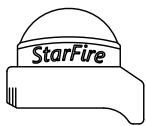
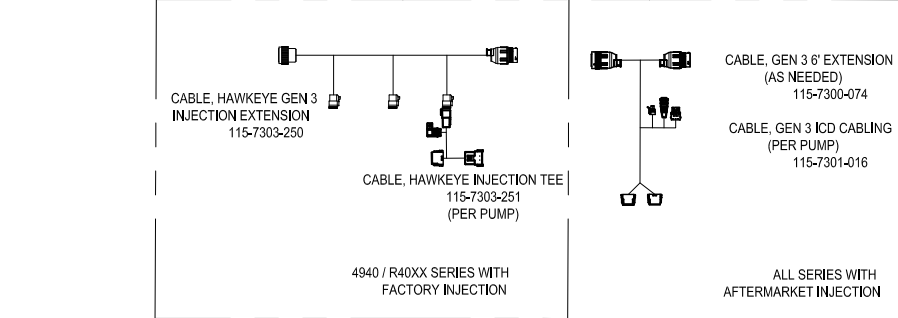
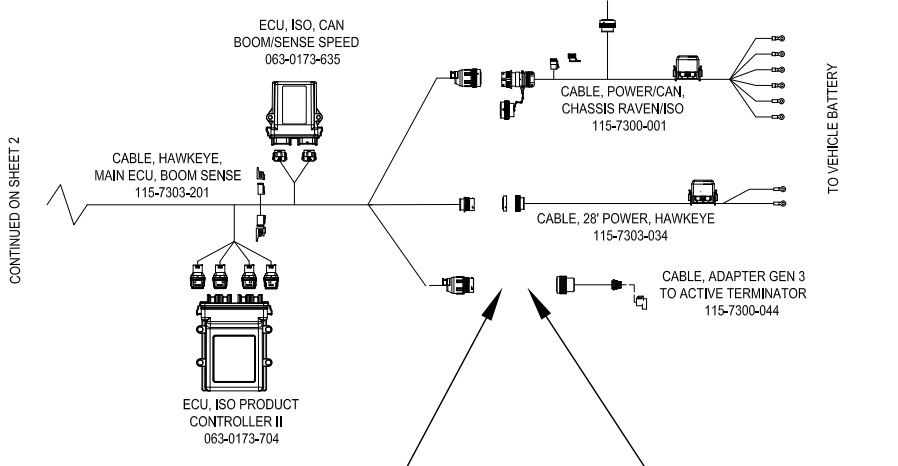
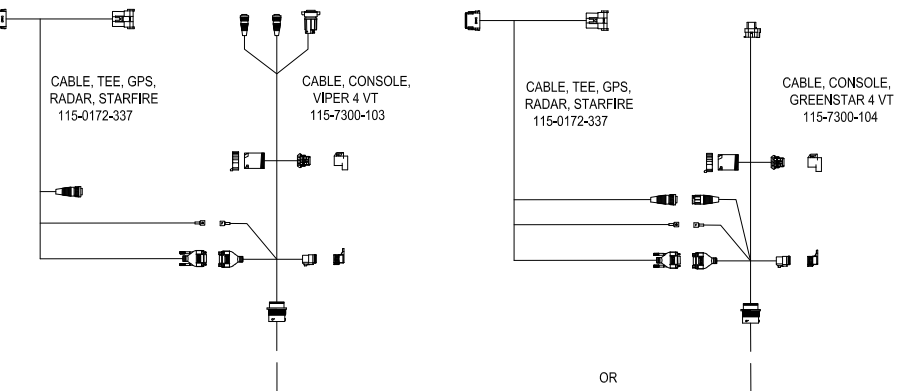


HAWKEYE, JOHN DEERE

BASE KIT		117-1007-090
BASE KIT, JD 4000 SERIES SPRAYERS		
CAB KIT (CHOOSE ONE)		117-1007-088
VIPER 4+ JD 2630		
INTERFACE CABLE (R SERIES CHOOSE ONE*)		115-7347-027
7 SECTION INTERFACE CABLE		
9 SECTION INTERFACE CABLE		115-7347-028
11 SECTION INTERFACE CABLE		115-7347-029
OPTIONS		077-0180-161
HAWKEYE HD UNLOCK		
TANK FILL MONITOR KIT		117-0171-854
RAVEN SERVICE TOOL KIT		117-0171-464
*20/30/40 SERIES INTERFACE CABLES ARE INCLUDED IN APPROPRIATE BOOM KIT		
ORDER BOOM KIT FROM TABLE BELOW		



BOOM KIT			
DESCRIPTION	SERIAL NUMBER	BOOM CONFIGURATION	KIT NUMBER
JD 4630	ALL	80' 15" STANDARD FLOW	117-1007-091
JD 4630	ALL	80' 20" STANDARD FLOW	117-1007-092
JD 4720	ALL	90' 15" STANDARD FLOW	117-1007-122
JD 4730/4830	BSN 2000	90' 15" STANDARD FLOW	117-1007-093
JD 4730/4830	ASN 2000	90' 15" STANDARD FLOW	117-1007-093
JD 4720	ALL	90' 20" STANDARD FLOW	117-1007-123
JD 4730/4830	BSN 2000	90' 20" STANDARD FLOW	117-1007-123
JD 4730/4830	ASN 2000	90' 20" STANDARD FLOW	117-1007-094
JD 4720	ALL	90' 15" HIGH FLOW	117-1007-124
JD 4730/4830	BSN 2000	90' 15" HIGH FLOW	117-1007-095
JD 4730/4830	ASN 2000	90' 15" HIGH FLOW	117-1007-095
JD 4720	ALL	90' 20" HIGH FLOW	117-1007-125
JD 4730/4830	BSN 2000	90' 20" HIGH FLOW	117-1007-125
JD 4730/4830	ASN 2000	90' 20" HIGH FLOW	117-1007-096
JD 4720	ALL	100' 15" STANDARD FLOW	117-1007-126
JD 4730/4830	BSN 2000	100' 15" STANDARD FLOW	117-1007-126
JD 4730/4830	ASN 2000	100' 15" STANDARD FLOW	117-1007-097
JD 4720	ALL	100' 20" STANDARD FLOW	117-1007-127
JD 4730/4830	BSN 2000	100' 20" STANDARD FLOW	117-1007-127
JD 4730/4830	ASN 2000	100' 20" STANDARD FLOW	117-1007-098
JD 4720	ALL	100' 15" HIGH FLOW	117-1007-128
JD 4730/4830	BSN 2000	100' 15" HIGH FLOW	117-1007-128
JD 4730/4830	ASN 2000	100' 15" HIGH FLOW	117-1007-099
JD 4720	ALL	100' 20" HIGH FLOW	117-1007-129
JD 4730/4830	BSN 2000	100' 20" HIGH FLOW	117-1007-129
JD 4730/4830	ASN 2000	100' 20" HIGH FLOW	117-1007-100
JD 4920/4930	ALL	120' 15" STANDARD FLOW	117-1007-101
JD 4920/4930	ALL	120' 20" STANDARD FLOW	117-1007-102
JD 4920/4930	ALL	120' 15" HIGH FLOW	117-1007-103
JD 4920/4930	ALL	120' 20" HIGH FLOW	117-1007-104
JD 4940	ALL	120' 15" STANDARD FLOW	117-1007-105
JD 4940	ALL	120' 20" STANDARD FLOW	117-1007-106
JD 4940	ALL	120' 15" HIGH FLOW	117-1007-107
JD 4940	ALL	120' 20" HIGH FLOW	117-1007-108
JD R40XX	ALL	90' 15" STANDARD FLOW	117-1007-109
JD R40XX	ALL	90' 20" STANDARD FLOW	117-1007-110
JD R40XX	ALL	90' 15" HIGH FLOW	117-1007-111
JD R40XX	ALL	90' 20" HIGH FLOW	117-1007-112
JD R40XX	ALL	100' 15" STANDARD FLOW	117-1007-113
JD R40XX	ALL	100' 20" STANDARD FLOW	117-1007-114
JD R40XX	ALL	100' 15" HIGH FLOW	117-1007-115
JD R40XX	ALL	100' 20" HIGH FLOW	117-1007-116
JD R40XX	ALL	120' 15" STANDARD FLOW	117-1007-117
JD R40XX	ALL	120' 20" STANDARD FLOW	117-1007-118
JD R40XX	ALL	120' 15" HIGH FLOW	117-1007-119
JD R40XX	ALL	120' 20" HIGH FLOW	117-1007-120
JD R40XX	ALL	132' 20" HIGH FLOW	117-1007-121

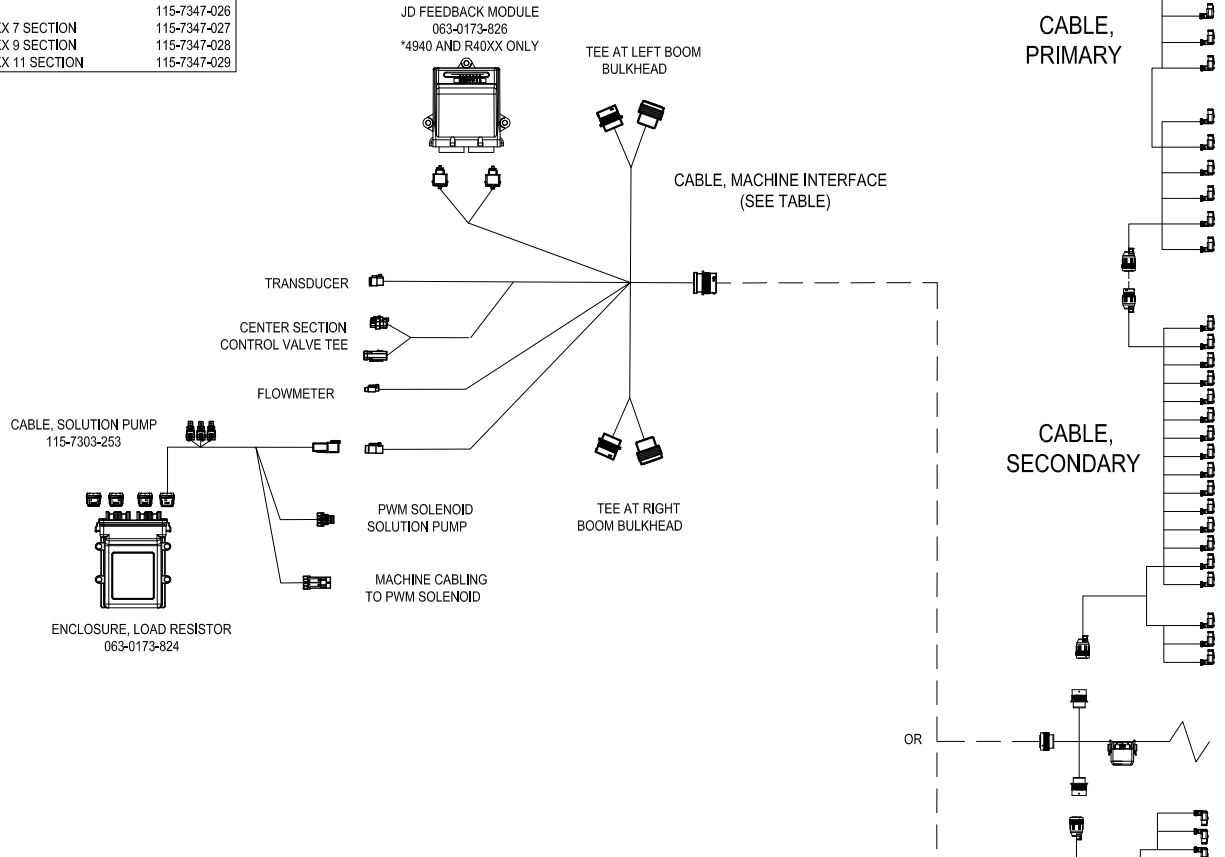


4940/R SERIES ICD	
LOW VOLUME ICD W/OUT TANK	063-0173-768
HIGH VOLUME ICD W/OUT TANK	063-0173-769
ICD MAIN CABLE	115-7303-250
ICD BRANCH CABLE (PER ICD)	115-7303-251
ICD ADD ON	
LOW VOLUME ICD W/OUT TANK	063-0173-768
HIGH VOLUME ICD W/OUT TANK	063-0173-769
LOW VOLUME ICD W/ TANK	063-0173-771
HIGH VOLUME ICD W/ TANK	063-0173-772
GEN 3 ICD CABLING (PER ICD)	115-7301-016
GEN 3 6' EXTENSION	115-7300-074

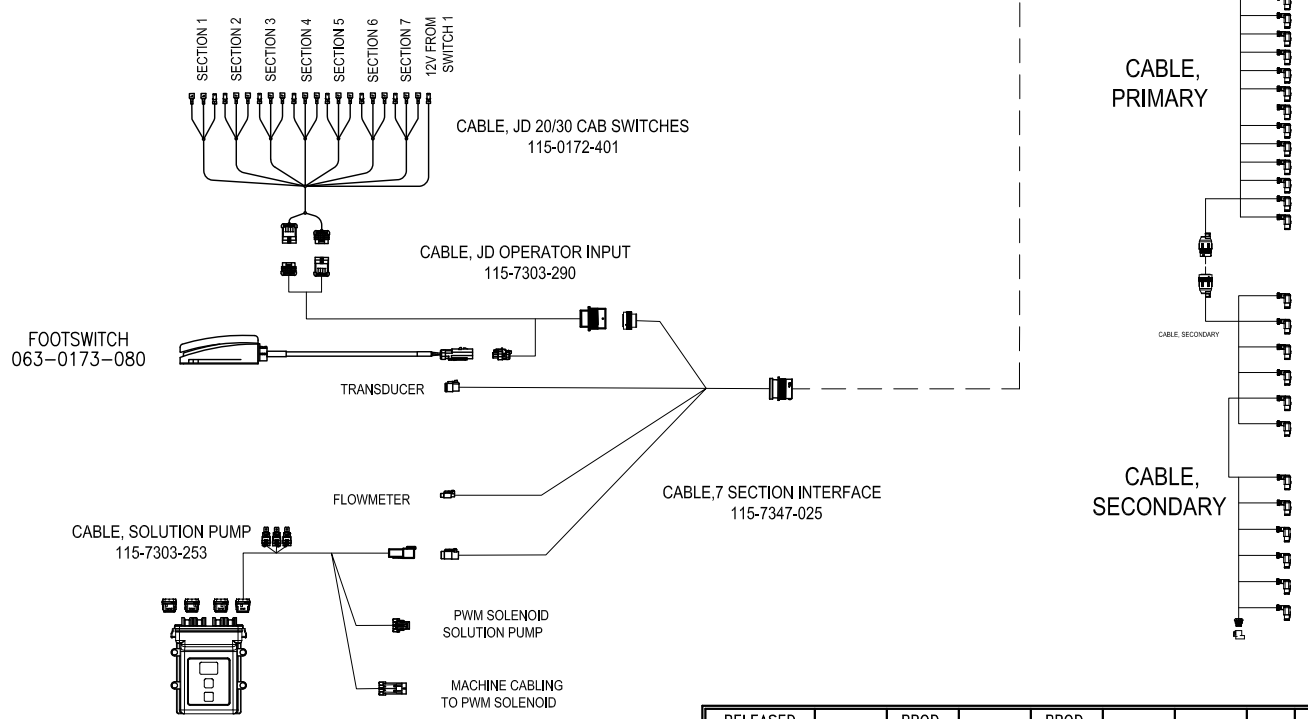
RELEASED DATE	ECO NO.	PROD. MGR.	SERV.	PROD. CHAMP.	ENG.	DRAFT.	REV.	DRAWING NO.
7/6/16	28142	NGL	CCR	-	BJH2	RRS	B	054-1005-009
8/11/16	28303	-	CCR	-	BJH2	RRS	C	054-1005-009

MACHINE INTERFACE FOR 4630, 4730/4830 ASN 2000, 4940, R40XX

INTERFACE CABLE	
JD 4630	115-7347-023
JD 4730/4830 ASN 2000	115-7347-024
JD 4940	115-7347-026
JD R40XX 7 SECTION	115-7347-027
JD R40XX 9 SECTION	115-7347-028
JD R40XX 11 SECTION	115-7347-029



MACHINE INTERFACE FOR 4X20, 4730/4830 BSN 2000, 4930



RELEASED DATE	ECO NO.	PROD. MGR.	SERV.	PROD. CHAMP.	ENG.	DRAFT.	REV.	DRAWING NO.
7/6/16	28142	NGL	CCR	-	BJH2	RRS	B	054-1005-009
8/11/16	28303	-	CCR	-	BJH2	RRS	C	054-1005-009