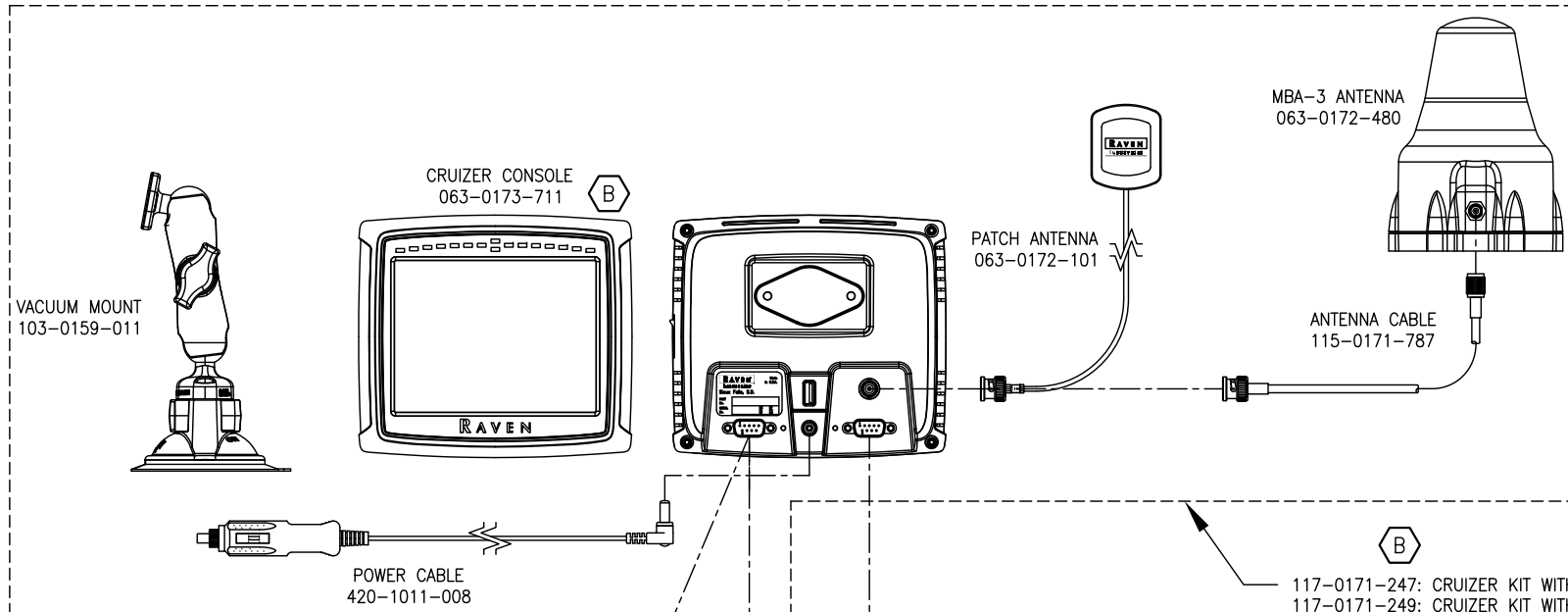
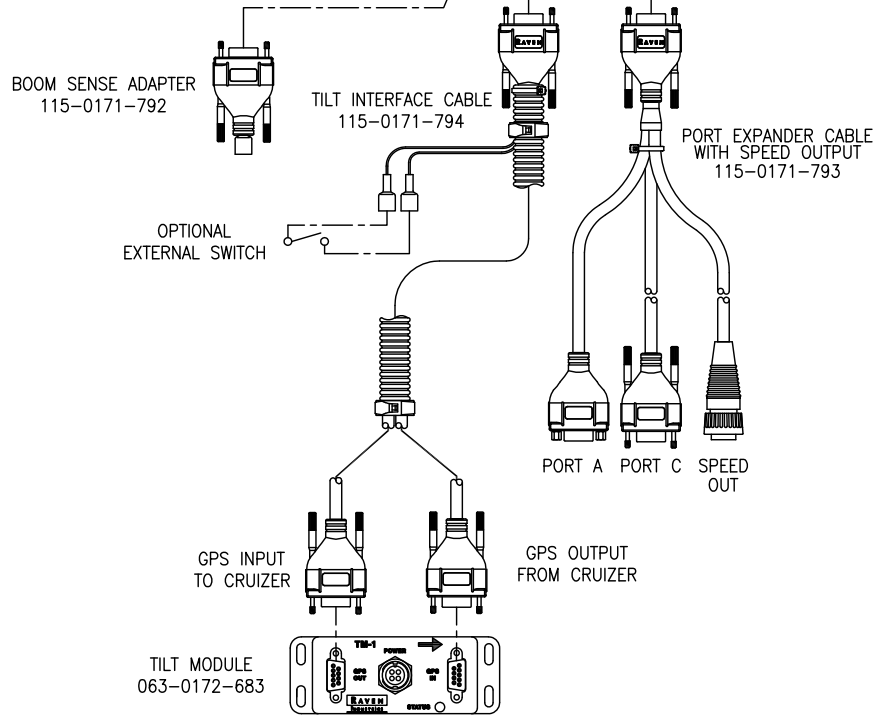


# CRUIZER SYSTEM DRAWING, KITS AND CABLE OPTIONS



117-0171-247: CRUIZER KIT WITH PATCH ANTENNA  
117-0171-249: CRUIZER KIT WITH HELIX ANTENNA



ECO NO.	ORIGIN.	SERV. MGR.	PROD. CHAMP.	ENG.	DRAFT.	REV.	DRAWING NO.
E12870	LAA1	TAC	RHL	LAA1	MAP	A	054-2200-005
26256	DAS	SAH	NGL	DAS	RRS	B	054-2200-005