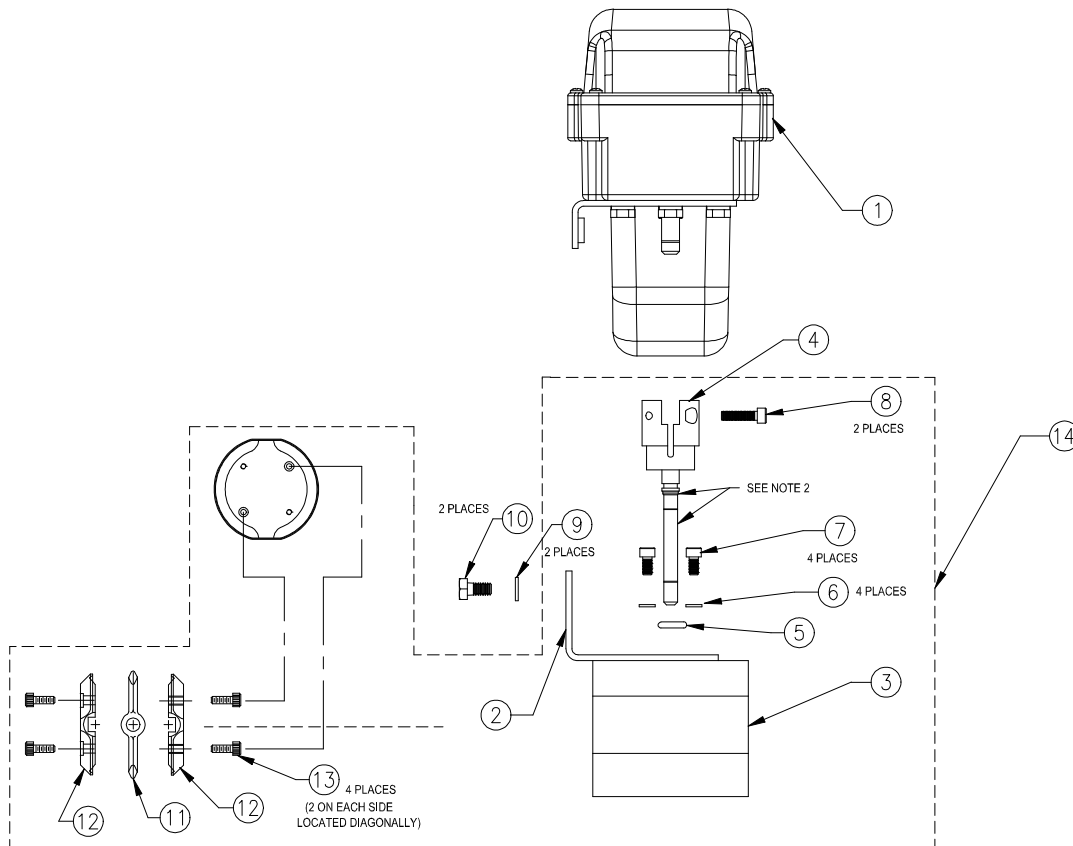


3" STAINLESS STEEL BUTTERFLY VALVE REPLACEMENT PARTS

063-0172-181, Control Valve
063-0172-182, On/Off Valve

ITEM	DESCRIPTION	RAVEN PART #
1	Motor Assembly, Control Valve Motor Assembly, On/Off Valve	063-0172-144 063-0172-145
2	Bracket	107-0171-404
3	Body	107-0171-430
4	Stem	107-0171-406
5	O-Ring	219-0000-026
6	Washer, Split Lock #10	313-1000-036
7	Screw, Socket Head Cap, #10-32 x 3/8"	311-0068-177
8	Screw, Socket Head Cap, #10-32 x 3/4"	311-0068-188
9	Washer, Split Lock, 1/4"	313-1000-017
10	Bolt, Hex, 1/4-20	311-0050-201
11	Seal	219-0000-068
12	Butterfly, Tapped Half	107-0171-429
13	Screw, Socket Head Cap, #8-32 x 1/2"	311-0068-176
14	Bracket/Valve Assembly	063-0172-157



To Assemble:

1. Assemble items 11 thru 13 loosely. Install into body (item 3). Make sure this is turned exactly in the fully closed position.
2. Apply lubricant to stem. Assemble o-ring (item 5) in groove of stem.
3. Slide stem into body (item 3). Make sure stem is in exact position as shown above. Tighten item 13. Fasten item 8 to stem loosely.
4. Assemble bracket to body using items 6 & 7.
5. Assemble valve/bracket to motor assembly using items 9 & 10.
6. Tighten cap screws (item 8).