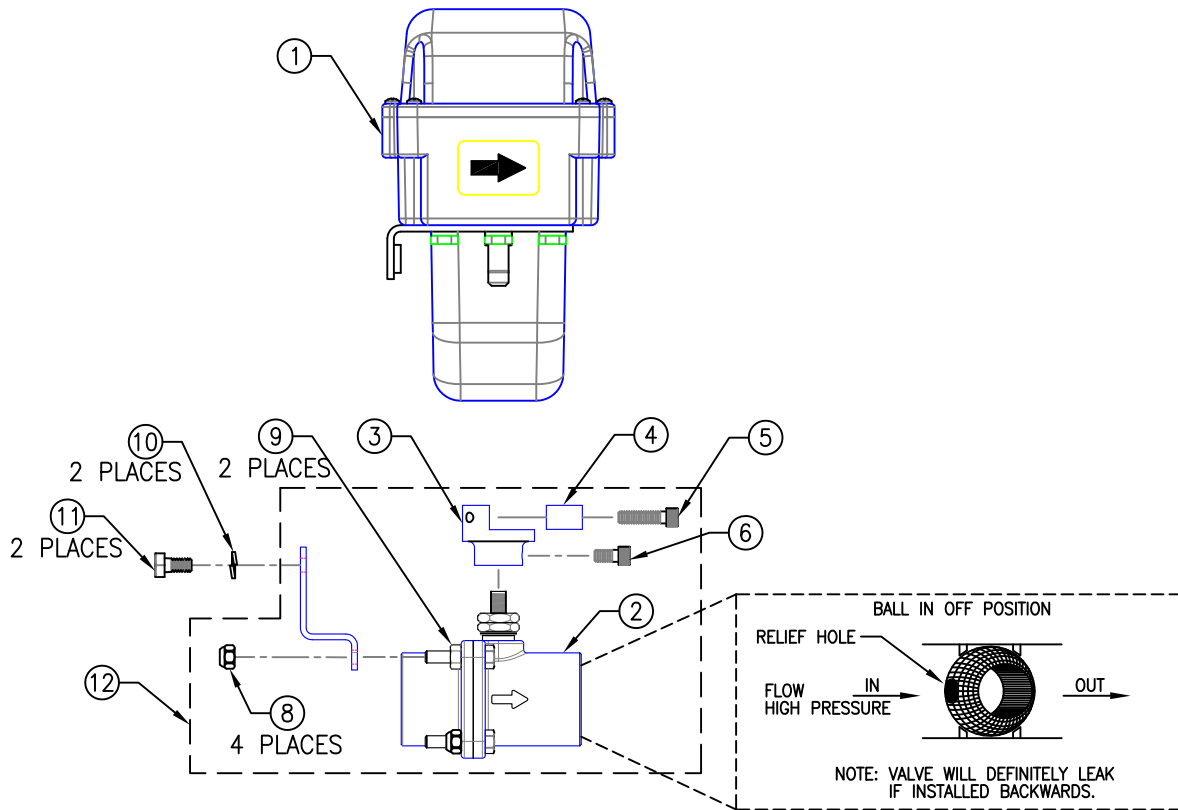


1" BALL VALVE REPLACEMENT PARTS

063-0172-171

ITEM	DESCRIPTION	RAVEN PART #
1	Motor Assembly, Satloc	063-0172-147
2	1" Ball Valve	063-0173-257
3	Coupler	107-0171-393
4	Clamp, Coupler	107-0171-394
5	Screw, Cap, 1/4-20 x 1"	311-0073-068
6	Screw, Cap, 1/4-20 x 1/2"	311-0073-064
7	Bracket	107-0171-891
8	Nut, Lock	312-4000-164
9	Nut, 1/4-20	312-1001-033
10	Washer, Split Lock	313-1000-017
11	Bolt, Hex, 1/4-20 x 1/2"	311-0050-201
12	Valve/Bracket Assembly	063-0173-256
13	Seal/Packing Kit (Not Shown)	117-0171-355



TO ASSEMBLE:

1. Run motor assembly to fully closed position. Also, make sure ball valve is closed.
2. Assemble bracket to valve.
3. Thread coupler on ball valve the entire way, then back off (no more than 1 turn) until coupler is in position shown above. Tighten cap screw (item 6).
4. Assemble Valve/Bracket to motor assembly using items 10 & 11.
5. Tighten the two cap screws (item 5).

054-0159-233
 7/13 REV. B
 SHEET 1 OF 1
 E21849