

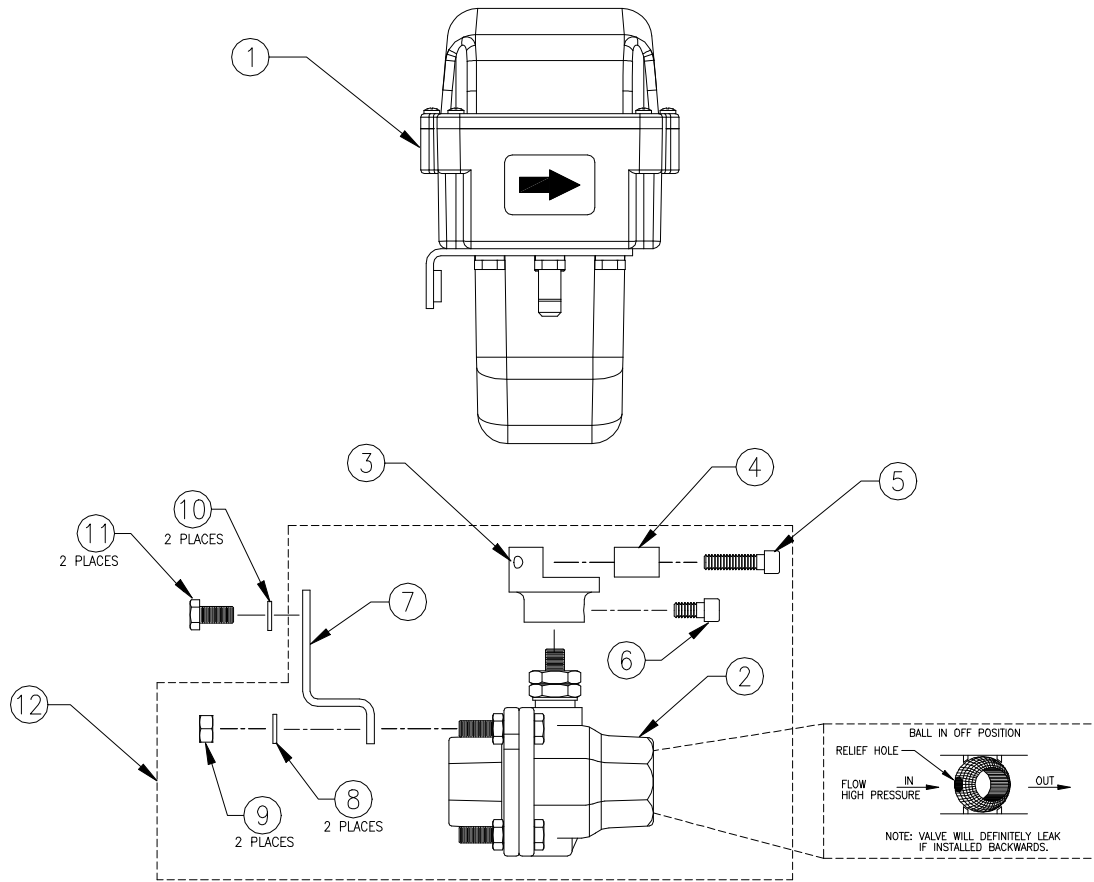
# 1" BALL VALVE REPLACEMENT PARTS

063-0172-168, Control Valve

063-0172-169, On/Off Valve

063-0172-170, Fast Valve

ITEM	DESCRIPTION	RAVEN PART #
1	Motor Assembly, Control Valve	063-0172-144
	Motor Assembly, On/Off Valve	063-0172-145
	Motor Assembly, Fast Valve	063-0172-146
2	1" Ball Valve	334-0001-010
3	Coupler	107-0171-393
4	Clamp, Coupler	107-0171-394
5	Screw, Cap, 1/4-20 x 1"	311-0068-068
6	Screw, Cap, 1/4-20 x 1/2"	311-0068-064
7	Bracket	107-0171-395
8	Washer, Split Lock	313-1000-037
9	Nut, 1/4-20	312-1001-074
10	Washer, Split Lock	313-1000-017
11	Bolt, Hex, 1/4-20 x 1/2"	311-0050-201
12	Valve/Bracket Assembly	063-0172-151
13	Seal/Packing Kit (Not Shown)	117-0159-410



## To Assemble:

1. Run motor assembly to fully closed position. Also, make sure ball valve is closed.
2. Assemble bracket to valve.
3. Thread coupler on ball valve the entire way, then back off (no more than 1 turn) until coupler is in position shown above. Tighten cap screw (item 6).
4. Assemble Valve/Bracket to motor assembly using items 10 & 11.
5. Tighten the two cap screws (item 5).