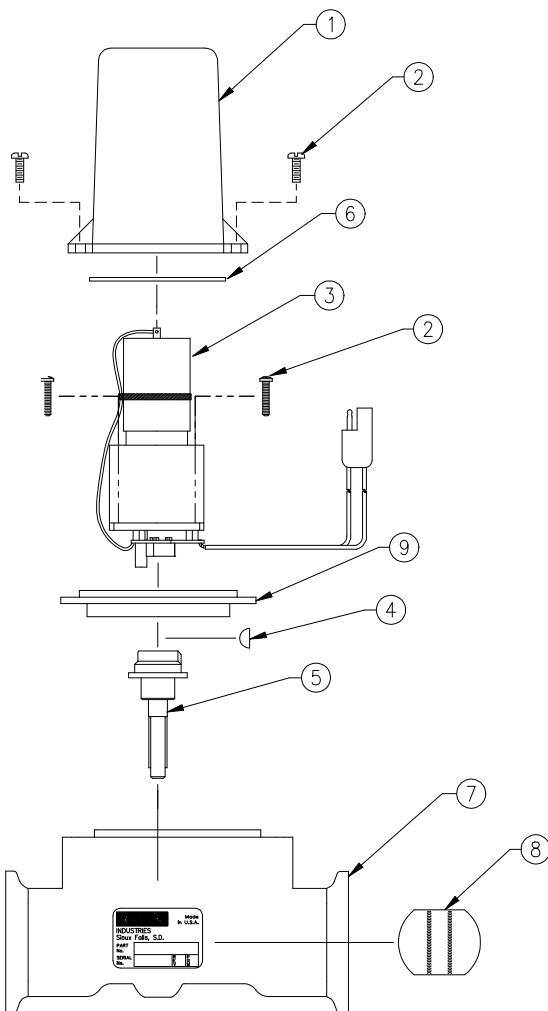


1 1/2" POLY CONTROL VALVE REPLACEMENT PARTS

063-0171-894

| ITEM | DESCRIPTION | RAVEN PART # |
|------|------------------------------------------|--------------|
| 1 | Valve Cover | 106-0159-407 |
| 2 | #6-32 x 3/4" Lg. Screw | 321-0000-256 |
| 3 | Motor Assembly | 063-0159-409 |
| 4 | Woodruff Key | 321-0000-062 |
| 5 | Coupler Shaft Assembly (1 1/2" Valve) | 063-0171-893 |
| 6 | Seal Tetraseal | 219-0000-020 |
| 7 | Valve Body Assembly (1 1/2" Valve) | 063-0171-892 |
| 8 | Butterfly (1 1/2" Valve) | 106-0159-414 |
| 9 | Isolation Flange Assembly | 063-0159-457 |
| 10 | *Iso-Body Kit (1 1/2" Valve) (Not Shown) | 117-0159-739 |
| 11 | *Polarity Reversal Jumper (Not Shown) | 115-0159-415 |
| 12 | Loctite RC-609 (Not Furnished) | 222-1001-050 |

***NOT SUPPLIED WITH STANDARD UNIT**



When servicing Valve:

Replace valve body with iso-body kit (item 10) if valve has been leaking internally.

Replace motor assembly if the motor will not run.

Before reassembling valve, remove the coupler shaft from the valve body. Apply Loctite (item 12) to coupler shaft and woodruff key. Place the coupler shaft (item 5) and the woodruff key (item 4) onto the motor shaft. Plug motor into the valve connector coming from Sprayer Control Console. Check that the motor rotates in both directions. Motor must stop when coupler shaft CAM releases printed circuit board button.

When reassembling valve, grease both sealing surfaces of coupler shaft. Insert coupler shaft into iso-flange and be sure seal properly seats on shaft. Install motor on valve body and apply silicon sealant to mounting holes. Reassemble remaining items as shown in parts diagram.

RAVEN INDUSTRIES, INC.