

Installation Instructions: Replacing Old Style RFM 200P with New RFM 200P

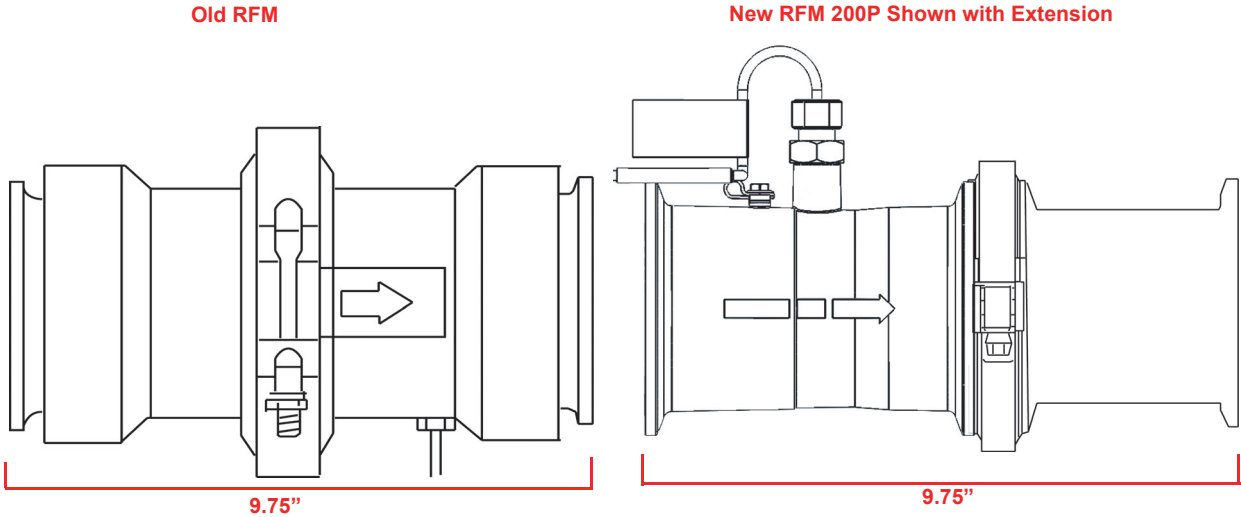
This quick guide provides directions on replacing an old style Raven Flow Meter (RMF) 200P with a new RFM 200P when extension plumbing is required to equal the old RFM 200P length. Extension plumbing is not provided by Raven.

The table below provides the old RFM 200P part numbers and the appropriate replacement RFM 200P part number.

TABLE 1. Old and Replacement RFM 200P Part Numbers

Old RFM 200P	Replacement RFM 200P
063-0159-751	063-0173-579 (Raven 3-Pin)
063-0159-963	063-0173-579 (Raven 3-Pin)
063-0171-642	063-0173-579 (Raven 3-Pin)
063-0171-692	063-0173-579 (Raven 3-Pin)
063-0171-826	063-0173-764 (DT)
063-0171-962	063-0173-579 (Raven 3-Pin)
063-0172-383	063-0173-762 (DTM)
063-0172-384	063-0173-762 (DTM)
063-0173-360	063-0173-764 (DT)
063-0173-400	063-0173-764 (DT)

FIGURE 1. Old and New RFM 200P

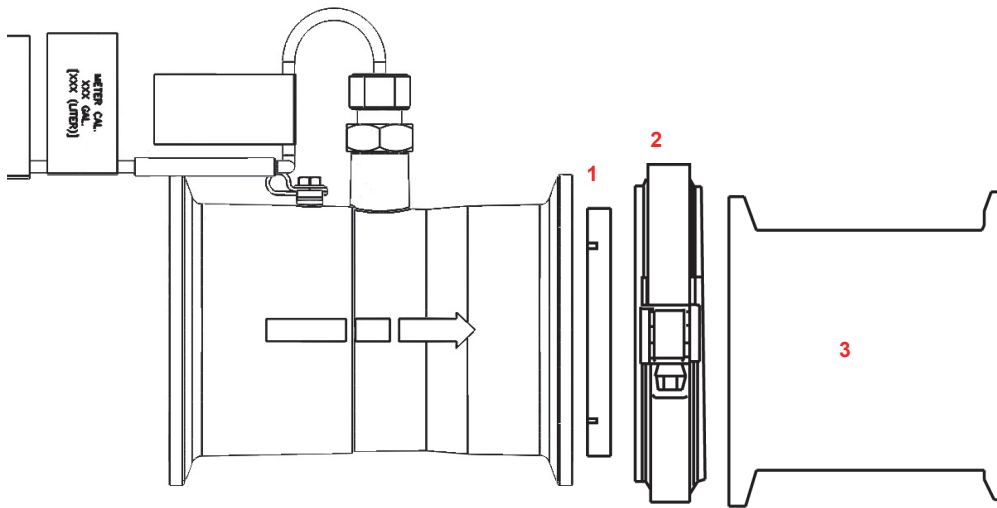


Replacement Instructions

TABLE 2. Banjo TEE Parts

Item Number	Quantity Required	Banjo P/N	Description
1	1	M301G	3" FP Manifold Gasket
2	1	FC300	3" FP Clamp
3	1	M300CPG	3" Manifold Coupling

FIGURE 2. RFM 200P Assembly



1. Assemble the parts as shown in Figure 2.
2. Tighten the clamps and inspect for leaks.