

Installation Instructions: Replacing Old Style RFM 100P with New RFM 100P

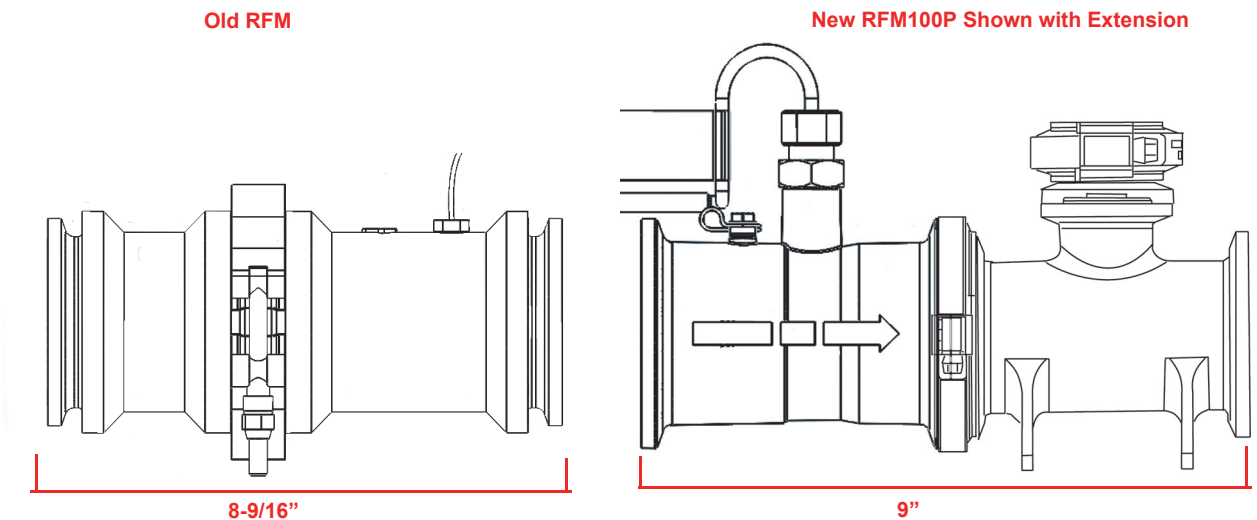
This quick guide provides directions on replacing an old style Raven Flow Meter (RFM) 100P with a new RFM 100P when extension plumbing is required to equal the old RFM 100P length. Extension plumbing is not provided by Raven.

The table below provides the old RFM 100P part numbers and the appropriate replacement RFM 100P part number.

TABLE 1. Old and Replacement RFM 100P Part Numbers

Old RFM 100P	Replacement RFM 100P
063-0171-066	063-0173-578 (Raven 3-Pin)
063-0171-623	063-0173-578 (Raven 3-Pin)
063-0171-641	063-0173-578 (Raven 3-Pin)
063-0171-824	063-0173-763 (DT)
063-0172-382	063-0173-761 (DTM)
060-0173-359	063-0173-763 (DT)
063-0173-480	063-0173-761 (DTM)
063-0173-661	063-0173-761 (DTM)

FIGURE 1. Old and New RFM 100P

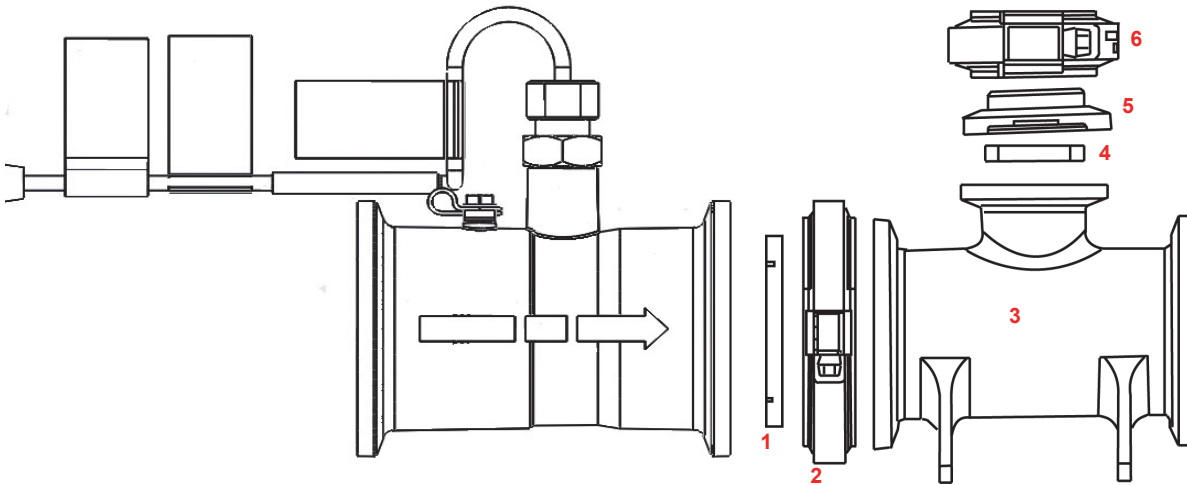


Replacement Instructions

TABLE 2. Banjo TEE Parts

Item Number	Quantity Required	Banjo P/N	Description
1	1	M221G	2" FP Manifold Gasket
2	1	FC220	2" FP Clamp
3	1	M220100TEE	2" FPX 1" Manifold TEE
4	1	M100G	1" Manifold Gasket
5	1	M100PLG	1" Manifold Plug
6	1	FC100	1" Clamp

FIGURE 2. RFM 100P Assembly



1. Assemble the parts as shown in Figure 2.
2. Ensure the Banjo TEE is “down stream” from the flow meter.
3. Tighten the clamps and inspect for leaks.