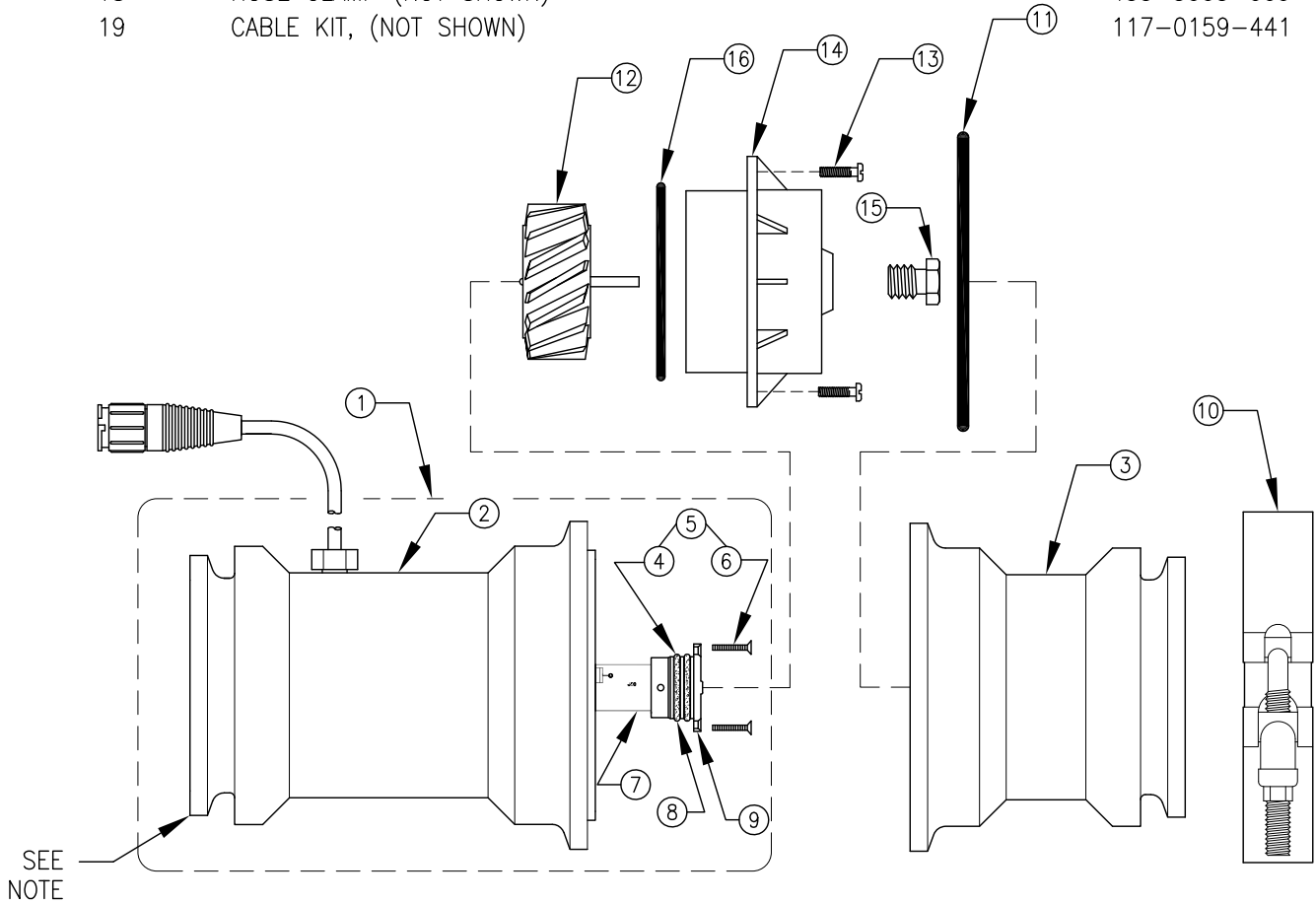


RFM POLY FLOW METER REPLACEMENT PARTS

063-0171-066

ITEM	DESCRIPTION	RAVEN PART #	
1	OUTLET HOUSING ASSEMBLY	063-0171-068	
2	OUTLET HOUSING	107-0171-006	
3	HUB HOUSING , INLET	107-0171-005	
SEE NOTE	4	END BEARING/P. C. ASSEMBLY	063-0171-069
	5	END BEARING/P. C. ASSEMBLY KIT	117-0159-567
	6	2-56 x 1/2" FLAT HD. S. S. SCREW	311-0013-390
	7	P. C. ASSEMBLY	064-0171-183
	8	O-RING, VITON	219-0002-018
	9	END BEARING ASSEMBLY	063-0173-056
	10	RETAINING CLAMP	435-3003-032
	11	O-RING VITON	219-0002-238
	12	RFM 100 TURBINE	063-0173-002
	13	6-20 x 1/2" PAN HD. S. S. SCREW	310-0002-133
	14	TURBINE HUB/BEARING ASSEMBLY	321-0000-222
	15	TURBINE STUD ASSEMBLY	063-0173-057
	16	O-RING, VITON	219-0002-140
	17	MOUNTING BRACKET, RFM 100 (NOT SHOWN)	107-0159-509
	18	HOSE CLAMP (NOT SHOWN)	435-3003-009
	19	CABLE KIT, (NOT SHOWN)	117-0159-441



NOTE:

END BEARING/PC ASSEMBLY, ITEMS 4 AND 5 WILL NOT FIT OLDER FLOWMETERS THAT DO NOT HAVE THE FLANGE MOUNTING FEATURE. FOR THESE FLOWMETERS, ORDER ITEM 1.

054-0159-056
8/10 REV. G
SHEET 1 OF 1