

4

3

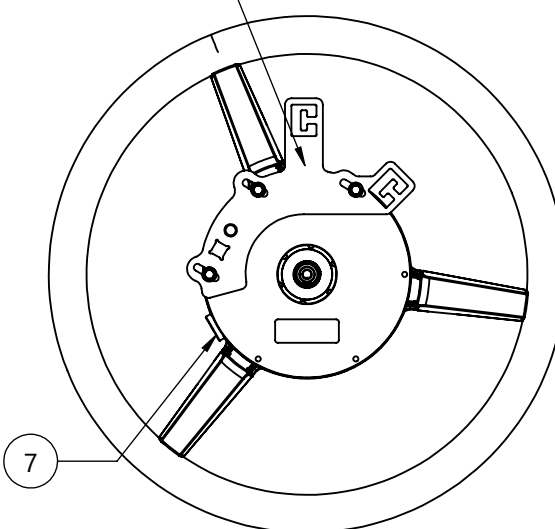
2

1

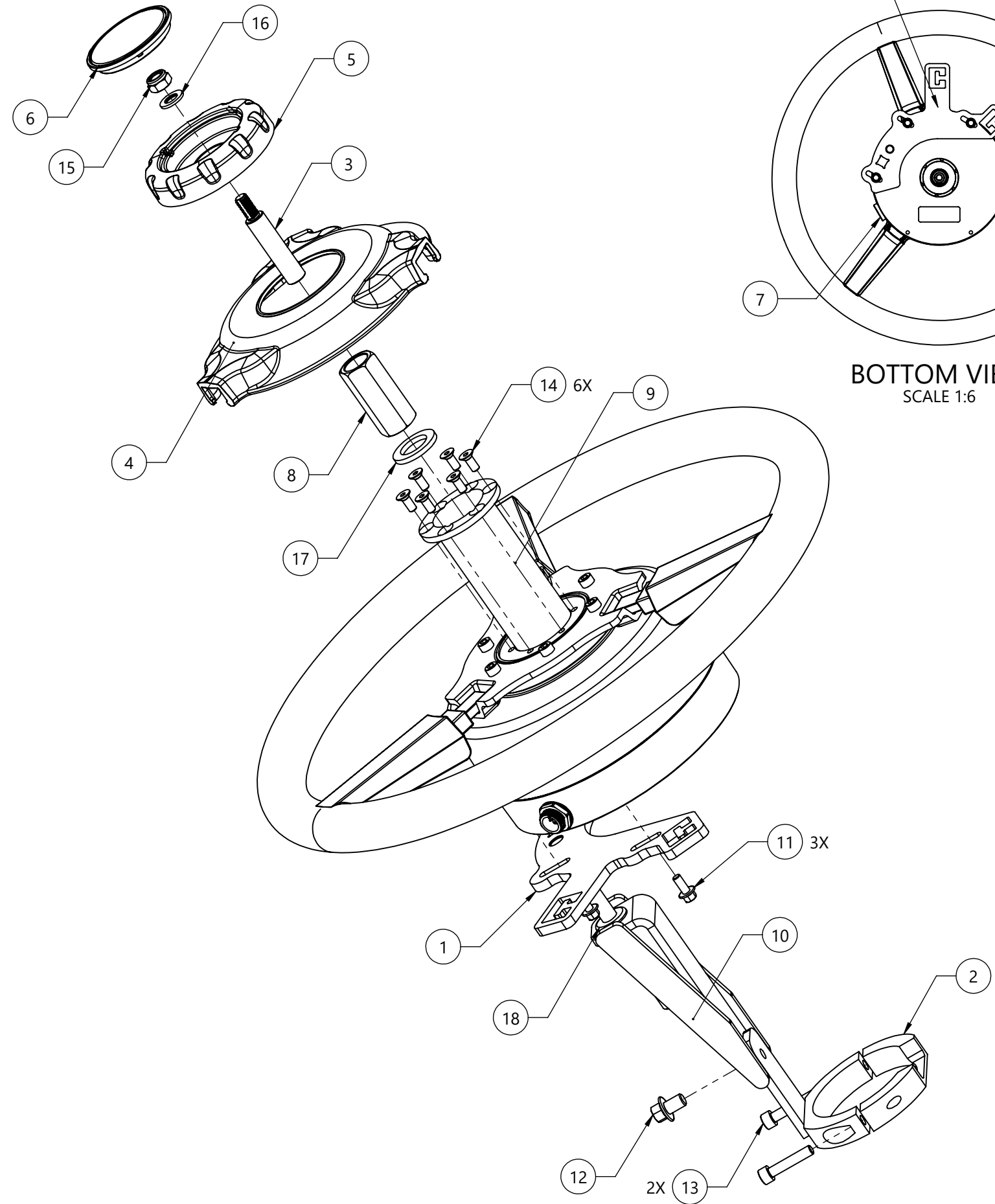
REVISIONS

| LTR. | ECO   | REVISION DESCRIPTION   | DATE     | APPROVED        | ZONE |
|------|-------|------------------------|----------|-----------------|------|
| A    | 48359 | INITIAL RELEASE        | 01/26/24 | B VAN DER GEEST |      |
| B    | 48897 | REPLACED ROTATION STEM | 03/27/24 | S KOLK          | A2   |

ELECTRICAL CONNECTION



BOTTOM VIEW  
SCALE 1:6



| ITM | QTY | PART NUMBER   | DESCRIPTION   | SPECIAL NOTE |
|-----|-----|---------------|---|--------------|
| 18  | 1   | 315-0000-034  | GROMMET, TYPE D, 10MM ID, 20MM OD, 16MM HOLE DIA.                             |              |
| 17  | 1   | 313-6000-128K | WASHER, ISO 7092, M18, STEEL, ZINC PLATED, 96 HR+                             |              |
| 16  | 1   | 313-6000-013K | WASHER, ISO 7089, M8, STEEL, ZINC PLATED, 96 HR+                              |              |
| 15  | 1   | 312-6001-027K | HEX NUT, NYLOCK, ISO 7040, M8-1.25, GRADE 8                                   |              |
| 14  | 6   | 311-4070-090K | SCREW, HEX SOCKET FLAT HEAD, DIN 7991, M5-0.8 X 12MM, 8.8 STEEL               |              |
| 13  | 2   | 311-4060-138K | SCREW, SHCS, ISO 4762, M6-1 X 30MM, 8.8 STEEL                                 |              |
| 12  | 1   | 311-4035-052K | FLANGED HEX BOLT, ISO 4162, M8-1.25 X 12MM, 8.8 STEEL                         |              |
| 11  | 3   | 311-4035-002K | FLANGED HEX BOLT, ISO 4162, M5-0.8 X 12MM, 8.8 STEEL                          |              |
| 10  | 1   | 116-4001-014  | DEUTZ WELDMENT GROMMET HOLDER   |              |
| 9   | 1   | 107-4050-011  | SPLINE ADAPTER, DIRECT DRIVE, 20MM, 36T, TAPERED, 100MM                       |              |
| 8   | 1   | 107-4001-091  | BRACKET, CCM, EXTENDED COLUMN NUT   |              |
| 7   | 1   | 107-0172-837  | BUTTON, DIRECSTEER, BLUE ANODIZED, RAVEN                                      |              |
| 6   | 1   | 106-0159-784  | KNOB COVER, ADJUSTABLE STEERING COLUMN  |              |
| 5   | 1   | 106-0159-783  | KNOB, ADJUSTABLE STEERING COLUMN  |              |
| 4   | 1   | 106-0159-781  | COVER, DIRECSTEER, RAVEN, ADJUSTABLE STEERING COLUMN                          |              |
| 3   | 1   | 063-4001-254  | TELESCOPE ADAPTER ASSEMBLY, M8, 65MM LONG                                     |              |
| 2   | 1   | 063-4001-099  | ASSEMBLY, DEUTZ, FLANGED COLUMN CLAMP   |              |
| 1   | 1   | 063-4001-102  | ASSEMBLY, ANTI-ROTATION STEM 125MM, MOUNTING PLATE 67MM, W/ CABLE ROUTING AID |              |

|  |  |   |  |   |                           |                              |               |
|--|--|---|--|---|---------------------------|------------------------------|---------------|
| <b>RELATED SPECIFICATIONS</b><br>ENG. DRAWING PRACTICES<br>ASME Y14.100-2013   |  |   |  | TITLE<br><b>INSTALL ASSEMBLY, SUPPLEMENTAL, DIRECSTEER, DEUTZ, TRACTOR GROUP 27</b> |                           |                              |               |
| USED ON: GUID. / STEERING  |  | RAVEN INDUSTRIES, INC.<br>SIOUX FALLS, SD 57104 |  | SIZE: B   | CODE: 14979               | DRAWING NUMBER: 054-5030-427 | REV: B        |
| PROPRIETARY AND CONFIDENTIAL INFORMATION OF RAVEN INDUSTRIES INC.<br>THIS DRAWING AND THE INFORMATION HEREON ARE RAVEN INDUSTRIES INC. PROPERTY AND MAY BE USED BY OTHERS ONLY AS AUTHORIZED IN WRITING BY RAVEN INDUSTRIES INC. - ALL RIGHTS RESERVED UNDER THE COPYRIGHT LAWS. |  |   |  | MATERIAL: SEE PARTS   | LIFECYCLE STATE: RELEASED | UNITS: METRIC                |               |
| EST. WEIGHT: 5.024 KG  |  |   |  | LOCATION: SF, SD  |                           | SCALE: 1:3                   | SHEET: 1 OF 1 |