

4

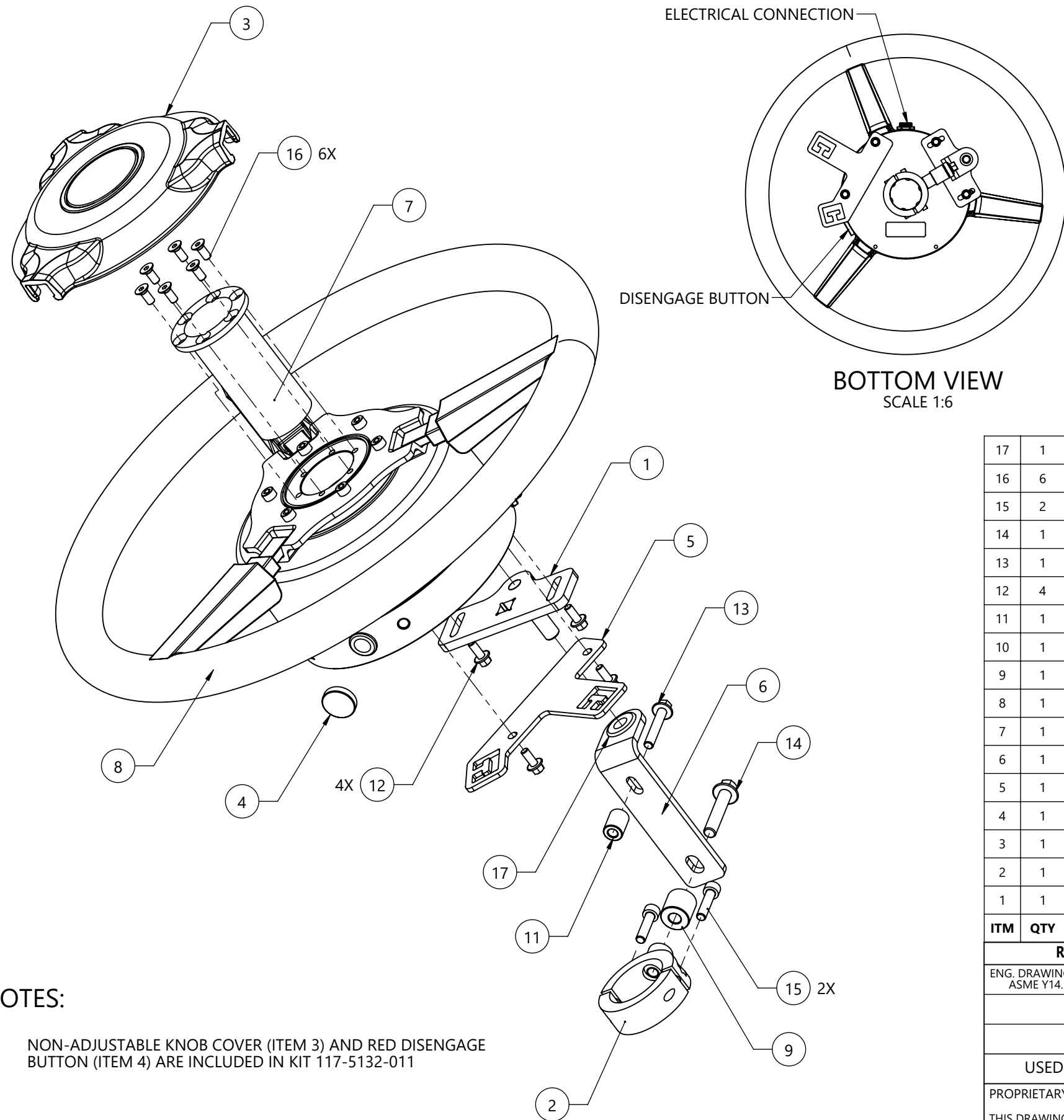
3

2

1

REVISIONS

LTR.	ECO	REVISION DESCRIPTION	DATE	APPROVED	ZONE
A	48560	INITIAL RELEASE	02/27/24	E BOSS	



BOTTOM VIEW
SCALE 1:6

ITM	QTY	PART NUMBER	DESCRIPTION	SPECIAL NOTE
17	1	315-0000-034	GROMMET, TYPE D, 10MM ID, 20MM OD, 16MM HOLE DIA.	
16	6	311-4070-090K	SCREW, HEX SOCKET FLAT HEAD, DIN 7991, M5-0.8 X 12MM, 8.8 STEEL	
15	2	311-4060-137K	SCREW, SHCS, ISO 4762, M6-1 X 25MM, 8.8 STEEL	
14	1	311-4035-058K	FLANGED HEX BOLT, ISO 4162, M8-1.25 X 40MM, 8.8 STEEL	
13	1	311-4035-032K	FLANGED HEX BOLT, ISO 4162, M6-1 X 35MM, 8.8 STEEL	
12	4	311-4035-002K	FLANGED HEX BOLT, ISO 4162, M5-0.8 X 12MM, 8.8 STEEL	
11	1	305-1001-014	SPACER, 1/4" ID X 1/2" OD X 11/16" LONG	
10	1	305-1001-013	SPACER, 1/4" ID x 5/8" OD x 1/2" LONG	NOT SHOWN
9	1	305-1001-012	SPACER, 5/16" ID X 3/4" OD X 3/4" LONG	
8	1	117-5030-318	KIT, DIRECSTEER MOTOR	
7	1	107-4050-021	SPLINE ADAPTER, DIRECT DRIVE, 17.5MM, 40T, TAPERED, 90MM	
6	1	107-4001-108	BRACKET, APH, GROMMET HOLDER	
5	1	107-4001-093	BRACKET, GENERIC, STEERING MOTOR CABLE ROUTING AID	
4	1	107-0172-865	BUTTON, DIRECSTEER, RED ANODIZED	
3	1	063-4001-071	KNOB COVER, NON-ADJUSTABLE STEERING COLUMN NON-BRANDED	
2	1	063-4001-052	ASSEMBLY, APH, THREADED PIPE COLUMN CLAMP	
1	1	063-4001-051	ASSEMBLY, ANTI-ROTATION STEM 40MM, MOUNTING PLATE 22.5MM	

NOTES:

- 1. NON-ADJUSTABLE KNOB COVER (ITEM 3) AND RED DISENGAGE BUTTON (ITEM 4) ARE INCLUDED IN KIT 117-5132-011

RELATED SPECIFICATIONS ENG. DRAWING PRACTICES ASME Y14.100-2013			TITLE INSTALL ASSEMBLY SUPPLEMENTAL, CNH EXPERIENCE, CNH TRACTOR GROUP 32			
USED ON: GUID. / STEERING			RAVEN INDUSTRIES, INC. SIOUX FALLS, SD 57104	SIZE: B CODE: 14979 DRAWING NUMBER: 054-5132-232	DATE: 02/20/24 APPROVED: E BOSS	REV: A
PROPRIETARY AND CONFIDENTIAL INFORMATION OF RAVEN INDUSTRIES INC. THIS DRAWING AND THE INFORMATION HEREON ARE RAVEN INDUSTRIES INC. PROPERTY AND MAY BE USED BY OTHERS ONLY AS AUTHORIZED IN WRITING BY RAVEN INDUSTRIES INC. - ALL RIGHTS RESERVED UNDER THE COPYRIGHT LAWS.			MATERIAL: SEE PARTS	LIFECYCLE STATE: RELEASED	UNITS: METRIC	
EST. WEIGHT: 4.305 KG.			LOCATION: SF, SD	SCALE: 1:3	SHEET: 1 OF 1	