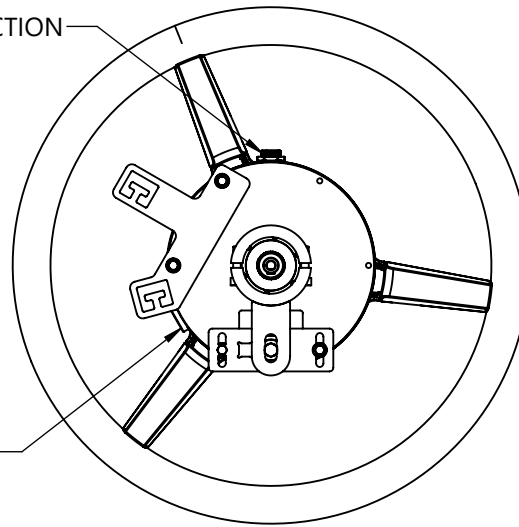
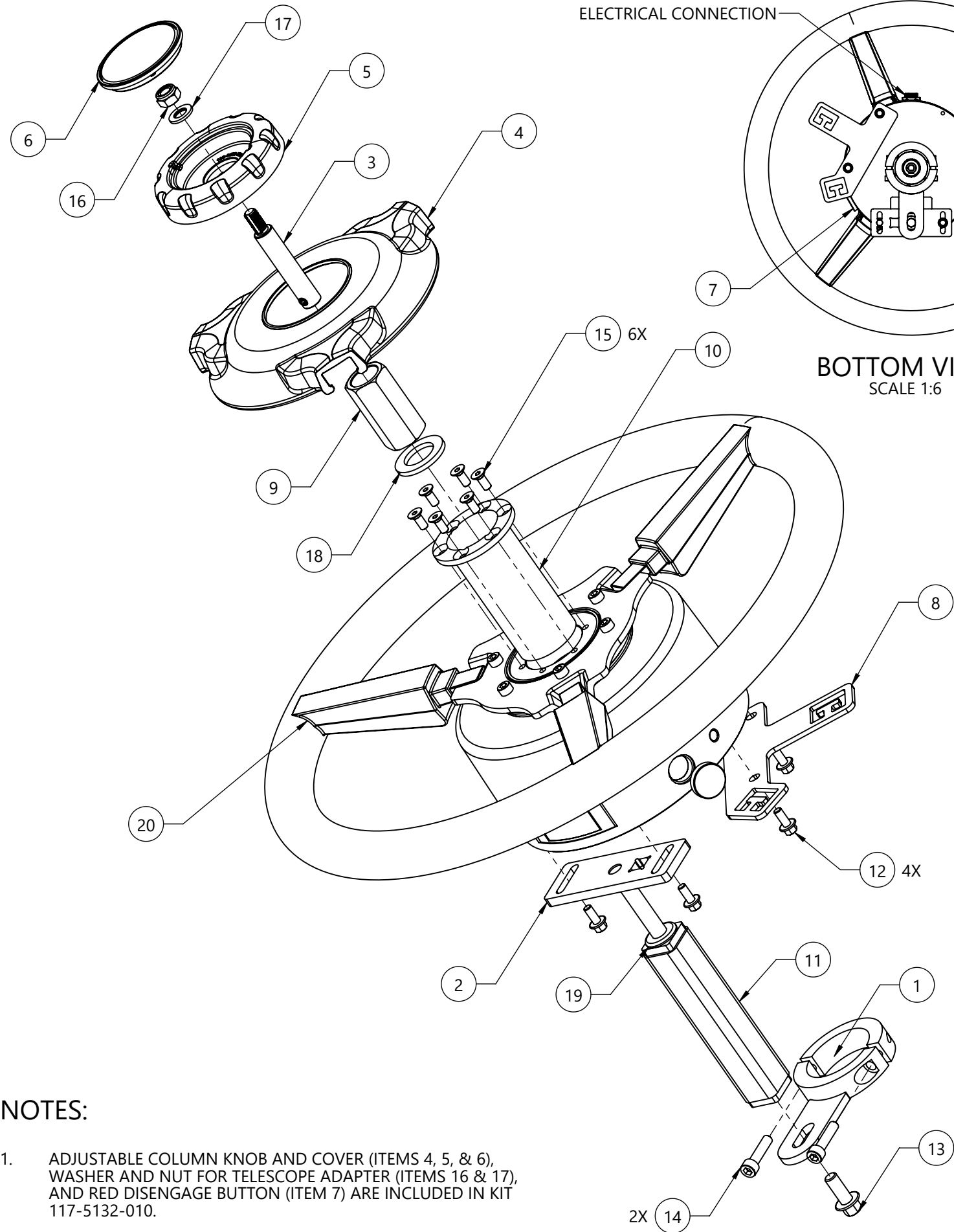


ELECTRICAL CONNECTION



**BOTTOM VIEW**  
SCALE 1:6



**REVISIONS**

LTR.	ECO	REVISION DESCRIPTION	DATE	APPROVED	ZONE
A	48566	INITIAL RELEASE	02/08/24	B PRCHAL	

ITM	QTY	PART NUMBER	DESCRIPTION	SPECIAL NOTE
20	1	117-5030-318	KIT, DIRECSTEER, MOTOR	
19	1	315-0000-034	GROMMET, TYPE D, 10MM ID, 20MM OD, 16MM HOLE DIA.	
18	1	313-6000-131K	WASHER, ISO 7092, M20, STEEL, ZINC PLATED, 96 HR+	
17	1	313-6000-013K	WASHER, ISO 7089, M8, STEEL, ZINC PLATED, 96 HR+	
16	1	312-6001-027K	HEX NUT, NYLOCK, ISO 7040, M8-1.25, GRADE 8	
15	6	311-4070-090K	SCREW, HEX SOCKET FLAT HEAD, DIN 7991, M5-0.8 X 12MM, 8.8 STEEL	
14	2	311-4060-137K	SCREW, SHCS, ISO 4762, M6-1 X 25MM, 8.8 STEEL	
13	1	311-4035-054K	FLANGED HEX BOLT, ISO 4162, M8-1.25 X 20MM, 8.8 STEEL	
12	4	311-4035-002K	FLANGED HEX BOLT, ISO 4162, M5-0.8 X 12MM, 8.8 STEEL	
11	1	116-4050-065	WELDMENT, GROMMET HOLDER, M8 X 130MM	
10	1	107-4050-013	SPLINE ADAPTER, DIRECT DRIVE, 7/8", 36T, TAPERED, 90MM	
9	1	107-4001-162	BRACKET, EXTENDED COLUMN NUT, 13/16 - 20	
8	1	107-4001-093	BRACKET, GENERIC, STEERING MOTOR CABLE ROUTING AID	
7	1	107-0172-865	BUTTON, DIRECSTEER, RED ANODIZED	
6	1	063-4001-070	KNOB COVER, ADJUSTABLE STEERING COLUMN NON-BRANDED	
5	1	106-0159-783	KNOB, ADJUSTABLE STEERING COLUMN	
4	1	106-0159-781	COVER, DIRECSTEER, RAVEN, ADJUSTABLE STEERING COLUMN	
3	1	063-4001-256	TELESCOPE ADAPTER ASSEMBLY, M8, 75MM LONG	
2	1	063-4001-073	ASSEMBLY, ANTI-ROTATION STEM 125MM, MOUNTING PLATE 0MM	
1	1	063-4001-072	ASSEMBLY, GROUP 10, FLANGED COLUMN CLAMP	

**NOTES:**

- ADJUSTABLE COLUMN KNOB AND COVER (ITEMS 4, 5, & 6), WASHER AND NUT FOR TELESCOPE ADAPTER (ITEMS 16 & 17), AND RED DISENGAGE BUTTON (ITEM 7) ARE INCLUDED IN KIT 117-5132-010.

<b>RELATED SPECIFICATIONS</b>		<b>RAVEN</b>		TITLE			
ENG. DRAWING PRACTICES ASME Y14.100-2013		RAVEN INDUSTRIES, INC. SIOUX FALLS, SD 57104		INSTALLATION ASSEMBLY, SUPPLEMENTAL, CNH EXPERIENCE, CNH, TRACTOR GROUP 10			
USED ON:	GUID. / STEERING	NAME	DATE	SIZE	CODE	DRAWING NUMBER	REV
		R SCHLICHT	02/08/24	B	14979	054-5132-210	A
PROPRIETARY AND CONFIDENTIAL INFORMATION OF RAVEN INDUSTRIES INC.		DRAWN		MATERIAL		LIFECYCLE STATE	
THIS DRAWING AND THE INFORMATION HEREON ARE RAVEN INDUSTRIES INC. PROPERTY AND MAY BE USED BY OTHERS ONLY AS AUTHORIZED IN WRITING BY RAVEN INDUSTRIES INC. - ALL RIGHTS RESERVED UNDER THE COPYRIGHT LAWS.		APPROVED		SEE PARTS		RELEASED	
		B PRCHAL		EST. WEIGHT:		UNITS	
				4.538 KG.		METRIC	
				LOCATION:		SCALE	
				SF, SD		1:3	
				SHEET		1 OF 1	