

4

3

2

1

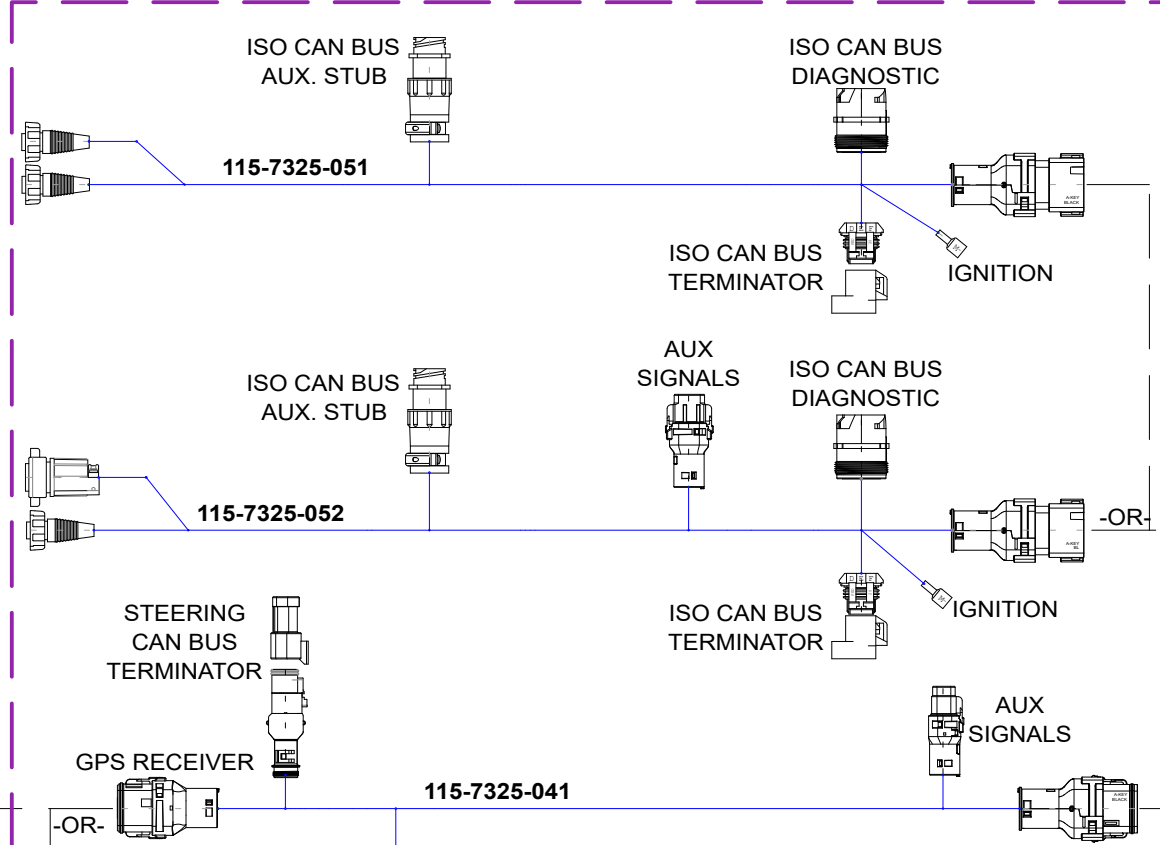
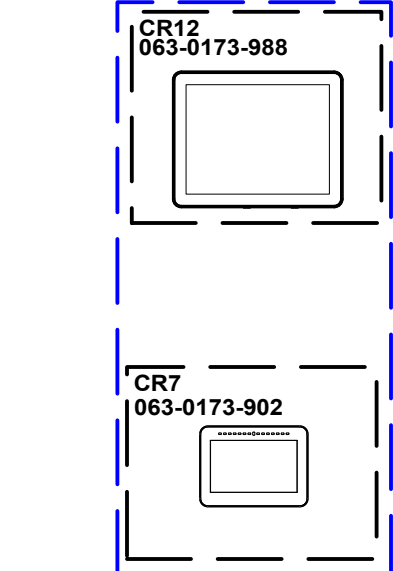
1. CONSOLE KIT

3. CONSOLE & RECEIVER HARNESS KIT

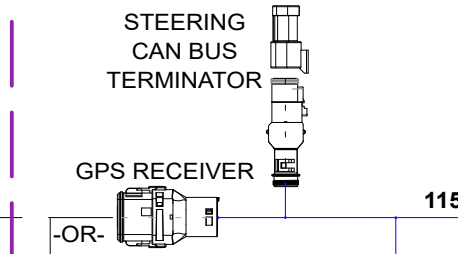
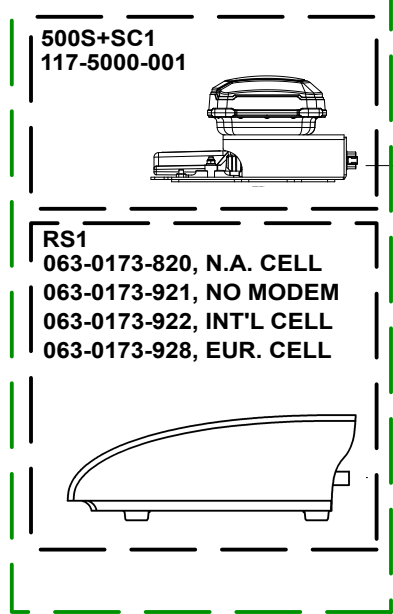
5. MACHINE COMPLETION KIT*

REVISIONS			
LTR.	ECO	DATE	APPROVED
A	47258	02/13/24	D GRONWOLD

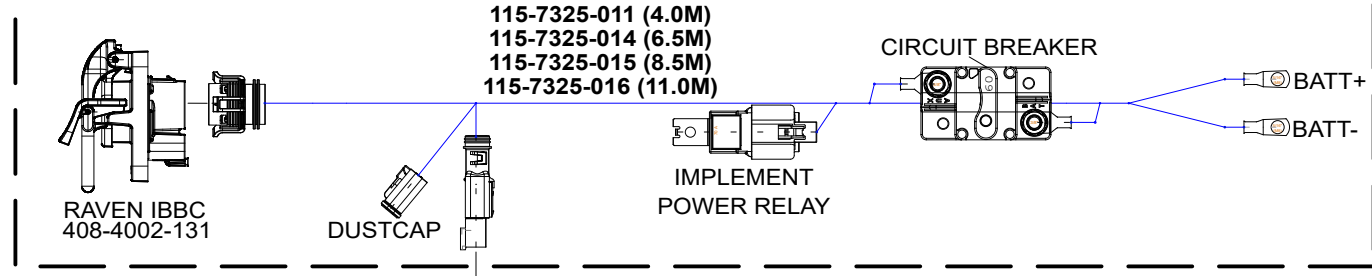
6. DIRECSTEER KIT



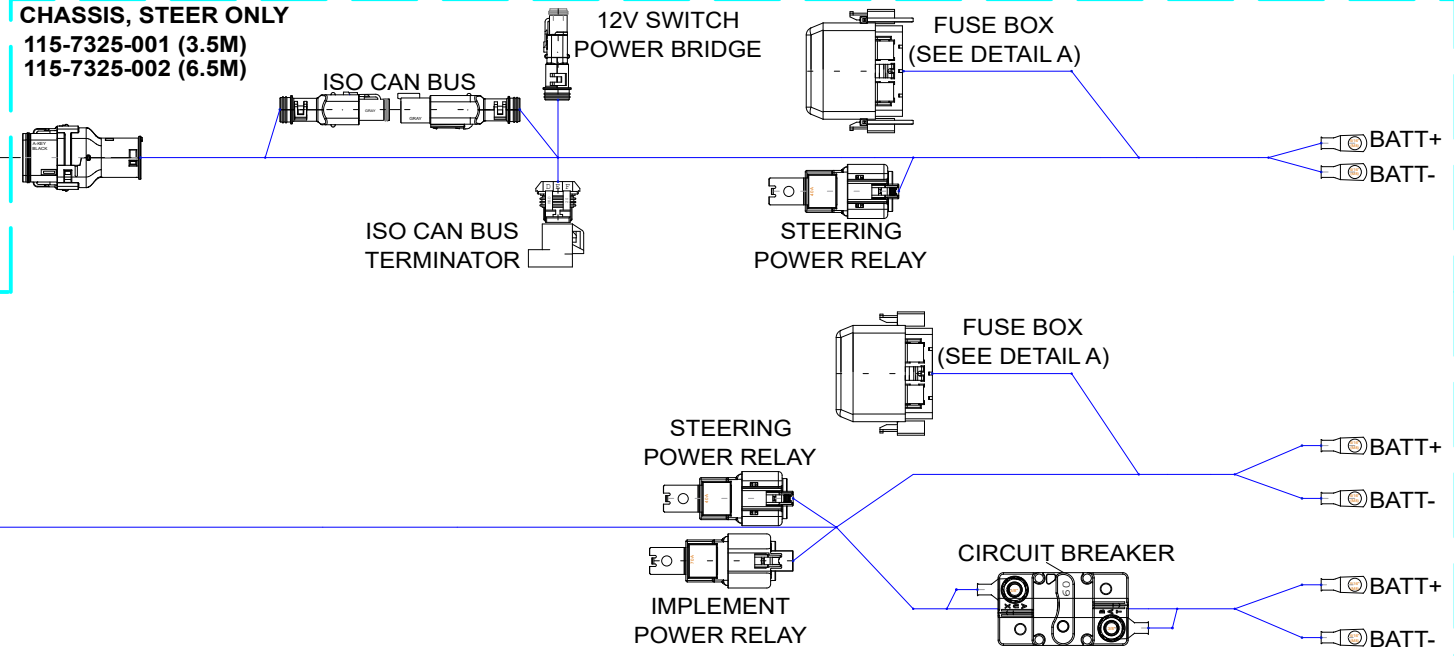
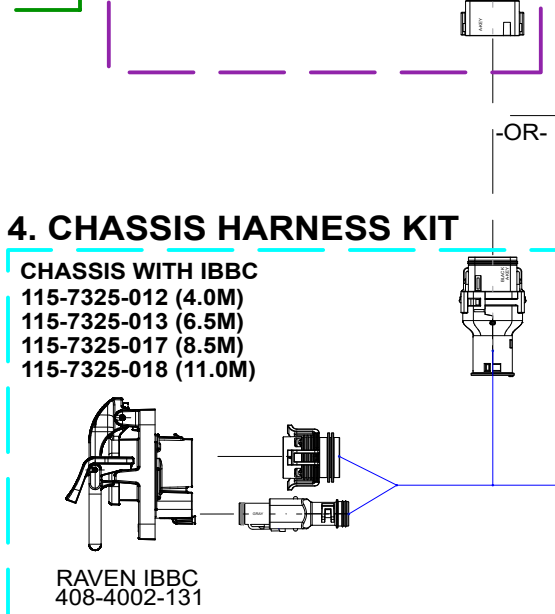
2. GPS KIT



OPTIONAL - IBBC EXPANSION CABLE

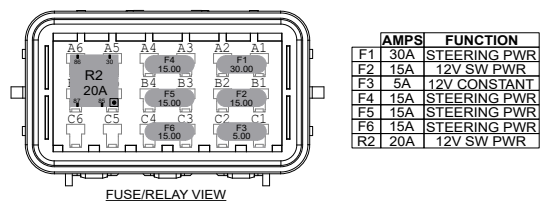


4. CHASSIS HARNESS KIT



- *NOT DEPICTED:
1. FABRICATED COMPONENTS FOR MOTOR INTEGRATION
 2. DISPLAY MOUNTING
 3. GPS RECEIVER MOUNTING
 4. CELLULAR ANTENNA MOUNTING
 5. OPERATOR PRESENCE CABLE

DETAIL A



RAVEN		TITLE	
RAVEN INDUSTRIES, INC. SIOUX FALLS, SD 57104		SYSTEM DIAGRAM, GEN 5 STEERING, DIRECSTEER	
DRAWN	KMS	DATE	08/14/23
SCALE	N/A	SHEET	1 OF 2
SIZE		DRAWING NUMBER	
B		054-7325-001	

PROPRIETARY AND CONFIDENTIAL INFORMATION OF RAVEN INDUSTRIES INC.
THIS DRAWING AND THE INFORMATION HEREON ARE RAVEN INDUSTRIES INC. PROPERTY AND
MAY BE USED BY OTHERS ONLY AS AUTHORIZED IN WRITING BY RAVEN INDUSTRIES INC.
- ALL RIGHTS RESERVED UNDER THE COPYRIGHT LAWS.

4

3

2

1

B

B

A

A

1. CONSOLE KIT

	Orderable Part Number	Key Sub Component(s)
CR12 CONSOLE KIT	117-2300-001	063-0173-988BUN
CR7 CONSOLE KIT	117-2295-014	063-0174-902NUN

2. GPS KIT

	Orderable Part Number	Key Sub Component(s)	RTK UNLOCK
500S & SC1/TC1	117-5000-001	063-2000-006 & 063-0173-990	
RS1 WITHOUT CELL MODEM	117-5001-023	063-0173-921BNS	
	117-5001-027	063-0173-921BMS	X
RS1 WITH NORTH AMERICAN CELL MODEM	117-5001-010	063-0173-820BNSC	
	117-5001-015	063-0173-820BMS	X
RS1 WITH GLOBAL CELL MODEM	117-5001-033	063-0173-922BNSC	
	117-5001-032	063-0173-922BMS	X
RS1 WITH EUROPEAN CELL MODEM	117-5001-038	063-0173-928BNSC	
	117-5001-037	063-0173-928BMS	X

3. CONSOLE & RECEIVER HARNESS KIT

	Orderable Part Number	Key Sub Component(s)
KIT, CR12 Display and Receiver Cabling	117-7325-331	115-7325-041
		115-7325-051
KIT, CR7 Display and Receiver Cabling	117-7325-332	115-7325-041
		115-7325-052

4. CHASSIS HARNESS KIT

	Orderable Part Number	Key Sub Component(s)	Notes
CABLE, 3.5M, CHASSIS, NON-IBBC	115-7325-001	NONE	Recommended for mid-mount batteries; Fixed Frame and Articulated Tractors
CABLE, 6.5M, CHASSIS, NON-IBBC	115-7325-002	NONE	Recommended for front-mount batteries; Fixed Frame and Articulated Tractors
KIT, 4.0M CHASSIS CABLE, W/ IBBC	117-7325-003	115-7322-012	Recommended for mid-mount batteries; Fixed Frame Tractors
		408-4002-131	
KIT, 6.5M CHASSIS CABLE, W/ IBBC	117-7325-004	115-7322-013	Recommended for front-mount batteries; Fixed Frame Tractors
		408-4002-131	
KIT, 8.5M, CHASSIS, IBBC, ARTICULATED	117-7325-009	115-7322-017	Recommended for mid-mount batteries; Articulated Tractors
		408-4002-131	
KIT, 11.0M, CHASSIS, IBBC, ARTICULATED	117-7325-010	115-7322-018	Recommended for front-mount batteries; Articulated Tractors
		408-4002-131	

5. MACHINE COMPLETION KIT

The Machine Completion Kit provides a specially designed solution to complete the DirecSteer system installation for the applicable machine.

This kit includes:

- Fabricated Components for Motor Integration
- Display Mounting
- GPS Receiver Mounting
- Cellular Antenna Mounting
- Operator Presence Cable
- Common System Cabling
- Operator Enabled Inputs

A list of applicable ag machines and their corresponding Machine Completion Kit can be found on the DirecSteer Machine Completion Kit Fitment Guide (054-7325-002).

6. DIRECSTEER KIT

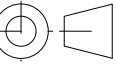
	Orderable Part Number	Key Sub Component(s)
KIT, DIRECSTEER	117-5030-318	063-4001-053

OPTIONAL - EXPANSION

	Orderable Part Number	Key Sub Component(s)	Notes
KIT, 4.0M EXPANSION CABLE, W/ IBBC	117-7325-005	115-7322-011	Recommended for mid-mount batteries; Fixed Frame Tractors with an installed 115-7325-001
		408-4002-131	
KIT, 6.5M EXPANSION CABLE, W/ IBBC	117-7325-006	115-7322-014	Recommended for front-mount batteries; Fixed Frame Tractors with an installed 115-7325-002
		408-4002-131	
KIT, 8.5M, EXPANSION, IBBC, ARTICULATED	117-7325-007	115-7322-015	Recommended for mid-mount batteries; Articulated Tractors with an installed 115-7325-001
		408-4002-131	
KIT, 11.0M, EXPANSION, IBBC, ARTICULATED	117-7325-008	115-7322-016	Recommended for front-mount batteries; Articulated Tractors with an installed 115-7325-002
		408-4002-131	

NOTES

1. TO CONSTRUCT A COMPLETE DIRECSTEER SYSTEM, AN ITEM FROM GROUPS 1-6 MUST BE CHOSEN.

SIZE	CODE	DRAWING NUMBER	REV
B	14979	054-7325-001	A
MATERIAL	LIFECYCLE STATE	UNITS	
		INCH	
EST. WEIGHT:	LOCATION:	SCALE NA	SHEET 2 OF 2
	SF,SD		

DO NOT SCALE DRAWING