

4

3

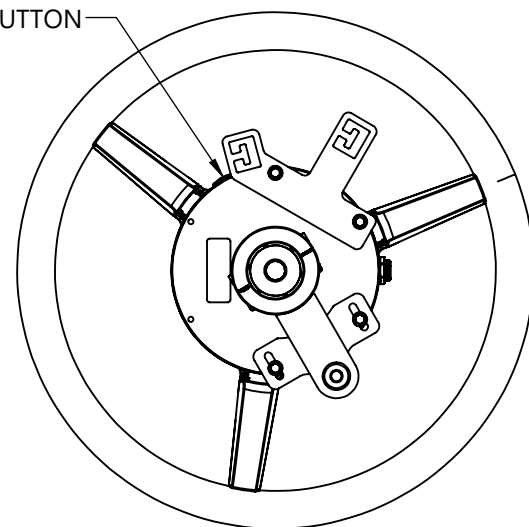
2

1

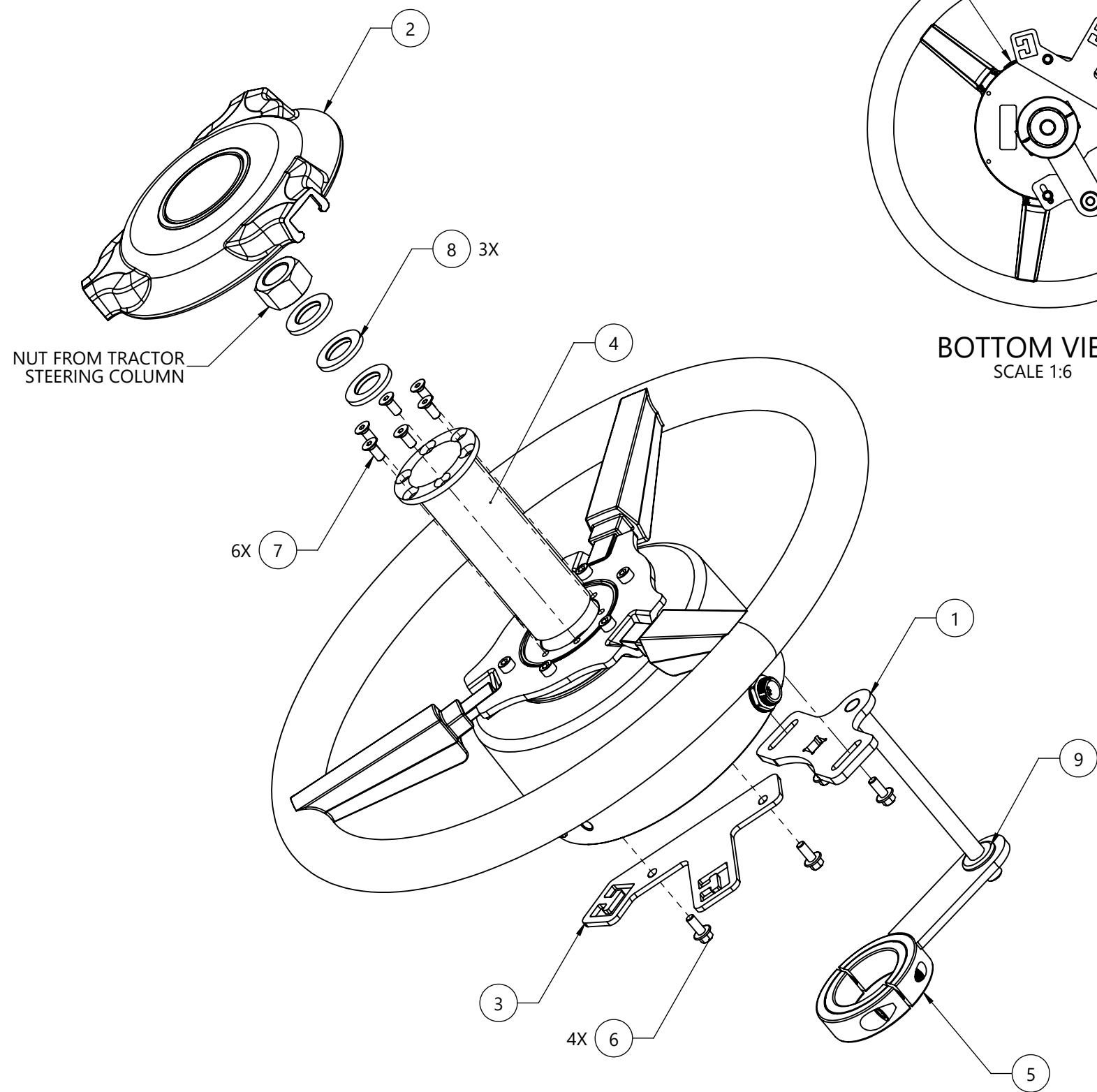
REVISIONS

LTR.	ECO	REVISION DESCRIPTION	DATE	APPROVED	ZONE
A	47849	INITIAL RELEASE	11/27/23	D GRONEWOLD	

DISENGAGE BUTTON



BOTTOM VIEW  
SCALE 1:6



ITM	QTY	PART NUMBER	DESCRIPTION	SPECIAL NOTE
9	1	315-0000-034	GROMMET, TYPE D, 10MM ID, 20MM OD, 16MM HOLE DIA.	
8	3	313-6000-025K	WASHER, DIN 125, M16, CARBON STEEL	
7	6	311-4070-090K	SCREW, HEX SOCKET FLAT HEAD, DIN 7991, M5-0.8 X 12MM, 8.8 STEEL	
6	4	311-4035-002K	FLANGED HEX BOLT, ISO 4162, M5-0.8 X 12MM, 8.8 STEEL	
5	1	116-4050-051	WELDMENT, CCH, FLANGED COLUMN CLAMP	
4	1	107-4050-014	SPLINE ADAPTER, DIRECT DRIVE, 5/8", 36T, TAPERED, 124MM	
3	1	107-4001-093	BRACKET, GENERIC, STEERING MOTOR CABLE ROUTING AID	
2	1	106-0159-782	COVER, DIRECSTEER, RAVEN	
1	1	063-4001-045	ASSEMBLY, CCM, ANTIROTATION STEM	

ENG. DRAWING PRACTICES ASME Y14.100-2013				<b>INSTALLATION ASSEMBLY, SUPPLEMENTAL, DIRECSTEER, CNH, TRACTOR GROUP 02</b>			
USED ON: GUID. / STEERING							
PROPRIETARY AND CONFIDENTIAL INFORMATION OF RAVEN INDUSTRIES INC. THIS DRAWING AND THE INFORMATION HEREON ARE RAVEN INDUSTRIES INC. PROPERTY AND MAY BE USED BY OTHERS ONLY AS AUTHORIZED IN WRITING BY RAVEN INDUSTRIES INC. - ALL RIGHTS RESERVED UNDER THE COPYRIGHT LAWS.		MATERIAL: SEE PARTS	LIFECYCLE STATE: RELEASED	UNITS: METRIC			
EST. WEIGHT: 4.171 KG.		LOCATION: SF, SD	SCALE: 1:3	SHEET 1 OF 1			

4

3

2

1