

4

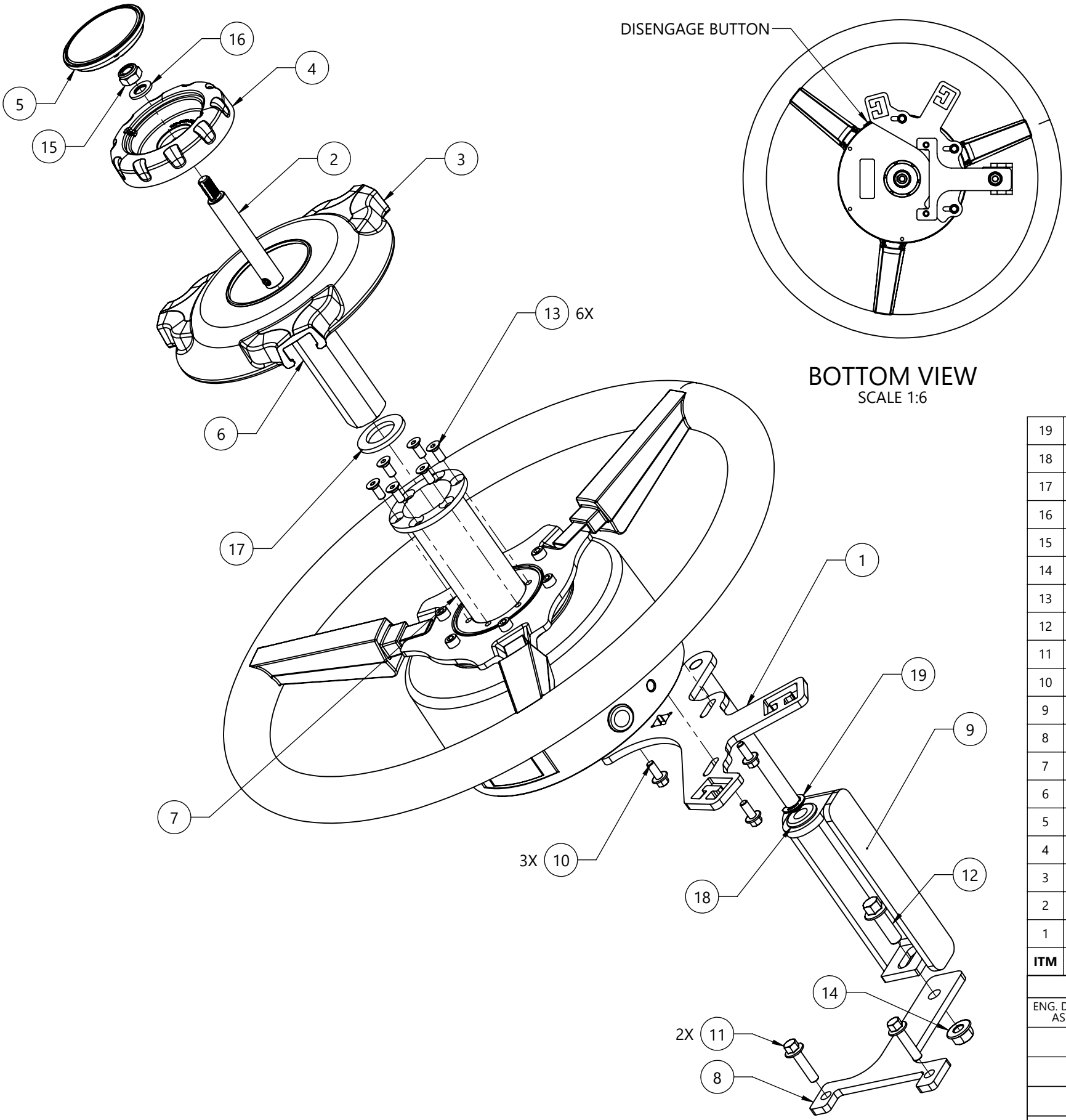
3

2

1

REVISIONS

LTR.	ECO	REVISION DESCRIPTION	DATE	APPROVED	ZONE
A	47851	INITIAL RELEASE	11/27/23	D GRONEWOLD	



19	1	335-0000-338	RING, RETAINING, EXTERNAL, HEAVY DUTY, 10MM SHAFT	
18	1	315-0000-034	GROMMET, TYPE D, 10MM ID, 20MM OD, 16MM HOLE DIA.	
17	1	313-6000-131K	WASHER, ISO 7092, M20, STEEL, ZINC PLATED, 96 HR+	
16	1	313-6000-013K	WASHER, ISO 7089, M8, STEEL, ZINC PLATED, 96 HR+	
15	1	312-6001-027K	HEX NUT, NYLOCK, ISO 7040, M8-1.25, GRADE 8	
14	1	312-4003-016K	HEX NUT, SERRATED FLANGE, ISO 4161, M8-1.25, GRADE 8	
13	6	311-4070-090K	SCREW, HEX SOCKET FLAT HEAD, DIN 7991, M5-0.8 X 12MM, 8.8 STEEL	
12	1	311-4035-055K	FLANGED HEX BOLT, ISO 4162, M8-1.25 X 25MM, 8.8 STEEL	
11	2	311-4035-030K	FLANGED HEX BOLT, ISO 4162, M6-1 X 25MM, 8.8 STEEL	
10	3	311-4035-002K	FLANGED HEX BOLT, ISO 4162, M5-0.8 X 12MM, 8.8 STEEL	
9	1	116-4050-009	WELDMENT, JD GROUP 01, GROMMET HOLDER	
8	1	107-4050-117	BRACKET, ANTI-ROTATION, JD GROUP 01	
7	1	107-4050-045	SPLINE ADAPTER, DIRECT DRIVE, 7/8", 36T, TAPERED, 115MM	
6	1	107-4001-180	BRACKET, EXTENDED COLUMN NUT, M20 x 1.5, 90mm OAL	
5	1	106-0159-784	KNOB COVER, ADJUSTABLE STEERING COLUMN	
4	1	106-0159-783	KNOB, ADJUSTABLE STEERING COLUMN	
3	1	106-0159-781	COVER, DIRECSTEER, RAVEN, ADJUSTABLE STEERING COLUMN	
2	1	063-4001-259	TELESCOPE ADAPTER ASSEMBLY, M8, 90MM LONG	
1	1	063-4001-080	ASSEMBLY, JD GROUP 01, ANTI-ROTATION STEM	

ITM	QTY	PART NUMBER	DESCRIPTION	SPECIAL NOTE							
RELATED SPECIFICATIONS											
ENG. DRAWING PRACTICES ASME Y14.100-2013											
USED ON:		GUID. / STEERING	INSTALLATION ASSEMBLY, SUPPLEMENTAL, DIRECSTEER, JD, TRACTOR GROUP 01								
			<table border="1"> <tr> <th>SIZE</th> <th>CODE</th> <th>DRAWING NUMBER</th> <th>REV</th> </tr> <tr> <td>B</td> <td>14979</td> <td>054-5030-401</td> <td>A</td> </tr> </table>	SIZE	CODE	DRAWING NUMBER	REV	B	14979	054-5030-401	A
SIZE	CODE	DRAWING NUMBER	REV								
B	14979	054-5030-401	A								
PROPRIETARY AND CONFIDENTIAL INFORMATION OF RAVEN INDUSTRIES INC.		MATERIAL SEE PARTS		<table border="1"> <tr> <th>LIFECYCLE STATE</th> <th>UNITS</th> </tr> <tr> <td>RELEASED</td> <td>METRIC</td> </tr> </table>	LIFECYCLE STATE	UNITS	RELEASED	METRIC			
LIFECYCLE STATE	UNITS										
RELEASED	METRIC										
THIS DRAWING AND THE INFORMATION HEREON ARE RAVEN INDUSTRIES INC. PROPERTY AND MAY BE USED BY OTHERS ONLY AS AUTHORIZED IN WRITING BY RAVEN INDUSTRIES INC. - ALL RIGHTS RESERVED UNDER THE COPYRIGHT LAWS.		EST. WEIGHT:	5.041 KG.	<table border="1"> <tr> <th>LOCATION:</th> <th>SCALE</th> <th>SHEET</th> </tr> <tr> <td>SF, SD</td> <td>1:3</td> <td>1 OF 1</td> </tr> </table>	LOCATION:	SCALE	SHEET	SF, SD	1:3	1 OF 1	
LOCATION:	SCALE	SHEET									
SF, SD	1:3	1 OF 1									

4

3

2

1