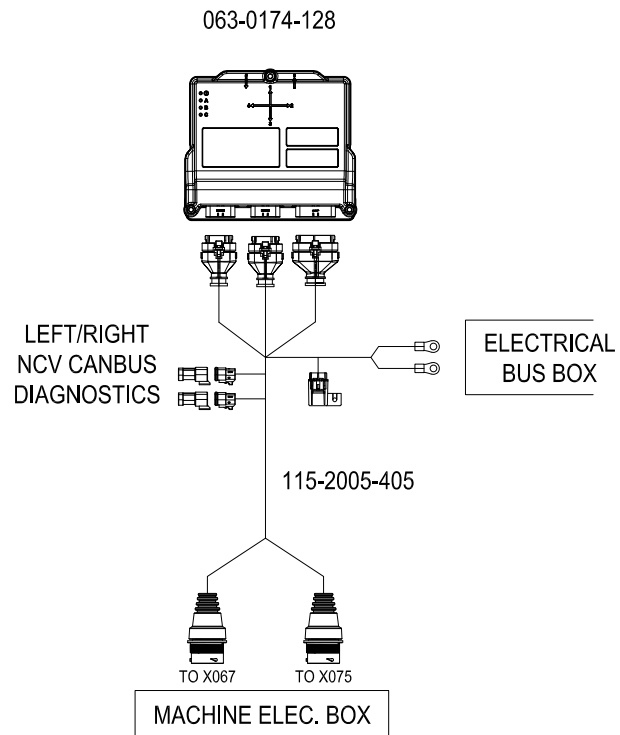


SYSTEM DRAWING, HAWKEYE 2, AGCO MF5XXR SERIES, BASE KIT



NOTES:

1. KIT BASE 117-2005-363 SOLD SEPARATELY
2. FOR HAWKEYE 2 BOOM PROFILE SEE 054-2005-011

RELEASED DATE	ECO #	REV.	DRAWING NO.
9/25/23	47532	A	054-2005-014