

RS1™ Installation Manual for Massey Ferguson 6S/ 7S Autoguide-Ready

016-5033-280 Rev. A

3/2023

E43974



DISCLAIMER

While every effort has been made to ensure the accuracy of this document, Raven Industries assumes no responsibility for omissions and errors. Nor is any liability assumed for damages resulting from the use of information contained herein.

Raven Industries shall not be responsible or liable for incidental or consequential damages or a loss of anticipated benefits or profits, work stoppage or loss, or impairment of data arising out of the use, or inability to use, this system or any of its components. Raven Industries shall not be held responsible for any modifications or repairs made outside our facilities, nor damages resulting from inadequate maintenance of this system.

As with all wireless and satellite signals, several factors may affect the availability and accuracy of wireless and satellite navigation and correction services (e.g. GPS, GNSS, SBAS, etc.). Therefore, Raven Industries cannot guarantee the accuracy, integrity, continuity, or availability of these services and cannot guarantee the ability to use Raven systems, or products used as components of systems, which rely upon the reception of these signals or availability of these services. Raven Industries accepts no responsibility for the use of any of these signals or services for other than the stated purpose.

Chapter 1	Important Information.....	1
Safety		1
Displays and Control Consoles		1
Electrical safety		2
Touch Screen		2
Recommendations and Best Practices		2
Harness Routing		2
Chapter 2	Introduction.....	5
Installation Best Practices		5
Recommendations		6
Point of Reference		6
Kit Components		6
Updates		7
Chapter 3	Installation	9
Mount the Harness		9
Install the RS1™		11
Insert the SIM Card		13
Install CR7™ or CR12™		14
Install Field Computer Harness		15
Activate Automatic Steering		15
System Drawings		16

SAFETY

NOTICE

Follow the operation and safety instructions included with the implement and/or controller and read this manual carefully before installing or operating this Raven system.

- Follow all safety information presented within this manual. Review implement operation with your local dealer.
- Contact a local Raven dealer for assistance with any portion of the installation, service, or operation of Raven equipment.
- Follow all safety labels affixed to system components. Be sure to keep safety labels in good condition and replace any missing or damaged labels. Contact a local Raven dealer to obtain replacements for safety labels.

Observe the following safety measures when operating the implement after installing this Raven system:

- Do not operate this Raven system or any agricultural equipment while under the influence of alcohol or an illegal substance.
- Be alert and aware of surroundings and remain in the operator seat at all times when operating this Raven system.
 - Do not operate the implement on any public road with this Raven system enabled.
 - Disable this Raven system before exiting the operator seat.
 - Determine and remain a safe working distance from obstacles and bystanders. The operator is responsible for disabling the system when a safe working distance has diminished.
 - Disable this Raven system prior to starting any maintenance work on the implement or components of this Raven system.
- Do not attempt to modify or lengthen any of the system control cables. Extension cables are available from a local Raven dealer.

DISPLAYS AND CONTROL CONSOLES

- If the display will not be used for an extended period, it is best to remove the display from the machine and store it in a climate controlled environment. This may help to extend the service life of electronic components.
- To prevent theft, secure the display and GPS antenna when leaving the machine unattended.

CAUTION

ELECTRICAL SAFETY

- Always verify that power leads are connected to the correct polarity as marked. Reversing the power leads could cause severe damage to the Raven system or other components.
- To prevent personal injury or fire, replace defective or blown fuses with only fuses of the same type and amperage.
- Do not connect the power leads to the battery until all system components are mounted and all electrical connections are completed.
- Always start the machine before initializing this Raven system to prevent power surges or peak voltage.
- To avoid tripping and entanglement hazards, route cables and harnesses away from walkways, steps, grab bars, and other areas used by the operator or service personnel when operating or servicing the equipment.

TOUCH SCREEN

- Only touch the touch-screen with your finger or by using a special touch-screen stylus/pen. Operating the touch-screen with sharp objects may cause permanent damage to the screen.
- Only clean the screen using a damp cloth. Never use caustic or other aggressive substances.

RECOMMENDATIONS AND BEST PRACTICES

HARNESS ROUTING

The word “harness” is used to describe any electrical cables and leads, both bundled and unbundled. Use the following guidelines and recommendations when connecting and routing harnesses while installing or maintaining this Raven system:

- Leave protective caps/covers over harness connectors until needed to avoid dirt and moisture from contaminating electrical circuits.
- Secure the harness to the frame or solid structural members at least every 12 in [30 cm].
- Follow existing harness runs already routed on the implement as much as possible. Proper harness routing should:
 - Secure harnessing and prevent the harness from hanging below the implement.
 - Provide sufficient clearance from moving components and operational zones around shafts; universal joints and suspension components; pulleys, gears, belts, and chains; moving linkages, cylinders, articulation joints, etc.
 - Protect harnessing from field debris and surrounding hazards (e.g. tree limbs, fence posts, crop stubble, dirt clumps or rocks that may fall or be thrown by the implement).
 - Protect harnessing from sharp bends, twisting, or flexing over short distances and normal implement operation.
 - Connectors and splices should not be located at bending points or in harness sections that move.
 - Ensure sufficient length for free movement of the implement during normal operation and prevent pulling, pinching, catching, or rubbing, especially in articulation and pivot points. Clamp harnessing securely to force controlled movement of the harness.

- Avoid abrasive surfaces and sharp edges such as sheared or flame cut corners, fastener threads or cap screw heads, hose clamp ends, etc.
- Do not connect, affix, or allow harnessing to come into contact with components with high vibration forces, hot surfaces, or components carrying hot fluids beyond the temperature rating of harness components.
 - Harnessing should be protected or shielded if routing requires the hose to be exposed to conditions beyond harnessing component specifications.
- Avoid routing harnesses in areas where damage may occur due to build up of material (e.g. dirt, mud, snow, ice, etc.).
- Avoid routing harnesses in areas where the operator or service personnel might step or use as a grab bar.

IMPORTANT: Avoid applying direct spray or pressure washing of electrical components and connections. High pressure streams and sprays can penetrate seals, cause corrosion, or otherwise damage electrical components.
When performing maintenance:

- Inspect electrical components and connectors for corrosion, damaged pins or housings, etc. Repair or replace components or harnessing as necessary.
- Ensure connectors are kept clean and dry. Apply dielectric grease to the sealing surfaces of all connections exposed to moisture, dirt, debris, and other contaminants. Repair or replace harnessing as necessary.
- Clean electrical components with pressurized air, aerosol electrical cleaning agent, or low pressure rinse.
- Remove visible surface water from electrical components and connections using pressurized air or an aerosol cleaning agent. Allow components to dry thoroughly before reconnecting cables.

CHAPTER

INTRODUCTION

2

Thank you for purchasing an RS1™ system.

This manual applies to the following machines. For future reference, write your serial number in the space below.

Make. Massey Ferguson

Model. 6S and 7S - Autoguide-Ready

FIGURE 1. Massey Ferguson Tractors



INSTALLATION BEST PRACTICES



WARNING

Carefully read and follow all safety requirements and precautions contained in this manual and the machine-specific Installation Manual. Failure to follow safety instructions may lead to equipment damage, personal injury, or death.

RECOMMENDATIONS

Before installing the RS1™ system, park the machine where the ground is level, clean, and dry. Bleed pressure from the hydraulic system and leave the machine turned off for the duration of the installation process.

During the installation process, follow good safety practices. Be sure to carefully read the instructions in this manual as you complete the installation process.

Raven Industries recommends the following best practices when installing or operating the RS1™ system for the first time, at the start of the season, or when moving the RS1™ system to another machine:

- Verify that the machine's hydraulic system is using fresh oil and that the filters have been recently changed
- Ensure there are no issues with the machine's hydraulic system (e.g., pump issues, faulty hydraulic motors, fine metal deposits in the hydraulic hoses, etc.).

POINT OF REFERENCE

The instructions in this manual assume that you are standing behind the machine, looking toward the cab.

KIT COMPONENTS

This section contains a list of the components that are included in the RS1™ kit. Before beginning the system installation, compare the items in the kit with the components on this list. If you have questions about the kit, contact your Raven dealer.

FIGURE 2. MF 6S/7S Steer-Ready, CR7™, RS1™ Kit (P/N 117-5033-280 Rev. A)

QTY	PART #	DESCRIPTION
1	053-0159-323	BOX, SHIPPING
1	115-4010-116	CABLE, RS1, AGCO STEER READY CAN VALVE W/IGNITION
1	115-4010-262	CABLE, T-EXTENSION, MF AUTOGUIDE 6S/7S, ENGINE CAN
1	117-5001-058	KIT, ROOF, K RS1, STICK-ON
1	115-7300-171	CABLE, CR7, ISO, IN-CAB 9P AUX POWER
1	016-0171-649	WARRANTY/HELP SHEET

FIGURE 3. MF 6S/7S Steer-Ready, CR12™, RS1™ Kit (P/N 117-5033-281 Rev. A)

QTY	PART #	DESCRIPTION
1	053-0159-323	BOX, SHIPPING
1	115-4010-116	CABLE, RS1, AGCO STEER READY CAN VALVE W/IGNITION
1	115-4010-262	CABLE, T-EXTENSION, MF AUTOGUIDE 6S/7S, ENGINE CAN
1	117-5001-058	KIT, ROOF, RS1, STICK-ON
1	115-7300-157	CABLE, CR12, ISO IN-CAB 9P, AUX POWER, EXTERNAL GPS
1	016-0171-649	WARRANTY/HELP SHEET

UPDATES

Updates for Raven manuals as well as software updates for Raven consoles, and product controllers are available at the Applied Technology Division web site:

<https://portal.ravenprecision.com>

Sign up for e-mail alerts to receive notifications when updates for your Raven products are available on the Raven web site.

At Raven Industries, we strive to make your experience with our products as rewarding as possible. One way to improve this experience is to provide us with feedback on this manual.

Your feedback will help shape the future of our product documentation and the overall service we provide. We appreciate the opportunity to see ourselves as our customers see us and are eager to gather ideas on how we have been helping or how we can do better.

To serve you best, please send an email with the following information to

techwriting@ravenind.com

- RS1™ Installation Manual for Massey Ferguson 6S/7S Autoguide-Ready
- 016-5033-280 Rev. A
- Any comments or feedback (include chapter or page numbers if applicable).
- Let us know how long have you been using this or other Raven products.

We will not share your email or any information you provide with anyone else. Your feedback is valued and extremely important to us.

Thank you for your time.

MOUNT THE HARNESS

1. Remove the panels to install the cables.

FIGURE 1. C-pillar



2. Remove the panel from the C-pillar by loosening the four screws securing the panel.

NOTE: It is not necessary to remove the four screws completely. When the screws are slightly unscrewed, the panel may be removed.

3. Open the lower panel at the right-hand side of the operator's seat.

4. Connect the T-extension cable (P/N 115-4010-262) between the X282 connector of the tractor.

FIGURE 2. X282 Connector



5. Route the 115-4010-262 cable behind the lining to the ENGINE CAN (X114A) connector located on the right-hand side of the operator's seat.
6. Connect the other end of the 115-4010-262 cable to the X114A connector.

FIGURE 3. Engine CAN Connector



115-4010-262
Cable

X114A
Connector



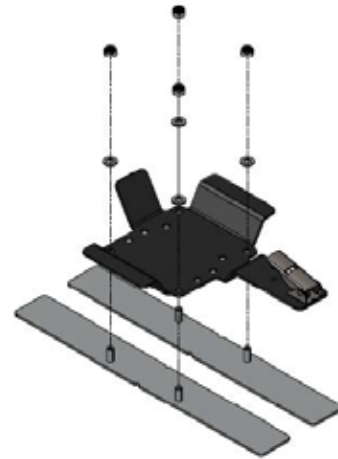
Cables Connected

7. Once all cables are successfully installed, reinstall the side panel and C-pillar panel.

INSTALL THE RS1™

1. Mount the RS1™ bottom assembly on the center line on the front section of the roof of the cab, using the two adhesive aluminum strips.

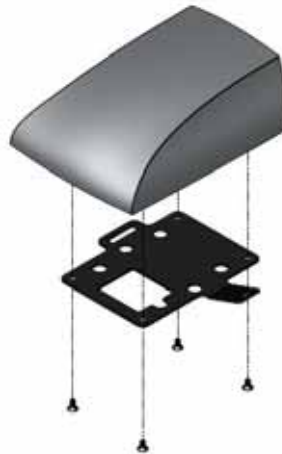
FIGURE 4. Bottom Assembly of RS1™ Mount



NOTE: The mount stays permanently attached to the roof of the tractor.

2. Mount the latch plate onto the RS1™ using the provided screws.

FIGURE 5. RS1™ Mounted on Generic Bracket



NOTE: This latch plate stays connected to the RS1™.

3. Secure the RS1™, already connected to the latch plate, onto the fixed plate.
4. Secure the assembly with the latch.

5. Mount the round adhesive plate for the Laird antenna within 90 cm from the RS1™ bracket.

FIGURE 6. Laird Antenna Adhesive Plate



NOTE: The LAIRD antenna is the main receiver of the RS1. Ensure all of the following for best functionality of RS1™:

- The antennas are mounted at least 50 cm apart.
 - The antennas are positioned to point to the backside of the tractor.
 - The GPS antenna is mounted in front of the rear axle.
6. Connect the 115-4010-116 cable between the RS1™ and the roof gland.

FIGURE 7. RS1™ Mounted and Cable Connected



INSERT THE SIM CARD

When the RS1™ is used with RTK accuracy or remote support, a working SIM card is needed. Before installing the SIM card, ensure the SIM pin code is switched off.

To install a SIM card:

1. Unscrew the four screws located on the bottom of the RS1™.
2. Remove the SIM slot cover.
3. Insert the SIM card into the SIM slot.

FIGURE 8. SIM Card Inserted in SIM Slot



NOTE: The SIM card must be inserted into the J11 slot or the RS1™ will not receive any GPS signal.

INSTALL CR7™ OR CR12™

Ensure the installer follows all of the following guidelines for best installation practices.

- Always ensure the terminal is placed in the most appropriate position facing the driver seat for easy access and use.
- Always use a RAM-C ball attachment.
- Mount the terminal with a solid bracket in a place free of vibrations.
- Secure all cables in the cabin so there are no free-hanging cables.
- Ensure the driver has a clear, unobstructed view all around the cabin.

FIGURE 9. CR7™ Mounted in Various Positions



FIGURE 10. CR12™ Mounted in Various Positions



INSTALL FIELD COMPUTER HARNESS

Ensure the installer follows all of the following guidelines for best installation practices.

- Install the field computer harness between the field computer and the standard connectors of the tractor.
- Mount the 9-pin ISOBUS connector to the panel mount connector in the cabin of the tractor.
- Mount the 3-pin power connector.
- Guide the harness to the field computer.

FIGURE 11. ISOBUS and Power Connector



ACTIVATE AUTOMATIC STEERING

NOTE: Please make sure MF software 2021.2 or newer is installed.

To activate automatic steering for Massey Ferguson Autoguide systems with RS1™:

FIGURE 12. Activation Button on joystick



1. Press the automatic steering button on the joystick to pre-activate the steering. When pressed the display will show a message that PVED is on.
2. Confirm that the steering symbol is green.
3. Automatic steering can be activated by pressing the button on the joystick.

SYSTEM DRAWINGS

FIGURE 13. MF 6S/7S Steer-Ready CR7™ & RS1™ System Drawing (P/N 054-5033-280 Rev. A)

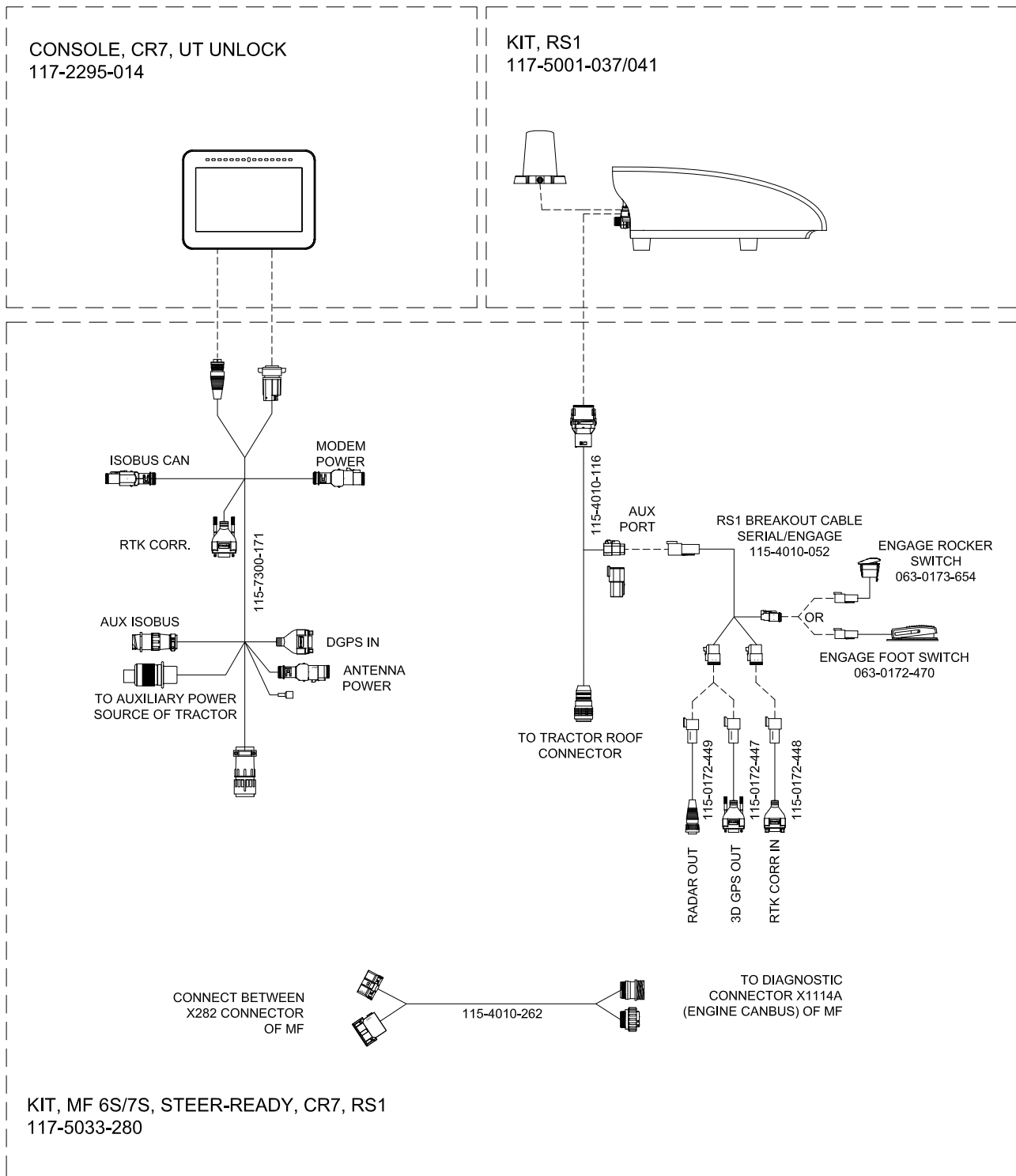
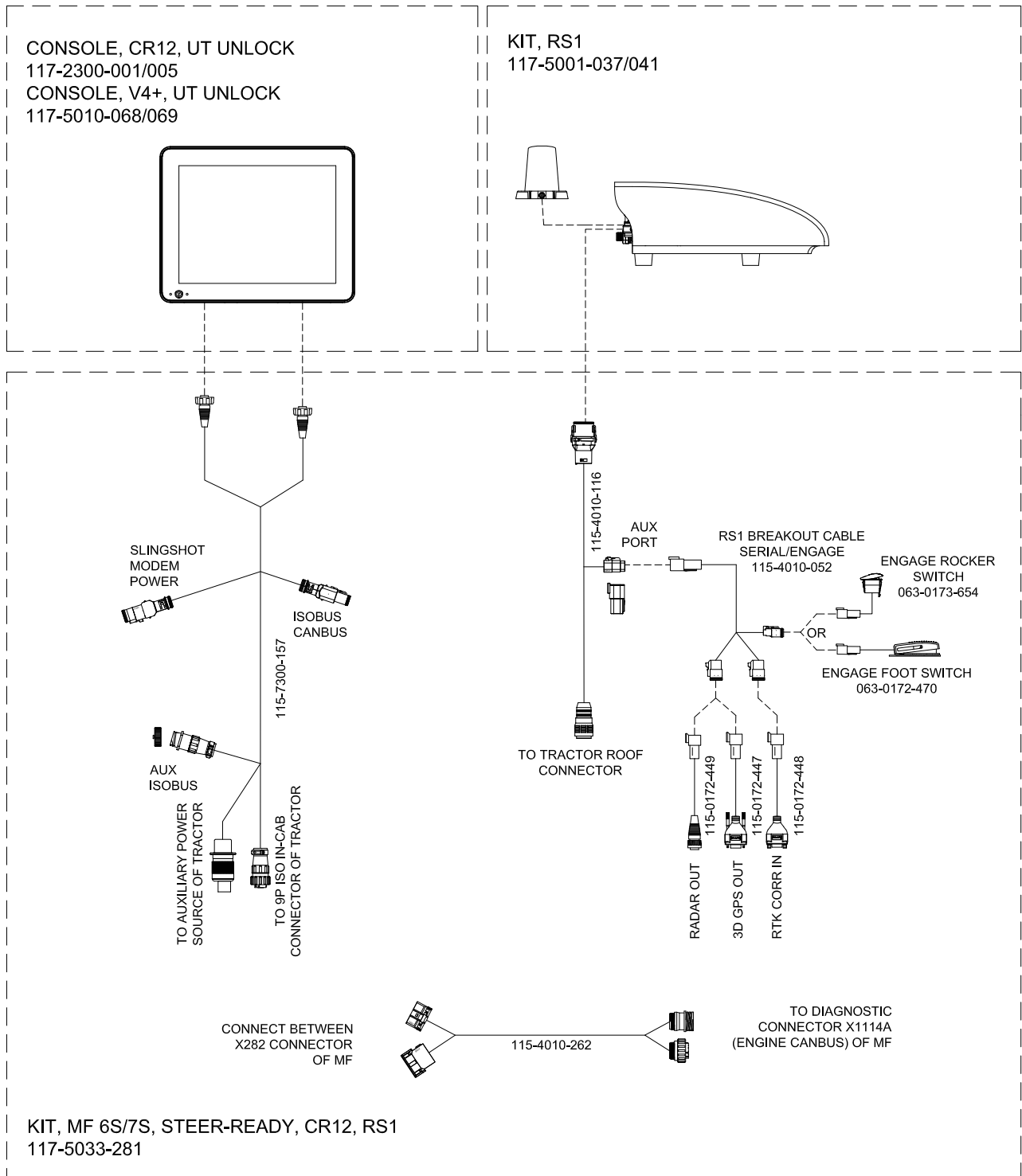


FIGURE 14. MF 6S/7S Steer-Ready CR12™ & RS1™ System Drawing (P/N 054-5033-281 Rev. A)



LIMITED WARRANTY

WHAT DOES THIS WARRANTY COVER?

This warranty covers all defects in workmanship or materials in your Raven Applied Technology Division product under normal use, maintenance, and service when used for intended purpose.

HOW LONG IS THE COVERAGE PERIOD?

Raven Applied Technology products are covered by this warranty for 12 months from the date of retail sale. In no case will the Limited Warranty period exceed 36 months from the date the product was issued by Raven Industries Applied Technology Division. This warranty coverage applies only to the original owner and is non-transferable.

HOW CAN I GET SERVICE?

Bring the defective part and proof of purchase to your Raven dealer. If the dealer approves the warranty claim, the dealer will process the claim and send it to Raven Industries for final approval. The freight cost to Raven Industries will be the customer's responsibility. The Return Materials Authorization (RMA) number must appear on the box and all documentation (including completed RMA form, Certificate of Decontamination, and retail proof of purchase) must be included inside the box to be sent to Raven Industries.

WHAT WILL RAVEN INDUSTRIES DO?

Upon confirmation of the warranty claim, Raven Industries will (at our discretion) repair or replace this product or any component of the product found to be defective during the warranty period. Replacement will be made with a new or remanufactured product or component. Standard return freight will be paid, regardless of inbound shipping method. Expedited freight is available at the customer's expense.

WHAT IS NOT COVERED BY THIS WARRANTY?

Raven Industries will not assume any expense or liability for repairs outside our facility without written consent. Raven Industries is not responsible for damage to any associated equipment or products and will not be liable for loss of profit, labor, or other damages. The obligation of this warranty is in lieu of all other warranties, expressed or implied, and no person or organization is authorized to assume any liability for Raven Industries.

- Damages caused by normal wear and tear, misuse, abuse, neglect, accident, improper installation and maintenance are not covered by this warranty.
- Worn/Chafed hoses and cables.
- Items in contact with fluids and chemicals including seals and O-rings.
- Software downloads and updates.
- Tamper-Evident label broken or customer disassembly.
- Any customer modification to the original product outside normal calibration and adjustments, without written approval.
- Intentional modification to cables.
- Failures due to lack of cleaning or preventive maintenance, and any condition, malfunction or damage not resulting from defects in material or workmanship.
- Items in contact with fluids or chemicals, returned without proper cleaning, decontamination and documentation.

EXTENDED WARRANTY

WHAT DOES THIS WARRANTY COVER?

This warranty covers all defects in workmanship or materials in your Raven Applied Technology Division product under normal use, maintenance, and service when used for intended purpose.

DO I NEED TO REGISTER MY PRODUCT TO QUALIFY FOR THE EXTENDED WARRANTY?

Yes. Products/systems must be registered within 30 days of retail sale to receive coverage under the Extended Warranty. If the component does not have a serial tag, the kit it came in must be registered instead.

WHERE CAN I REGISTER MY PRODUCT FOR THE EXTENDED WARRANTY?

To register, go online to <https://portal.ravenprecision.com> and select Product Registration.

HOW LONG IS THE EXTENDED WARRANTY COVERAGE PERIOD?

Raven Applied Technology products that have been registered online are covered for an additional 12 months beyond the Limited Warranty for a total coverage period of 24 months from the date of retail sale. In no case will the Extended Warranty period exceed 36 months from the date the product was issued by Raven Industries Applied Technology division. This Extended Warranty coverage applies only to the original owner and is non-transferable.

HOW CAN I GET SERVICE?

Bring the defective part and proof of purchase to your Raven dealer. If the dealer approves the warranty claim, the dealer will process the claim and send it to Raven Industries for final approval. The freight cost to Raven Industries will be the customer's responsibility. The Return Materials Authorization (RMA) number must appear on the box and all documentation (including completed RMA form, Certificate of Decontamination, and Extended Warranty Registration Number) must be included inside the box to be sent to Raven Industries. In addition, the words "Extended Warranty" must appear on the box and all documentation if the failure is between 12 and 24 months from the retail sale.

WHAT WILL RAVEN INDUSTRIES DO?

Upon confirmation of the warranty claim, Raven Industries will (at our discretion) repair or replace this product or any component of the product found to be defective during the warranty period. Replacement will be made with a new or remanufactured product or component. Standard return freight will be paid, regardless of inbound shipping method. Expedited freight is available at the customer's expense.

WHAT IS NOT COVERED BY THE EXTENDED WARRANTY?

Raven Industries will not assume any expense or liability for repairs outside our facility without written consent. Raven Industries is not responsible for damage to any associated equipment or products and will not be liable for loss of profit, labor, or other damages. The obligation of this warranty is in lieu of all other warranties, expressed or implied, and no person or organization is authorized to assume any liability for Raven Industries.

- Damages caused by normal wear and tear, misuse, abuse, neglect, accident, improper installation and maintenance are not covered by this warranty.
- Worn/Chafed hoses and cables.
- Items in contact with fluids and chemicals including seals and O-rings.
- Software downloads and updates.
- Tamper-Evident label broken or customer disassembly.
- Any customer modification to the original product outside normal calibration and adjustments, without written approval.
- Intentional modification to cables.
- Failures due to lack of cleaning or preventive maintenance, and any condition, malfunction or damage not resulting from defects in material or workmanship.
- Items in contact with fluids or chemicals, returned without proper cleaning, decontamination and documentation.