

VSN/RDR Installation
Manual for Agrifac
Condor C03, C04, C05 HD
Drive

016-2025-011 Rev. A

11/2021

E7007



DISCLAIMER

While every effort has been made to ensure the accuracy of this document, Raven Industries assumes no responsibility for omissions and errors. Nor is any liability assumed for damages resulting from the use of information contained herein.

Raven Industries shall not be responsible or liable for incidental or consequential damages or a loss of anticipated benefits or profits, work stoppage or loss, or impairment of data arising out of the use, or inability to use, this system or any of its components. Raven Industries shall not be held responsible for any modifications or repairs made outside our facilities, nor damages resulting from inadequate maintenance of this system.

As with all wireless and satellite signals, several factors may affect the availability and accuracy of wireless and satellite navigation and correction services (e.g. GPS, GNSS, SBAS, etc.). Therefore, Raven Industries cannot guarantee the accuracy, integrity, continuity, or availability of these services and cannot guarantee the ability to use Raven systems, or products used as components of systems, which rely upon the reception of these signals or availability of these services. Raven Industries accepts no responsibility for the use of any of these signals or services for other than the stated purpose.

Chapter 1 Important Safety Information..... 1
 General2
 Instructions for Wire Routing2

Chapter 2 Introduction..... 5
 Preparing for Installation5
 Prerequisites5
 Recommendations5
 Point of Reference5
 Updates6
 Kit Contents6

Chapter 3 Installation 7
 Mounting VSN7
 Cabling and Connection 10
 VSN Camera Cable11
 Reflective Decals13
 Install Radar 14
 Route the Cables 17

CHAPTER

1

IMPORTANT SAFETY INFORMATION

NOTICE

Read this manual and the operation and safety instructions included with your implement and/or controller carefully before installing the VSN system.

- Follow all safety information presented within this manual.
- If you require assistance with any portion of the installation or service of your Raven equipment, contact your local Raven dealer for support.
- Follow all safety labels affixed to the VSN system components. Be sure to keep safety labels in good condition and replace any missing or damaged labels. To obtain replacements for missing or damaged safety labels, contact your local Raven dealer.

When operating the machine after installing VSN, observe the following safety measures:

- Be alert and aware of surroundings.
- Do not operate VSN or any agricultural equipment while under the influence of alcohol or an illegal substance.
- Remain in the operator's position or a safe working distance away from the booms at all times when VSN is engaged.
- Disable VSN when exiting from the operator's seat and machine.
- Do not drive the machine with VSN enabled on any public road.
- Determine and remain a safe working distance from other individuals. The operator is responsible for disabling VSN when the safe working distance has diminished.
- Ensure VSN is disabled prior to starting any maintenance work on VSN or the machine.

WARNING

- The machine must remain stationary and switched off, with the booms unfolded and supported, during installation or maintenance.

CAUTION

GENERAL

- Always verify that the power leads are connected to the correct polarity as marked. Reversing the power leads could cause severe damage to the equipment.
- Ensure that the power cable is the last cable to be connected.

INSTRUCTIONS FOR WIRE ROUTING

The word “harness” is used to mean all electrical leads and cables, bundled and unbundled. When installing harness, secure it at least every 30 cm (12in) to the frame. Follow existing harness as much as possible and use these guidelines:

Harness should not contact or be attached to:

- Lines and hoses with high vibration forces or pressure spikes
- Lines and hoses carrying hot fluids beyond harness component specifications

Avoid contact with any sharp edge or abrading surfaces such as, but not limited to:

- Sheared or flame cut edges
- Edges of machined surfaces
- Fastener threads or cap screw heads
- Ends of adjustable hose clamps
- Wire exiting conduit without protection, either ends or side of conduit
- Hose and tube fittings

Routing should not allow harnesses to:

- Hang below the unit
- Have the potential to become damaged due to exposure to the exterior environment. (i.e. tree limbs, debris, attachments)
- Be placed in areas of or in contact with machine components which develop temperatures higher than the temperature rating of harness components
- Wiring should be protected or shielded if it needs to route near hot temperatures beyond harness component specifications

Harnessing should not have sharp bends

Allow sufficient clearance from machine component operational zones such as:

- Drive shafts, universal joints
- Pulleys, gears, sprockets
- Deflection and backlash of belts and chains
- Adjustment zones of adjustable brackets
- Changes of position in RS1, HDU and suspension systems

- Moving linkages, cylinders, articulation joints, attachments
- Ground engaging components

For harness sections that move during machine operation:

- Allow sufficient length for free movement without interference to prevent: pulling, pinching, catching or rubbing, especially in articulation and pivot points
- Clamp harnesses securely to force controlled movement to occur in the desired harness section
- Avoid sharp twisting or flexing of harnesses in short distances
- Connectors and splices should not be located in harness sections that move

Protect harnesses from:

- Foreign objects such as rocks that may fall or be thrown by the unit
- Buildup of dirt, mud, snow, ice, submersion in water and oil
- Tree limbs, brush and debris
- Damage where service personnel or operators might step or use as a grab bar
- Damage when passing through metal structures

IMPORTANT:

- Avoid directly spraying electrical components and connections with high pressure water. High pressure water sprays can penetrate seals and cause electrical components to corrode or otherwise become damaged. When performing maintenance:
- Inspect all electrical components and connections for damage or corrosion. Repair or replace components, connections, or cable as necessary.
- Ensure connections are clean, dry, and not damaged. Repair or replace components, connections, or cable as necessary.
- Clean components or connections using low pressure water, pressurized air, or an aerosol electrical component cleaning agent.
- Remove visible surface water from components, connections, or seals using pressurized air or an aerosol electrical component cleaning agent. allow components to dry completely before reconnecting cables.

The following instructions are designed to assist with the proper installation of the VSN system. Refer to the VSN Calibration & Operation Manual (P/N 016-2020-001) for assistance with calibrating and using the VSN system.

PREPARING FOR INSTALLATION

Before installing the VSN system, park the machine where the ground is level, clean, and dry. Turn off the machine and leave it turned off for the duration of the installation process.

During the installation process, follow good safety practices. Be sure to carefully read the instructions in this manual to complete the installation process.

PREREQUISITES

The following components must be installed with the VSN system.

- VSN Level 3 version 20.4 or newer
- RS1™
- Either
 - Viper® 4 with ROS version 3.4 or newer, or
 - CR12™ with CRx version 21.1 or newer

Follow the installation instructions provided with these components before installing VSN.

RECOMMENDATIONS

Raven Industries recommends the following best practices when installing or operating the VSN system for the first time or at the start of the season:

- Install the VSN unit in the recommended location.
- Use part numbers to help identify parts.
- Do not remove the plastic wrap from a part until it is necessary for installation.

POINT OF REFERENCE

The instructions in this manual assume that you are standing behind the machine, looking toward the cab.

UPDATES

Software and manual updates are available on the Raven Applied Technology website:

<http://www.ravenprecision.com>

At Raven Industries, we strive to make your experience with our products as rewarding as possible. One way to improve this experience is to provide us with feedback on this manual.

Your feedback will help shape the future of our product documentation and the overall service we provide. We appreciate the opportunity to see ourselves as our customers see us and are eager to gather ideas on how we have been helping or how we can do better.

To serve you best, please send an email with the following information to

techwriting@ravenind.com

- VSN/RDR Installation Manual for Agrifac Condor C03, C04, C05 HD Drive
- 016-2025-011 Rev. A
- Any comments or feedback (include chapter or page numbers if applicable).
- Let us know how long have you been using this or other Raven products.

We will not share your email or any information you provide with anyone else. Your feedback is valued and extremely important to us.

Thank you for your time.

KIT CONTENTS

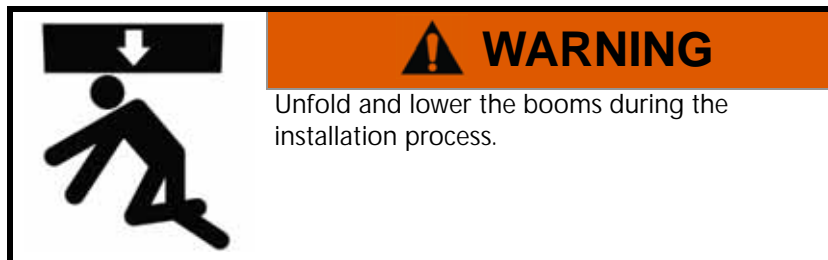
This section contains a list of the components that are included in the VSN kit. Before beginning the system installation, compare the items in the kit with the components on this list. If you have questions about the kit, contact your Raven dealer.

FIGURE 1. VSN Installation Kit for Agrifac Condor C03, C04, C05 HD Drive (P/N 117-2025-011)

THIS KIT TO CONTAIN THE FOLLOWING ITEMS LISTED BELOW:

ITEM #	QTY	PART #	DESCRIPTION
1	1	053-0159-331	BOX, SHIPPING
2	1	115-2020-045	CABLE, VSN, AGRIFAC CONDOR C04/C05
3	1	116-0159-861	WELDMENT, VSN, FRAME MOUNT, AGRIFAC CONDOR C03/C04/C05
4	1	107-0172-745	BRACKET, VSN MOUNT, AGRIFAC CONDOR C03/C04/C05
5	1	107-0172-642	BRACKET, VSN, DEBRIS SHIELD
6	1	016-0171-649	SHEET, WARRANTY/HELP
7	1	053-0159-384	BAG, PLASTIC
8	6	311-4055-180N	HEX BOLT, DIN933 M8 X 25
9	4	313-6001-013N	SPRING LOCK WASHER, DIN127-ZN-M8
10	6	313-6000-013N	WASHER, DIN125A M8 CLASS V FINISH
11	4	313-5001-007	GASKET, VITON .29ID X .688OD X .062
12	2	312-6001-027N	HEX NUT, NYLON INSERT DIN985-8-M8
13	2	313-6002-013N	WASHER, LARGE, DIN9021, M8, CLASS V FINISH

MOUNTING VSN



1. Locate the accumulator cover on the right side of the cabin.
2. Remove the 4 bolts from the cover.

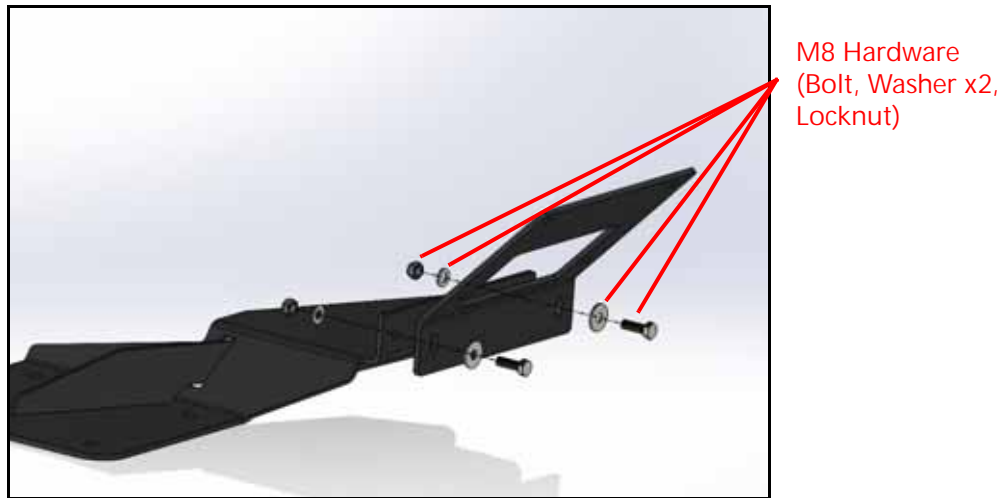
FIGURE 1. Accumulator Cover on Right Side of Cab



3. Using the existing cover hardware, mount the VSN base bracket to the framework.
4. Mount the VSN mounting bracket to the base bracket using the provided M8 hardware.

NOTE: Ensure the bracket is mounted level with the ground before securing the bolts.

FIGURE 2. VSN Mounting Bracket Assembly



NOTE: The camera must be mounted with the lens at the top when mounted to the equipment.

5. Finally, use the remaining M8 hardware to secure the camera mounting bracket assembly to the base bracket on the machine frame.

FIGURE 3. VSN Camera and Mounting Bracket Assembly

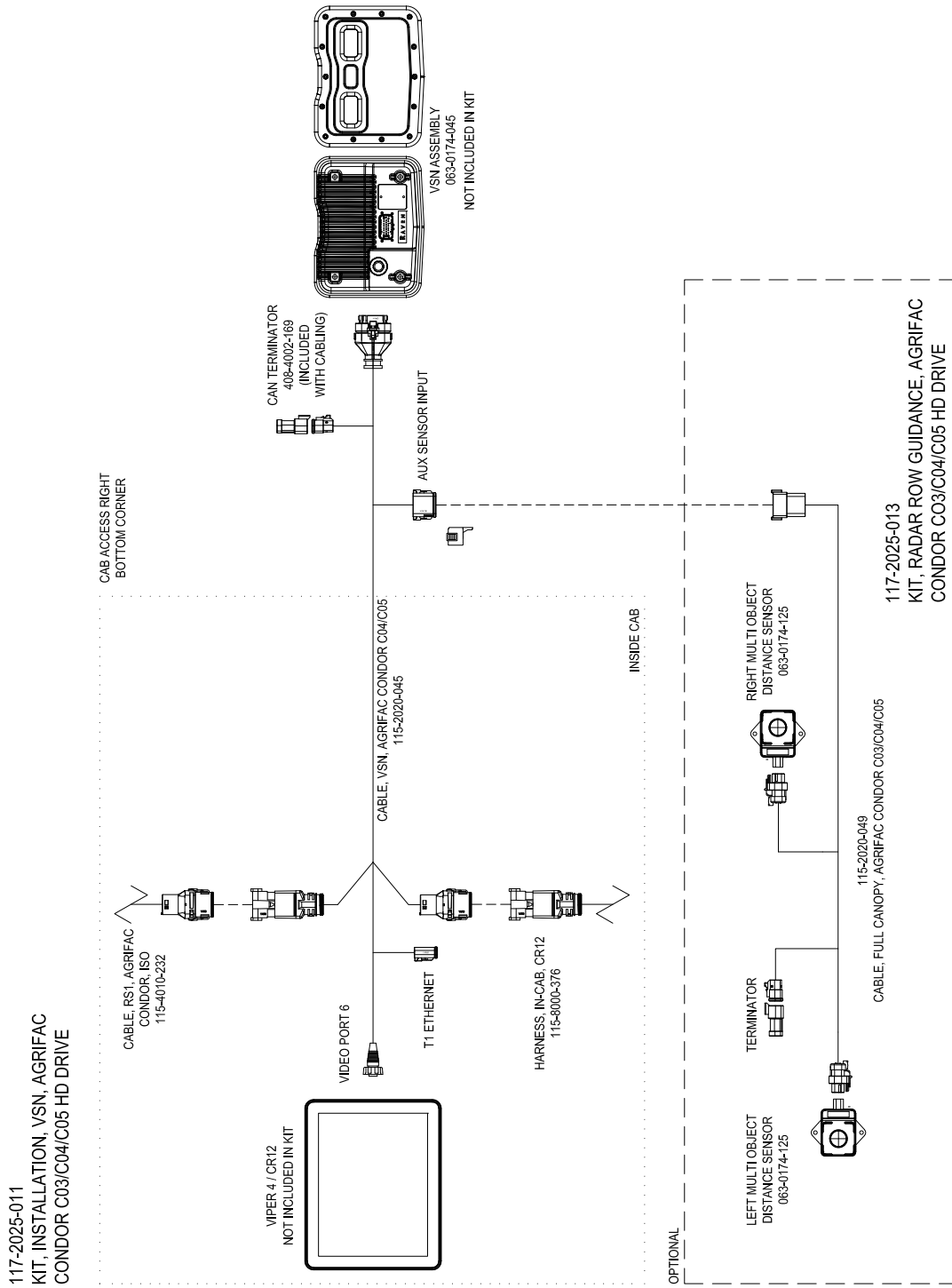


FIGURE 4. VSN Camera Mounted



CABLING AND CONNECTION

FIGURE 5. VSN Steering System Diagram for Agrifac Condor C03, C04, C05 HD Drive (P/N 054-2025-011 Rev. A)

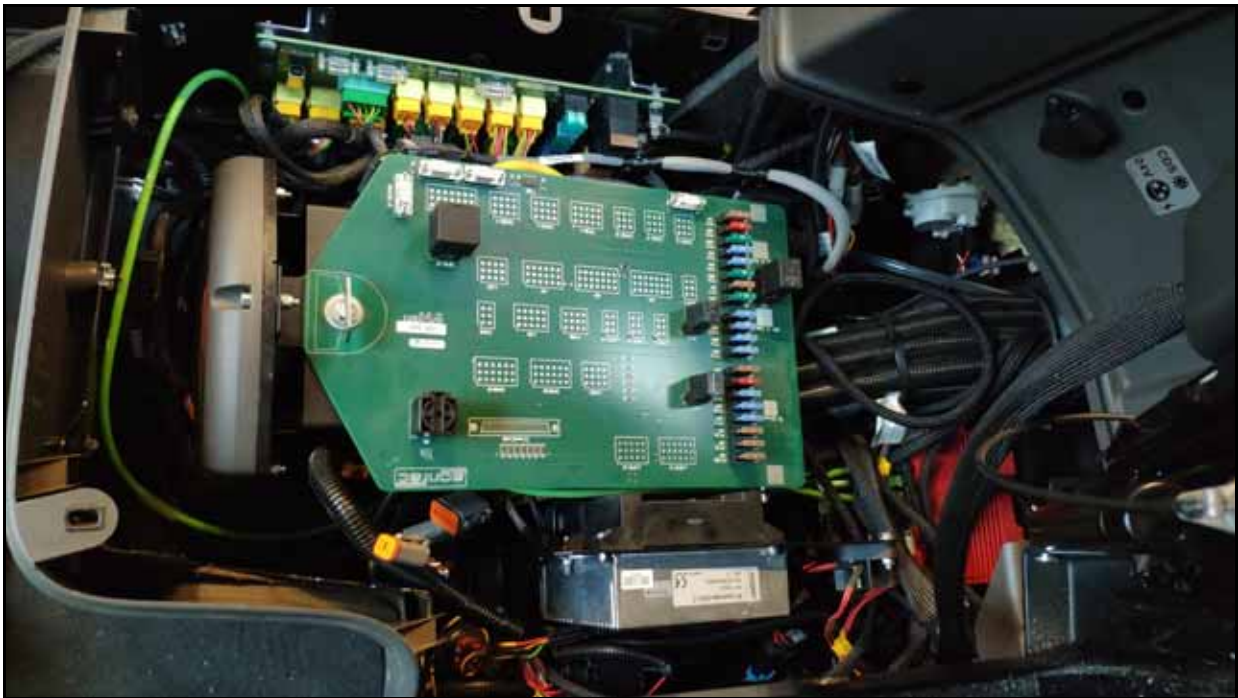


VSN CAMERA CABLE

1. Locate the 12-pin DT plug connector of the RS1™ cable (P/N 115-4010-232) in the electrical box located in the right, rear of the cab.

NOTE: The RS1™ cable (P/N 115-4010-232) and CR12 console cable (P/N 115-8000-376) must already be installed.

FIGURE 6. Electrical Box in Cab



2. Tee in the mating 12-pin connectors on the VSN camera cable (P/N 115-2020-045) between the RS1 cable and CR12™ console cable.
3. Route the gray, 23-pin connector outside of the cab through the cable exit on the lower, rear right of the cab. Make sure the Aux Sensor Input connector is located just outside of the cab.
4. Route the gray, 23-pin connector to the front of the cab to the VSN mounting location.
5. Connect 23-pin connector to back of VSN camera.

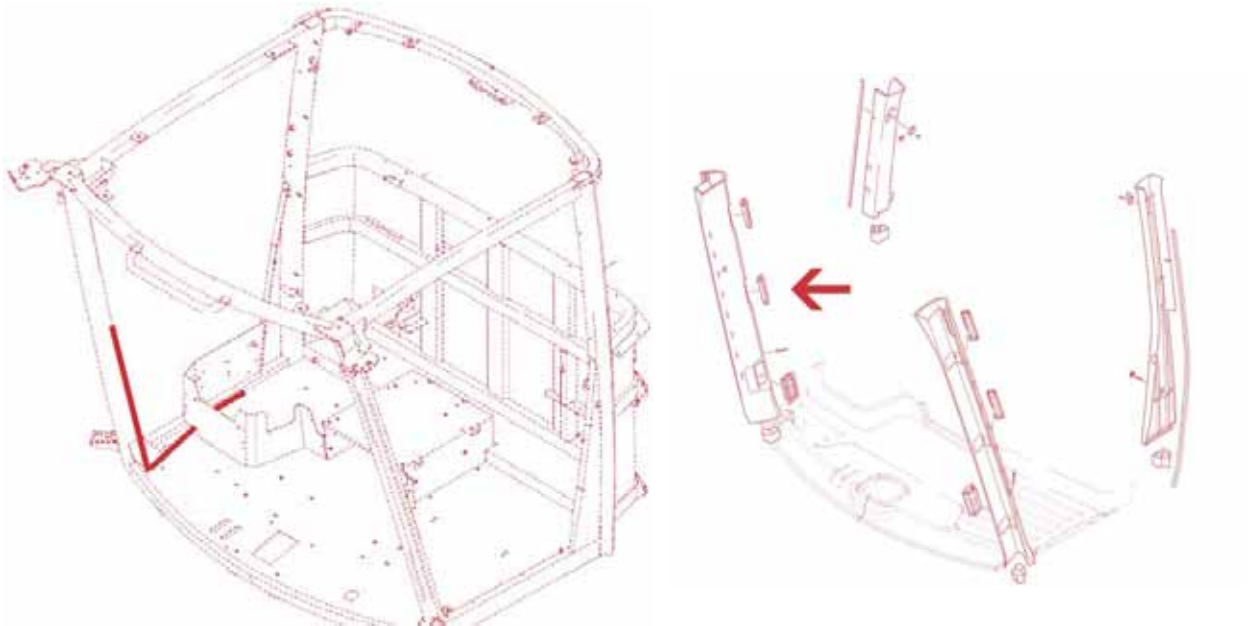
FIGURE 7. VSN Camera Connection



NOTE: Be sure the cable is routed to prevent the cable from being pinched by the boom or other moving components of the equipment.

6. Route the Video connector along the CR12 console cable to the field computer.

FIGURE 8. Video Cable routing



7. Connect the video connector to port 6 on the CR12 field computer.

FIGURE 9. CR12™ Connection



NOTE: The 4-pin T1 Ethernet connector will not be used.

INSTALL RADAR

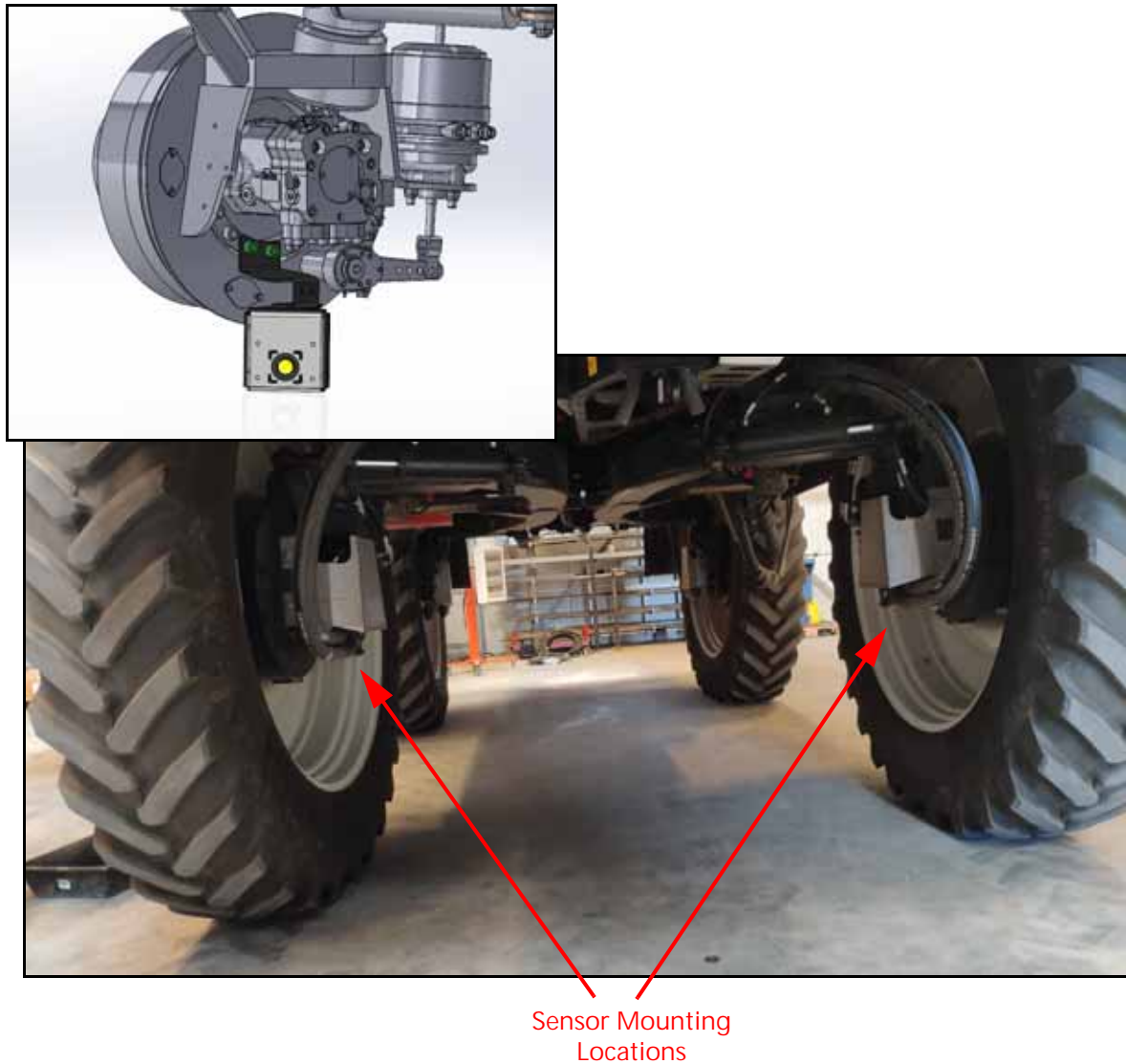
FIGURE 10. Radar Row Guidance Kit for Agrifac Condor C03, C04, C05 HD Drive (P/N 117-2025-013 Rev. A)

THIS KIT TO CONTAIN THE FOLLOWING ITEMS LISTED BELOW:

ITEM #	QTY	PART #	DESCRIPTION
1	1	053-0159-331	BOX, SHIPPING
2	2	063-0174-125	RADAR, MULTI OBJECT DISTANCE SENSOR
3	2	107-0172-690	BRACKET, MULTI OBJECT DISTANCE SENSOR, BASE
4	1	107-0172-746	BRACKET, AGRIFAC CONDOR C03/C04/C05 HD DRIVE, MULTI-
5	1	107-0172-747	BRACKET, AGRIFAC CONDOR C03/C04/C05 HD DRIVE, MULTI-
6	1	115-2020-049	CABLE, FULL CANOPY, AGRIFAC CONDOR C03/C04/C05
7	2	116-0159-860	WELDMENT, MULTI-OBJECT DISTANCE SENSOR, COVER
8	1	016-0171-649	SHEET, WARRANTY/HELP
9	1	053-0159-074	ENVELOPE, PLASTIC
10	12	311-4056-224N	HEX, BOLT, DIN 933, M10 X 1.5 X 30MM
11	16	313-6000-016N	WASHER, M10, STEEL, CLASS V
12	8	313-6001-016N	WASHER, SPRING LOCK, DIN 127-M10
13	4	312-6001-041N	HEX NUT, NYLOC, DIN 985, M10
14	4	311-4056-137N	HEX, BOLT, DIN 933, M6 X 1 X 25MM
15	8	313-6000-010N	WASHER, M6, STEEL, CLASS V
16	4	312-6001-016N	HEX NUT, NYLOC, DIN 985, M6
17	4	311-4061-371	SCREW, SHCS, DIN912, M16X120, 10.9 STEEL

1. Locate the wheel motor on both front axles.

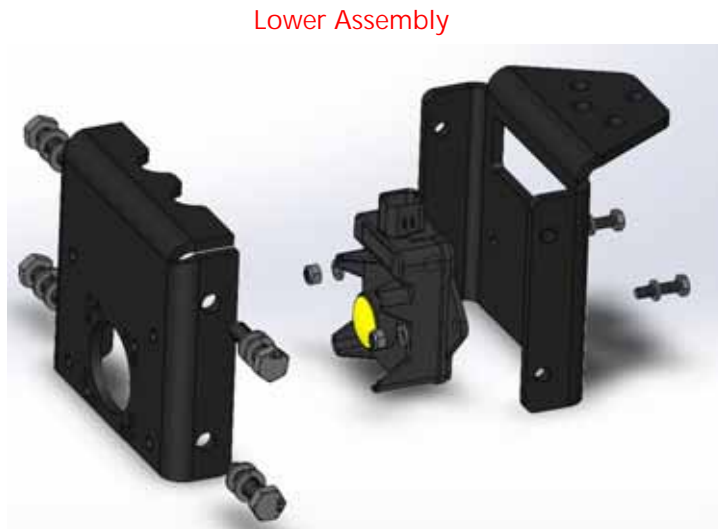
FIGURE 11. Mounting Location



2. Install the left and right brackets by removing the two wheel-motor bolts shown in Figure 11, "Mounting Location," above. Use provided M16 bolts and washers.
3. Mount the sensor bracket so it faces 45° forward using the M10 bolts.
4. Install the radar sensors to the brackets using the M6 hardware provided.

IMPORTANT: Torque the M16 bolts to 200 Nm [147.5 ft-lb].

FIGURE 12. Lower Assembly



NOTE: Prior to installing the sensor cover, record the serial number and whether the sensor is installed on the right or left side of the machine.

The sensor covers should be installed after the cabling is routed.

5. Make note of the serial number listed on the radar sensor.

FIGURE 13. Serial Number Location



NOTE: It is important to record the serial number. The radar device will be covered by a cover plate.

ROUTE THE CABLES

1. Connect the radar sensor cable (P/N 115-2020-049) to the 12-pin Aux Sensor connector on the VSN cable near the cable exit point at the rear, right of the cab as seen in Figure 14, "12-Pin Aux Sensor Connected to VSN Cable," below.

FIGURE 14. 12-Pin Aux Sensor Connected to VSN Cable



IMPORTANT: Ensure to route the cables along all of the hoses that lead to the drive motor to allow for the machine to change track width without damaging cables.

Do not allow the cables to hang anywhere under the machine to prevent cable damage from crops.

2. Route the cable along hoses with the first 4-pin breakout going to the front right sensor.
3. Ensure hydraulic hoses are followed and route the cable near the hydraulic wheel motor for added protection as seen in Figure 15, "Sensor Cable Routing," below.

FIGURE 15. Sensor Cable Routing



4. Route the other end of the cable to the front left sensor.

NOTE: Ensure proper cable routing by following hydraulic hoses and routing the cables through the protective covering around the hydraulic hoses (if applicable) for maximum protection.

FIGURE 16. Proper and Improper Cable Routing

Proper



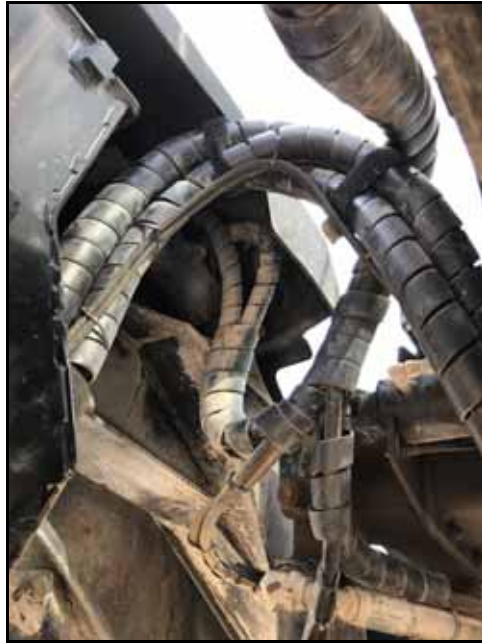
Improper



NOTE: Ensure the cable is routed away from hinge/pinch points under the machine bottom covers.

5. Install the sensor covers using the M10 bolts, washers, and lock washers.

FIGURE 17. Secured Cables



NOTE: Ensure the installed radar brackets will not interfere with the valve stem of the tire when the wheel rotates.

LIMITED WARRANTY

WHAT DOES THIS WARRANTY COVER?

This warranty covers all defects in workmanship or materials in your Raven Applied Technology Division product under normal use, maintenance, and service when used for intended purpose.

HOW LONG IS THE COVERAGE PERIOD?

Raven Applied Technology products are covered by this warranty for 12 months from the date of retail sale. In no case will the Limited Warranty period exceed 24 months from the date the product was issued by Raven Industries Applied Technology Division. This warranty coverage applies only to the original owner and is non-transferable.

HOW CAN I GET SERVICE?

Bring the defective part and proof of purchase to your Raven dealer. If the dealer approves the warranty claim, the dealer will process the claim and send it to Raven Industries for final approval. The freight cost to Raven Industries will be the customer's responsibility. The Return Materials Authorization (RMA) number must appear on the box and all documentation (including proof of purchase) must be included inside the box to be sent to Raven Industries.

WHAT WILL RAVEN INDUSTRIES DO?

Upon confirmation of the warranty claim, Raven Industries will (at our discretion) repair or replace the defective product and pay for the standard return freight, regardless of the inbound shipping method. Expedited freight is available at the customer's expense.

WHAT IS NOT COVERED BY THIS WARRANTY?

Raven Industries will not assume any expense or liability for repairs made outside our facilities without written consent. Raven Industries is not responsible for damage to any associated equipment or products and will not be liable for loss of profit, labor, or other damages. The obligation of this warranty is in lieu of all other warranties, expressed or implied, and no person or organization is authorized to assume any liability for Raven Industries.

Damages caused by normal wear and tear, misuse, abuse, neglect, accident, or improper installation and maintenance are not covered by this warranty.

EXTENDED WARRANTY

WHAT DOES THIS WARRANTY COVER?

This warranty covers all defects in workmanship or materials in your Raven Applied Technology Division product under normal use, maintenance, and service when used for intended purpose.

DO I NEED TO REGISTER MY PRODUCT TO QUALIFY FOR THE EXTENDED WARRANTY?

Yes. Products/systems must be registered within 30 days of retail sale to receive coverage under the Extended Warranty. If the component does not have a serial tag, the kit it came in must be registered instead.

WHERE CAN I REGISTER MY PRODUCT FOR THE EXTENDED WARRANTY?

To register, go online to www.ravenhelp.com and select Product Registration.

HOW LONG IS THE EXTENDED WARRANTY COVERAGE PERIOD?

Raven Applied Technology products that have been registered online are covered for an additional 12 months beyond the Limited Warranty for a total coverage period of 24 months from the date of retail sale. In no case will the Extended Warranty period exceed 36 months from the date the product was issued by Raven Industries Applied Technology division. This Extended Warranty coverage applies only to the original owner and is non-transferable.

HOW CAN I GET SERVICE?

Bring the defective part and proof of purchase to your Raven dealer. If the dealer approves the warranty claim, the dealer will process the claim and send it to Raven Industries for final approval. The freight cost to Raven Industries will be the customer's responsibility. The Return Materials Authorization (RMA) number must appear on the box and all documentation (including proof of purchase) must be included inside the box to be sent to Raven Industries. In addition, the words "Extended Warranty" must appear on the box and all documentation if the failure is between 12 and 24 months from the retail sale.

WHAT WILL RAVEN INDUSTRIES DO?

Upon confirmation of the product's registration for the Extended Warranty and the claim itself, Raven Industries will (at our discretion) repair or replace the defective product and pay for the standard return freight, regardless of the inbound shipping method. Expedited freight is available at the customer's expense.

WHAT IS NOT COVERED BY THE EXTENDED WARRANTY?

Raven Industries will not assume any expense or liability for repairs made outside our facilities without written consent. Raven Industries is not responsible for damage to any associated equipment or products and will not be liable for loss of profit, labor, or other damages. Cables, hoses, software enhancements, and remanufactured items are not covered by this Extended Warranty. The obligation of this warranty is in lieu of all other warranties, expressed or implied, and no person or organization is authorized to assume any liability for Raven Industries.

Damages caused by normal wear and tear, misuse, abuse, neglect, accident, or improper installation and maintenance are not covered by this warranty.