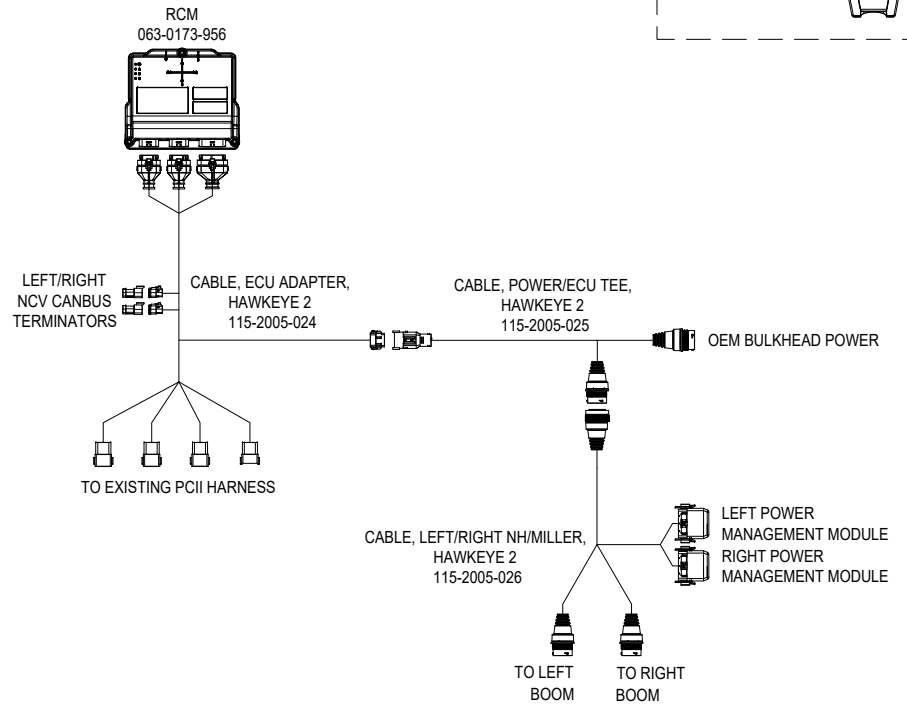
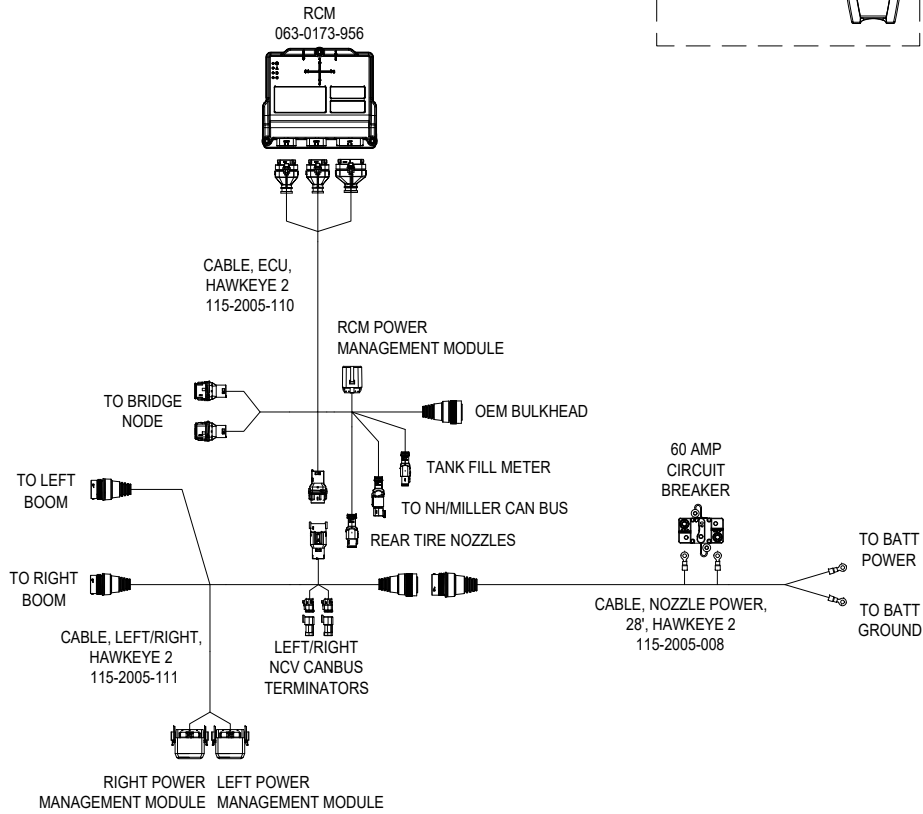
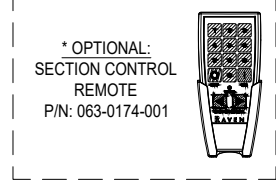
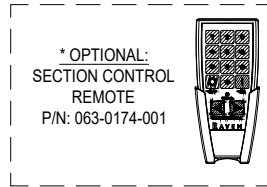


SYSTEM DRAWING, HAWKEYE 2, NEW HOLLAND/MILLER

CHASSIS CABLES, ALL MY17 MODELS & MY18 LARGE FRAME

CHASSIS CABLES, MY18 SMALL FRAME & ALL MY19+ MODELS



Notes:

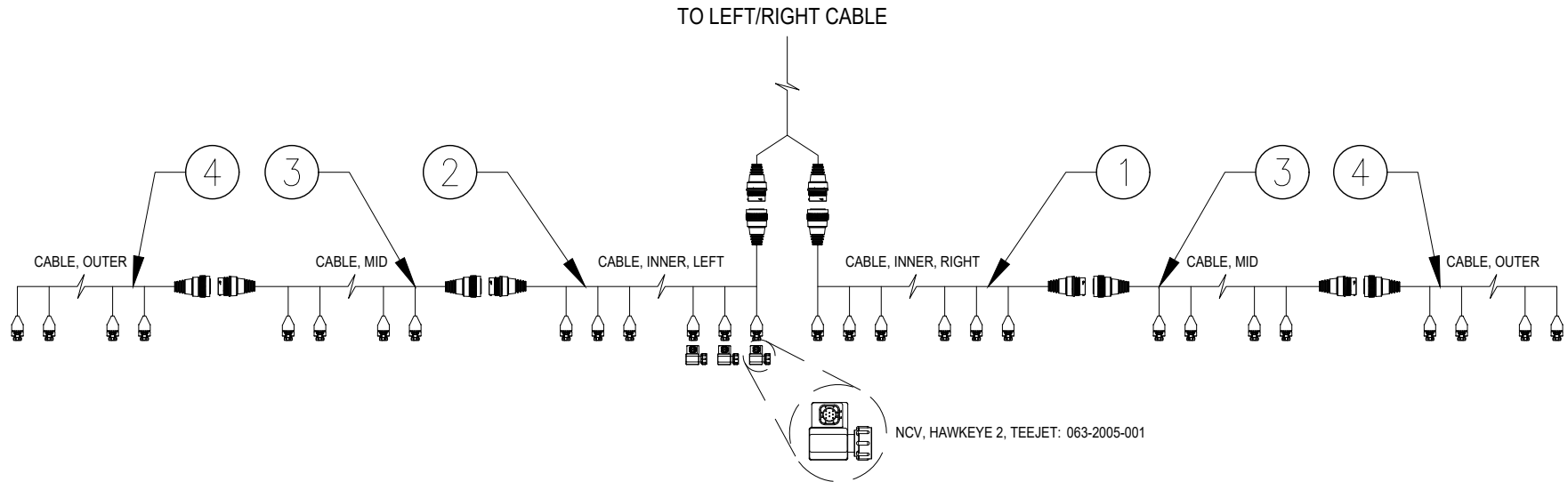
1. All CONFIGURATIONS UTILIZE THE SAME RCM MOUNTING BRACKET
2. KIT CONTAINS NECESSARY MOUNTING HARDWARE FOR REQUIRED MOUNTING LOCATION
3. RCM MOUNTING LOCATION DIFFERS BETWEEN EACH SET OF MODELS, REFER TO INSTALLATION MANUAL FOR SPECIFIC MOUNTING INSTRUCTIONS AND GUIDANCE

RELEASED DATE	ECO #	REV.	DRAWING NO.
12/2/19	34406	A	054-2005-003
3/10/21	36882	B	054-2005-003

SYSTEM DRAWING, HAWKEYE 2, NEW HOLLAND/MILLER

BOOM CABLES AND KITS, ALL MY17 MODELS & MY18 LARGE FRAME

ITEM NO.	DESCRIPTION	90' BOOM 15" SPACING MONO	90' BOOM 20" SPACING MONO	100' BOOM 15" SPACING MONO	100' BOOM 20" SPACING MONO	120' BOOM 15" SPACING MONO	120' BOOM 20" SPACING MONO	120' BOOM 15" SPACING TRUSS	120' BOOM 20" SPACING TRUSS	132' BOOM 15" SPACING TRUSS	132' BOOM 20" SPACING TRUSS	135' BOOM 15" SPACING TRUSS	135' BOOM 20" SPACING TRUSS
1	CABLE, INNER (RIGHT)	115-2005-340	115-2005-344	115-2005-340	115-2005-344	115-2005-342	115-2005-346	115-2005-112	115-2005-129	115-2005-112	115-2005-129	115-2005-112	115-2005-129
2	CABLE, INNER (LEFT)	115-2005-341	115-2005-345	115-2005-341	115-2005-345	115-2005-343	115-2005-347	115-2005-113	115-2005-130	115-2005-113	115-2005-130	115-2005-113	115-2005-130
3	CABLE, MID (QTY 2)	115-2005-235	115-2005-241	115-2005-235	115-2005-241	115-2005-231	115-2005-085	115-2005-114	115-2005-131	115-2005-226	115-2005-131	115-2005-226	115-2005-131
4	CABLE, OUTER (QTY 2)	115-2005-237	115-2005-243	115-2005-236	115-2005-242	115-2005-232	115-2005-086	115-2005-115	115-2005-244	115-2005-227	115-2005-245	115-2005-228	115-2005-132
N/A	NCV TOTAL	73	55	81	61	97	73	97	73	105	79	109	81
N/A	KITS	117-2005-210	117-2005-216	117-2005-212	117-2005-218	117-2005-214	117-2005-019	117-2005-011	117-2005-013	117-2005-080	117-2005-014	117-2005-081	117-2005-012



NOTES:

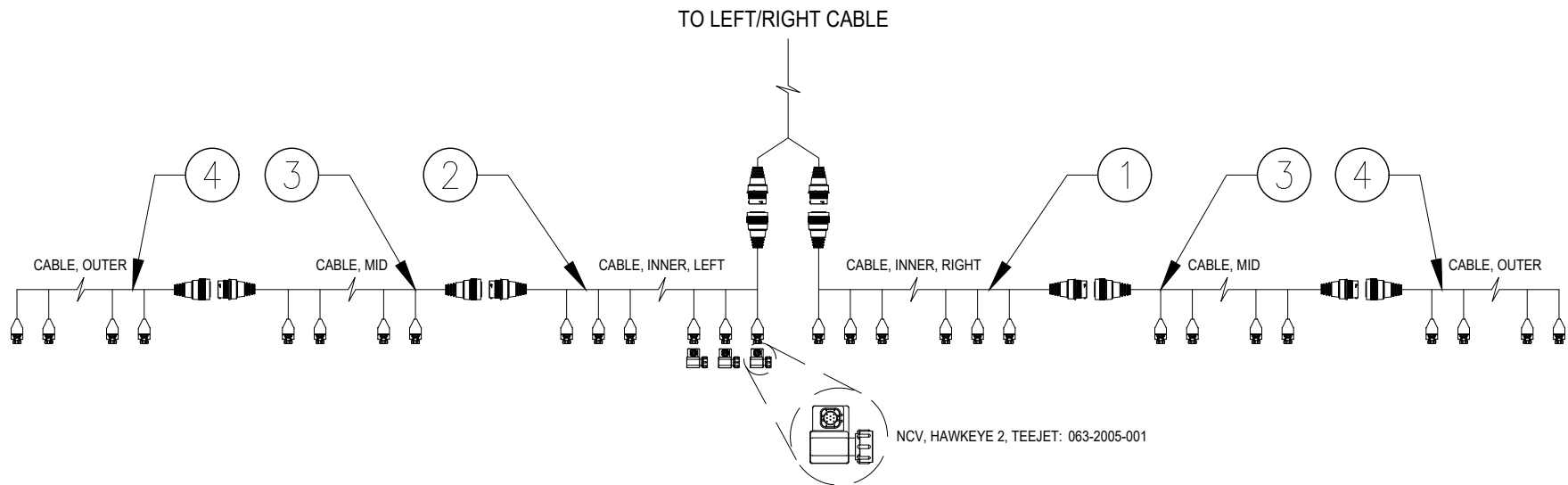
1. NOT ALL CONNECTIONS SHOWN
2. ALL KITS INCLUDE A SYSTEM SERVICE KIT SPECIFIC TO TEEJET NOZZLE BODIES - 117-2005-050
3. ALL KITS INCLUDE 2 O-RINGS SIZES FOR EACH NCV - 117-2005-115 (PURPLE) & 117-2005-116 (BLACK)
4. REFER TO INSTALLATION MANUAL - 016-2005-007

RELEASED DATE	ECO #	REV.	DRAWING NO.
12/2/19	34406	A	054-2005-003
3/10/21	36882	B	054-2005-003

SYSTEM DRAWING, HAWKEYE 2, NEW HOLLAND/MILLER

BOOM CABLES AND KITS, MY18 SMALL FRAME & ALL MY19+ MODELS

ITEM NO.	DESCRIPTION	90' BOOM 15" SPACING MONO	90' BOOM 20" SPACING MONO	100' BOOM 15" SPACING MONO	100' BOOM 20" SPACING MONO	120' BOOM 15" SPACING MONO	120' BOOM 20" SPACING MONO	120' BOOM 15" SPACING TRUSS	120' BOOM 20" SPACING TRUSS	120' BOOM 15" SPACING TRUSS MY20+	120' BOOM 20" SPACING TRUSS MY20+	132' BOOM 15" SPACING TRUSS	132' BOOM 20" SPACING TRUSS	135' BOOM 15" SPACING TRUSS	135' BOOM 20" SPACING TRUSS
1	CABLE, INNER (RIGHT)	115-2005-233	115-2005-240	115-2005-233	115-2005-240	115-2005-229	115-2005-083	115-2005-112	115-2005-129	115-2005-112	115-2005-129	115-2005-112	115-2005-129	115-2005-112	115-2005-129
2	CABLE, INNER (LEFT)	115-2005-234	115-2005-239	115-2005-234	115-2005-239	115-2005-230	115-2005-084	115-2005-113	115-2005-130	115-2005-113	115-2005-130	115-2005-113	115-2005-130	115-2005-113	115-2005-130
3	CABLE, MID (QTY 2)	115-2005-235	115-2005-241	115-2005-235	115-2005-241	115-2005-231	115-2005-085	115-2005-114	115-2005-131	115-2005-114	115-2005-131	115-2005-226	115-2005-131	115-2005-226	115-2005-131
4	CABLE, OUTER (QTY 2)	115-2005-237	115-2005-243	115-2005-236	115-2005-242	115-2005-232	115-2005-086	115-2005-115	115-2005-244	115-2005-303	115-2005-302	115-2005-227	115-2005-245	115-2005-228	115-2005-132
N/A	NCV TOTAL	73	55	81	61	97	73	97	73	97	73	105	79	109	81
N/A	KITS	117-2005-211	117-2005-217	117-2005-213	117-2005-219	117-2005-215	117-2005-010	117-2005-082	117-2005-015	117-2005-083	117-2005-016	117-2005-084	117-2005-017	117-2005-085	117-2005-018



NOTES:

1. NOT ALL CONNECTIONS SHOWN
2. ALL KITS INCLUDE A SYSTEM SERVICE KIT SPECIFIC TO TEEJET NOZZLE BODIES - 117-2005-050
3. ALL KITS INCLUDE 2 O-RINGS SIZES FOR EACH NCV - 117-2005-115 (PURPLE) & 117-2005-116 (BLACK)
4. REFER TO INSTALLATION MANUAL - 016-2005-006

RELEASED DATE	ECO #	REV.	DRAWING NO.
12/2/19	34406	A	054-2005-003
3/10/21	36882	B	054-2005-003