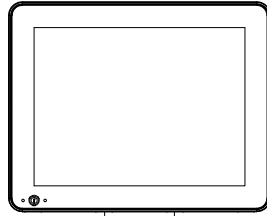


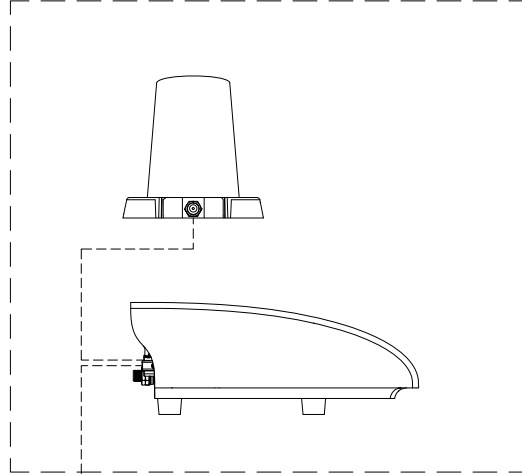
SYSTEM DRAWING, JD 6M INTERIM TIER 4, CR12, RS1, W/ IBBC

CONSOLE, CR12, UT UNLOCK
117-2295-001/005



KIT, JD 6M INTERIM TIER 4,
CR12, RS1, W/ IBBC
117-5034-277

KIT, RS1
117-5001-037/041



CAN DIAG. MODEM POWER

115-8000-376

3D GPS OUT/
RADAR OUT RTK CORR

115-8000-330

HDU
063-0173-887

115-8000-377

115-4010-207

SWITCHBOX
064-0171-463

115-4010-206

LOCK OUT LOCK IN
RT OUT RT IN
LF OUT LF IN
TO JD VALVE

115-8000-226

115-8000-254

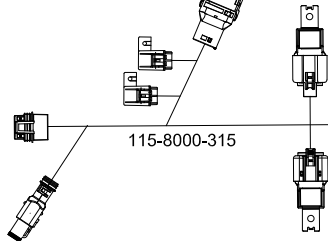
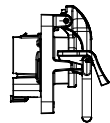
115-8000-135

408-4002-131

115-8000-381

115-8000-315

BATTERY GND
BATTERY 12V



RELEASED DATE	ECO #	REV.	DRAWING NO.
1/8/20	34100	A	054-5034-277
1/19/21	36750	B	054-5034-277