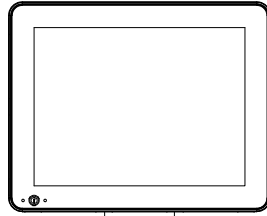


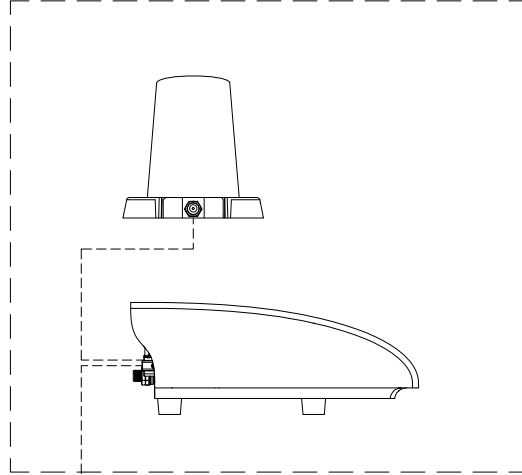
# SYSTEM DRAWING, JD 6M INTERIM TIER 4, CR12, RS1, W/O IBBC

CONSOLE, CR12, UT UNLOCK  
117-2295-001/005



KIT, JD 6M INTERIM TIER 4,  
CR12, RS1, W/O IBBC  
117-5034-276

KIT, RS1  
117-5001-037/041



CAN DIAG. MODEM POWER

115-8000-376

3D GPS OUT/  
RADAR OUT RTK CORR

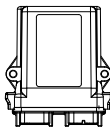
115-8000-330

HDU  
063-0173-887

115-8000-377

115-4010-207

SWITCHBOX  
064-0171-463



115-4010-206  
LOCK OUT LOCK IN  
RT OUT RT IN  
LF OUT LF IN  
TO JD VALVE

115-8000-226

WAS

ENCODER/VALVE

115-8000-254

115-8000-135

115-8000-381

115-8000-141

BATTERY GND  
BATTERY 12V

RELEASED DATE	ECO #	REV.	DRAWING NO.
1/8/20	34100	A	054-5034-276
1/19/21	36750	B	054-5034-276