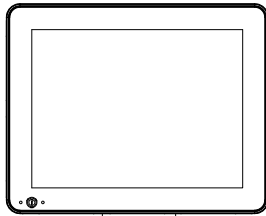
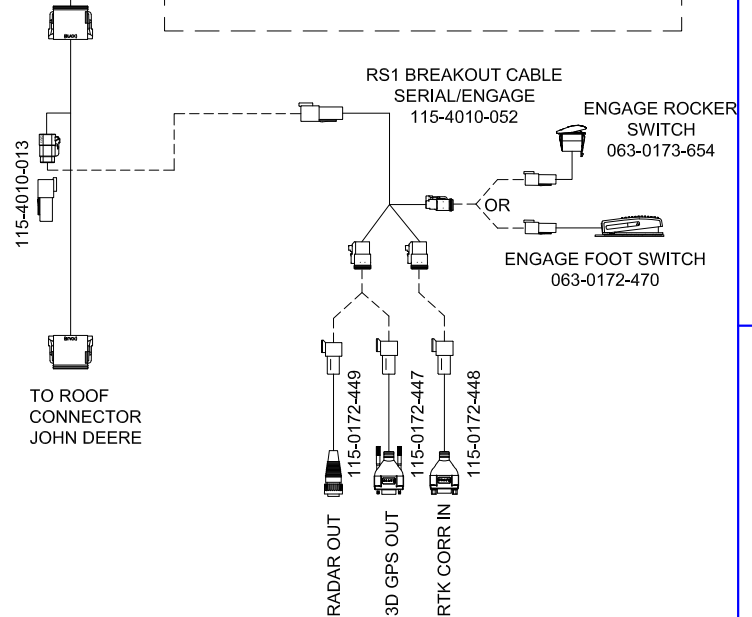
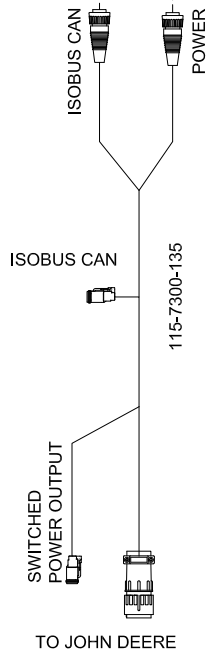
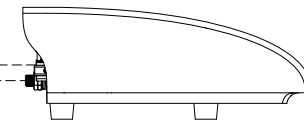
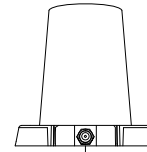


# SYSTEM DRAWING, JOHN DEERE 5R AR, CR12, RS1

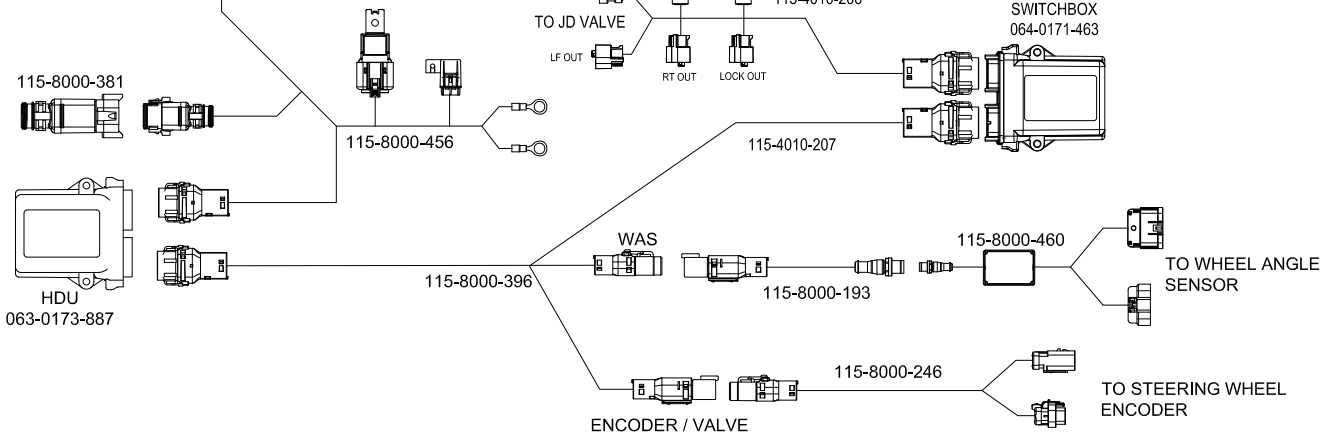
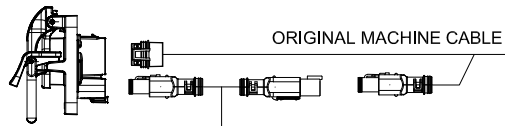
CONSOLE, CR12, UT UNLOCK  
117-2300-001/005  
CONSOLE, V4+, UT UNLOCK  
117-5010-068/069



KIT, RS1  
117-5001-037/041



MACHINES IBBC CONNECTOR



KIT, JOHN DEERE  
5R AR, CR12, RS1  
117-5035-247

RELEASED DATE	ECO #	REV.	DRAWING NO.
12/1/20	36399	B	054-5034-247
1/20/21	36753	C	054-5034-247