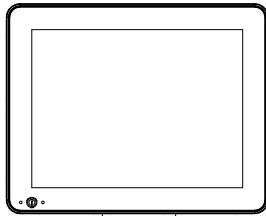
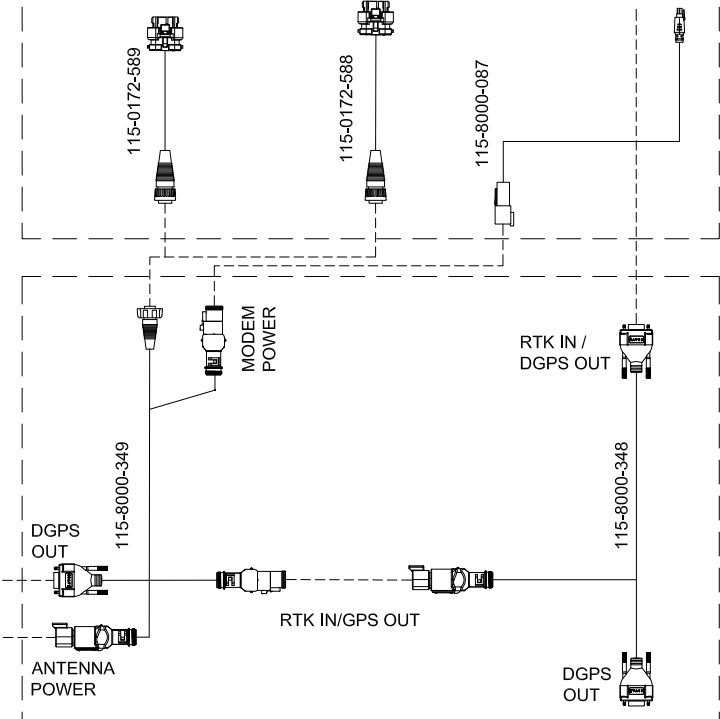
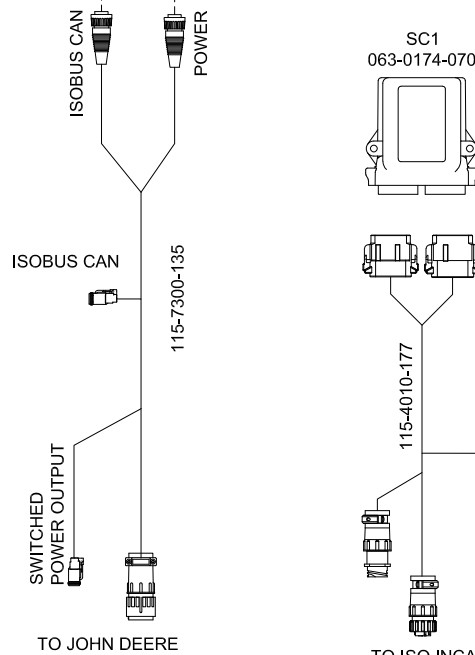
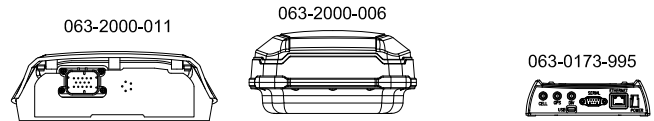


# SYSTEM DRAWING, JOHN DEERE 5R AR, CR12, SC1

CONSOLE, CR12, UT UNLOCK  
117-2300-001/005  
CONSOLE, V4+, UT UNLOCK  
117-5010-068/069

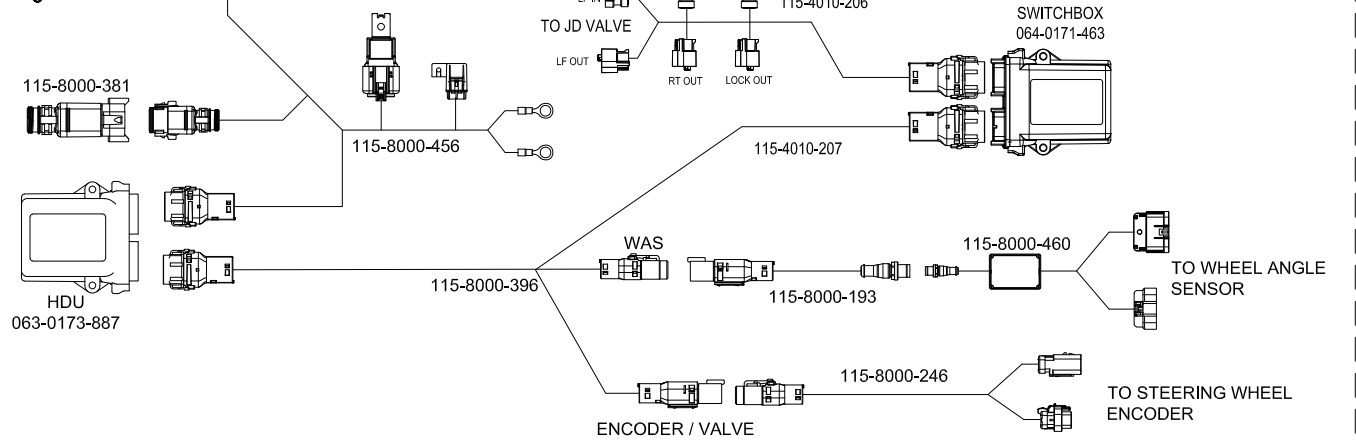
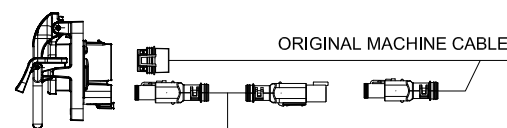


KIT, 500S, SBAS  
117-2000-020  
KIT, 700S, SBAS/GS/RTK  
117-2000-030 THRU -034



INSTALL KIT  
117-5035-040/041

MACHINES IBBC CONNECTOR



KIT, JOHN DEERE 5R AR,  
CR12, SC1 LEVEL 1  
117-5034-244

RELEASED DATE	ECO #	REV.	DRAWING NO.
5/6/20	35458	A	054-5034-244
1/20/21	36753	B	054-5034-244