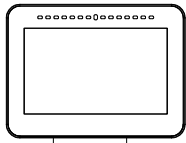
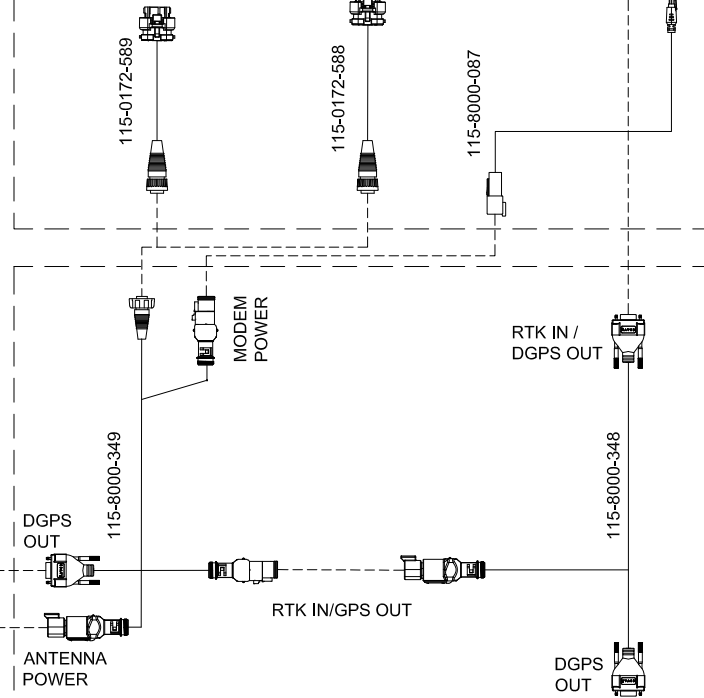
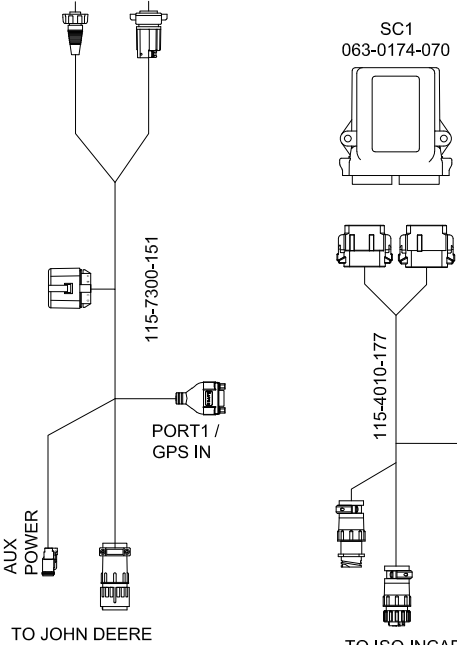
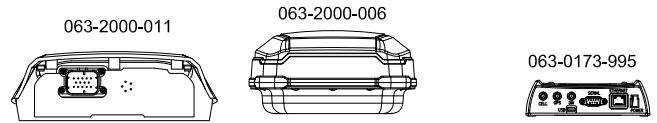


SYSTEM DRAWING, JOHN DEERE 5R AR, CR7, SC1

CONSOLE, CR7, UT UNLOCK
117-2295-014

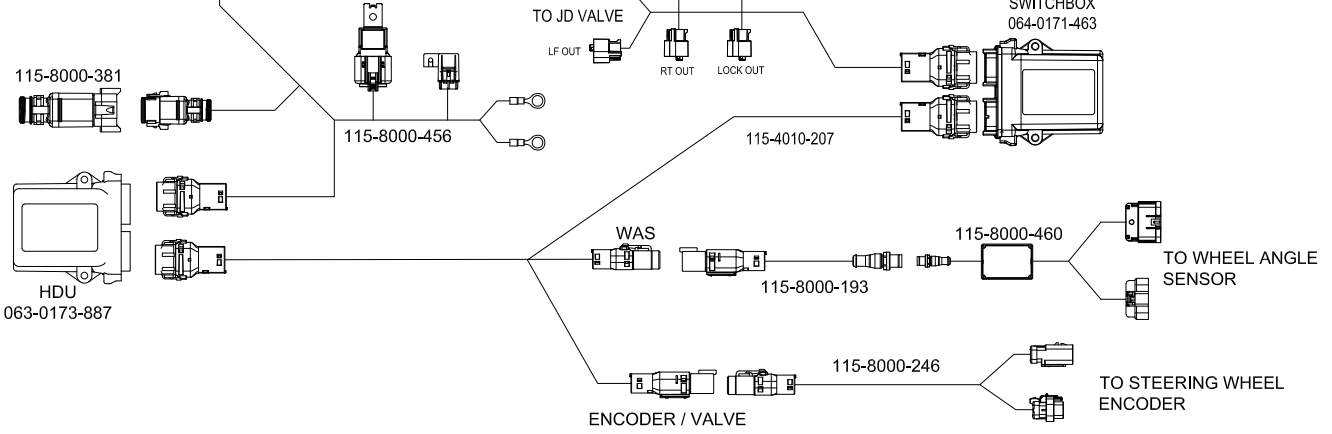
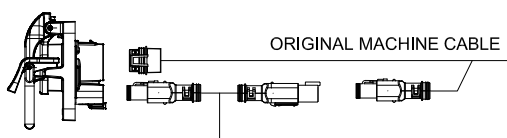


KIT, 500S, SBAS
117-2000-020
KIT, 700S, SBAS/GS/RTK
117-2000-030 THRU -034



INSTALL KIT
117-5035-040/041

MACHINES IBBC CONNECTOR



KIT, JOHN DEERE 5R AR,
CR7, SC1 LEVEL 1
117-5034-243

RELEASED DATE	ECO #	REV.	DRAWING NO.
5/6/20	35458	A	054-5034-243
1/20/21	36753	B	054-5034-243