

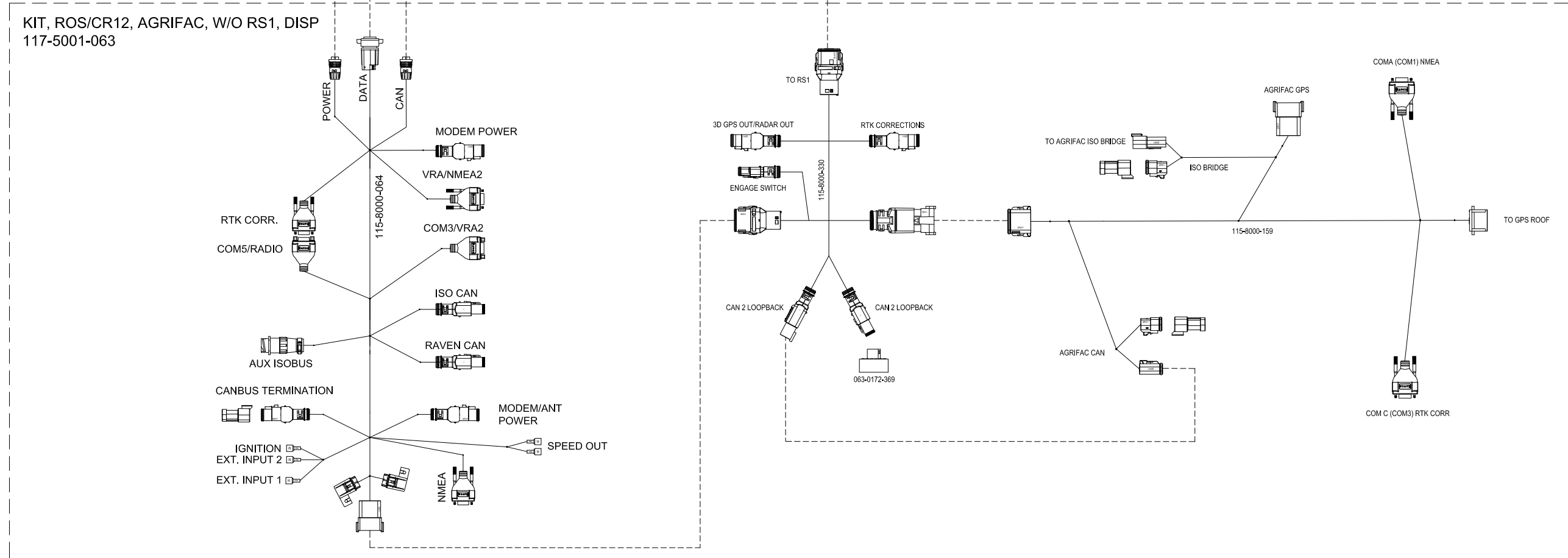
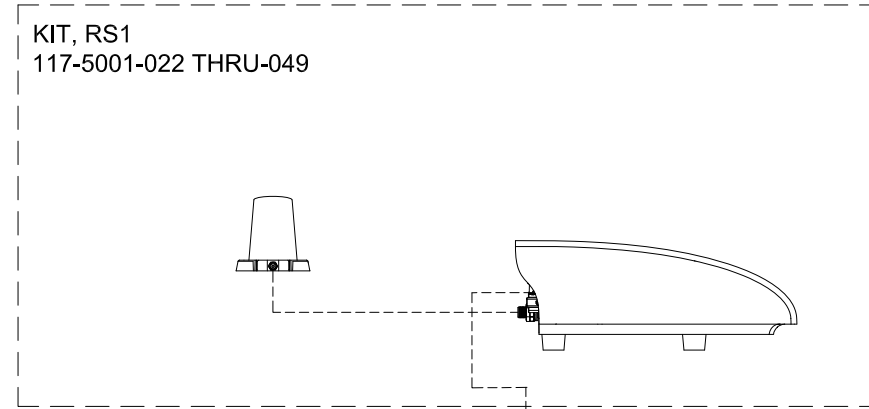
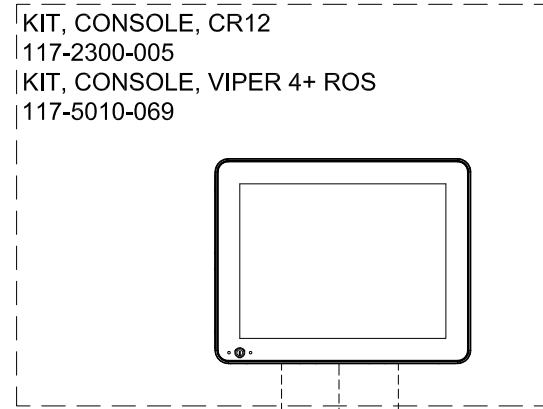
4

3

2

1

# SYSTEM DRAWING, OEM, AGRIFAC, VIPER 4+/CR12, RS1



B

B

A

A

4

3

2

1

RELEASED DATE	ECO #	REV.	DRAWING NO.
1/11/21	36642	A	054-5001-063