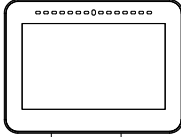
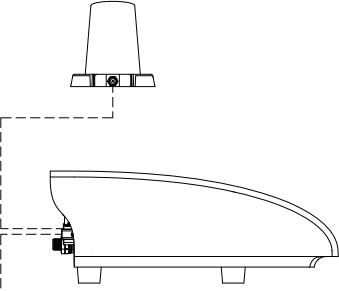
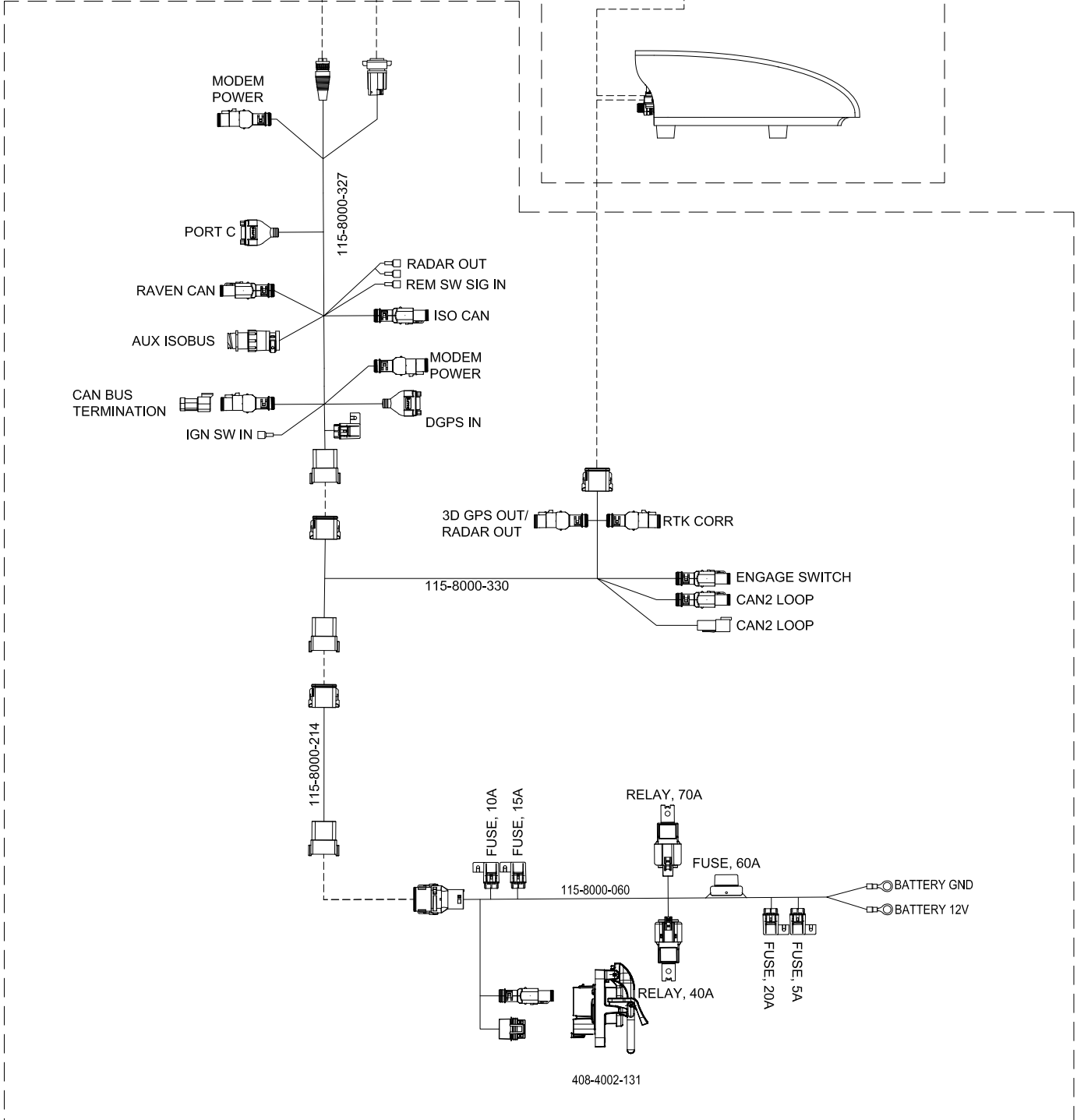


SYSTEM DRAWING, INSTALL, MANUAL GUIDANCE, CR7, RS1, W/ IBBC

CONSOLE, CR7, UT UNLOCK
117-2295-014



KIT, RS1
117-5001-037/041

KIT, INSTALL, MANUAL GUIDANCE, CR7, RS1, W/ IBBC
117-5035-111

RELEASED DATE	ECO #	REV.	DRAWING NO.
11/16/20	36168	A	054-5035-111