

Case IH Patriot 3240-
3340, MY 2017-18 Smar-
Trax to SC1 HDU Upgrade
Kit, Guidance & Steering
Installation Manual

016-5032-216 Rev. A

4/2020

E35264



DISCLAIMER

While every effort has been made to ensure the accuracy of this document, Raven Industries assumes no responsibility for omissions and errors. Nor is any liability assumed for damages resulting from the use of information contained herein.

Raven Industries shall not be responsible or liable for incidental or consequential damages or a loss of anticipated benefits or profits, work stoppage or loss, or impairment of data arising out of the use, or inability to use, this system or any of its components. Raven Industries shall not be held responsible for any modifications or repairs made outside our facilities, nor damages resulting from inadequate maintenance of this system.

As with all wireless and satellite signals, several factors may affect the availability and accuracy of wireless and satellite navigation and correction services (e.g. GPS, GNSS, SBAS, etc.). Therefore, Raven Industries cannot guarantee the accuracy, integrity, continuity, or availability of these services and cannot guarantee the ability to use Raven systems, or products used as components of systems, which rely upon the reception of these signals or availability of these services. Raven Industries accepts no responsibility for the use of any of these signals or services for other than the stated purpose.

Table of Contents

Chapter 1	Important Information.....	1
Safety		1
Displays and Control Consoles		1
Hydraulic Safety		2
Electrical safety		2
Touch Screen		2
Recommendations and Best Practices		3
Hose Routing		3
Harness Routing		3
Chapter 2	Introduction.....	5
Preparing for Installation		5
Recommendations		5
Point of Reference		5
Updates		6
Kit Contents		7
Chapter 3	Wheel Angle Sensor Installation	9
Assemble the Wheel Angle Sensor (WAS)		9
Install the WAS		9
Chapter 4	Cab Component Installation.....	13
Install the Hydraulic Drive Unit (HDU)		13
Install the HDU to Bulkhead Harness		13
Install the SC1 HDU Harness		14
Install the HDU Switch Harness Cable		15
Mount the HDU		17
Install the SC1		18
Install the SC1 Cables		19
Install the SC1 Tee Cable		19
SC1 GPS Connection		19
Install the Valve Harness Cable		20
Routine Operation		21
System Diagram		22

SAFETY

NOTICE

Follow the operation and safety instructions included with the implement and/or controller and read this manual carefully before installing or operating this Raven system.

- Follow all safety information presented within this manual. Review implement operation with your local dealer.
- Contact a local Raven dealer for assistance with any portion of the installation, service, or operation of Raven equipment.
- Follow all safety labels affixed to system components. Be sure to keep safety labels in good condition and replace any missing or damaged labels. Contact a local Raven dealer to obtain replacements for safety labels.

Observe the following safety measures when operating the implement after installing this Raven system:

- Do not operate this Raven system or any agricultural equipment while under the influence of alcohol or an illegal substance.
- Be alert and aware of surroundings and remain in the operator seat at all times when operating this Raven system.
 - Do not operate the implement on any public road with this Raven system enabled.
 - Disable this Raven system before exiting the operator seat.
 - Determine and remain a safe working distance from obstacles and bystanders. The operator is responsible for disabling the system when a safe working distance has diminished.
 - Disable this Raven system prior to starting any maintenance work on the implement or components of this Raven system.
- Do not attempt to modify or lengthen any of the system control cables. Extension cables are available from a local Raven dealer.

DISPLAYS AND CONTROL CONSOLES

- If the display will not be used for an extended period, it is best to remove the display from the machine and store it in a climate controlled environment. This may help to extend the service life of electronic components.
- To prevent theft, secure the display and GPS antenna when leaving the machine unattended.

WARNING

HYDRAULIC SAFETY

When installing or servicing a hydraulic system or hydraulic components, be aware that hydraulic fluid may be extremely hot and under high pressure. Caution must be exercised.

- Always wear appropriate personal protective equipment when installing or servicing hydraulic systems.
- Never attempt to open or work on a hydraulic system with the implement running.
- Any work performed on the hydraulic system must be done in accordance with the machine manufacturer's approved maintenance instructions.
- Care should always be taken when servicing or opening a system that has been pressurized.
- The implement or machine must remain stationary and switched off with booms or implement sections unfolded and supported during installation or maintenance.
- Take precautions to prevent foreign material or contaminants from being introduced into the implement hydraulic system. Contaminants that are able to bypass the hydraulic filtration system will reduce performance and may damage hydraulic components.
- Stand clear of the implement when starting the system for the first time after installing or servicing hydraulic components in case a hose has not been properly connected or tightened.

CAUTION

ELECTRICAL SAFETY

- Always verify that power leads are connected to the correct polarity as marked. Reversing the power leads could cause severe damage to the Raven system or other components.
- To prevent personal injury or fire, replace defective or blown fuses with only fuses of the same type and amperage.
- Do not connect the power leads to the battery until all system components are mounted and all electrical connections are completed.
- Always start the machine before initializing this Raven system to prevent power surges or peak voltage.
- To avoid tripping and entanglement hazards, route cables and harnesses away from walkways, steps, grab bars, and other areas used by the operator or service personnel when operating or servicing the equipment.

TOUCH SCREEN

- Only touch the touch-screen with your finger or by using a special touch-screen stylus/pen. Operating the touch-screen with sharp objects may cause permanent damage to the screen.
- Only clean the screen using a damp cloth. Never use caustic or other aggressive substances.

RECOMMENDATIONS AND BEST PRACTICES

HOSE ROUTING

The word “hose” is used to describe any flexible, fluid carrying components. Use the following guidelines and recommendations when connecting and routing hoses while installing or maintaining this Raven system:

- Leave protective caps/covers over hose ends until connecting the end into the hydraulic system to help prevent contaminants from entering the system.
- Follow existing hose runs already routed on the implement as much as possible. Proper hose routing should:
 - Secure hoses and prevent hoses from hanging below the implement.
 - Provide sufficient clearance from moving components and operational zones around shafts; universal joints and suspension components; pulleys, gears, belts, and chains; moving linkages, cylinders, articulation joints, etc.
 - Protect hoses from field debris and surrounding hazards (e.g. tree limbs, fence posts, crop stubble, dirt clumps or rocks that may fall or be thrown by the implement).
 - Protect hoses from sharp bends, twisting, or flexing over short distances and normal implement operation.
 - Ensure sufficient length for free movement of the implement during normal operation and prevent pulling, pinching, catching, or rubbing, especially in articulation and pivot points. Clamp hoses securely to force controlled movement of the hose.
 - Avoid abrasive surfaces and sharp edges such as sheared or flame cut corners, fastener threads or cap screw heads, hose clamp ends, etc.
 - Avoid areas where the operator or service personnel might step or use as a grab bar.
- Do not connect, affix, or allow hoses to come into contact with components with high vibration forces, hot surfaces, or components carrying hot fluids beyond the temperature rating of hose components.
 - Hoses should be protected or shielded if routing requires the hose to be exposed to conditions beyond hose component specifications.
- Avoid routing hoses in areas where damage may occur due to build up of material (e.g. dirt, mud, snow, ice, etc.).

HARNESS ROUTING

The word “harness” is used to describe any electrical cables and leads, both bundled and unbundled. Use the following guidelines and recommendations when connecting and routing harnesses while installing or maintaining this Raven system:

- Leave protective caps/covers over harness connectors until needed to avoid dirt and moisture from contaminating electrical circuits.
- Secure the harness to the frame or solid structural members at least every 12 in [30 cm].
- Follow existing harness runs already routed on the implement as much as possible. Proper harness routing should:
 - Secure harnessing and prevent the harness from hanging below the implement.
 - Provide sufficient clearance from moving components and operational zones around shafts; universal joints and suspension components; pulleys, gears, belts, and chains; moving linkages, cylinders, articulation joints, etc.
 - Protect harnessing from field debris and surrounding hazards (e.g. tree limbs, fence posts, crop stubble, dirt clumps or rocks that may fall or be thrown by the implement).

- Protect harnessing from sharp bends, twisting, or flexing over short distances and normal implement operation.
- Connectors and splices should not be located at bending points or in harness sections that move.
- Ensure sufficient length for free movement of the implement during normal operation and prevent pulling, pinching, catching, or rubbing, especially in articulation and pivot points. Clamp harnessing securely to force controlled movement of the harness.
- Avoid abrasive surfaces and sharp edges such as sheared or flame cut corners, fastener threads or cap screw heads, hose clamp ends, etc.
- Do not connect, affix, or allow harnessing to come into contact with components with high vibration forces, hot surfaces, or components carrying hot fluids beyond the temperature rating of harness components.
 - Harnessing should be protected or shielded if routing requires the hose to be exposed to conditions beyond harnessing component specifications.
- Avoid routing harnesses in areas where damage may occur due to build up of material (e.g. dirt, mud, snow, ice, etc.).
- Avoid routing harnesses in areas where the operator or service personnel might step or use as a grab bar.

IMPORTANT: Avoid applying direct spray or pressure washing of electrical components and connections. High pressure streams and sprays can penetrate seals, cause corrosion, or otherwise damage electrical components.
When performing maintenance:

- Inspect electrical components and connectors for corrosion, damaged pins or housings, etc. Repair or replace components or harnessing as necessary.
- Ensure connectors are kept clean and dry. Apply dielectric grease to the sealing surfaces of all connections exposed to moisture, dirt, debris, and other contaminants. Repair or replace harnessing as necessary.
- Clean electrical components with pressurized air, aerosol electrical cleaning agent, or low pressure rinse.
- Remove visible surface water from electrical components and connections using pressurized air or an aerosol cleaning agent. Allow components to dry thoroughly before reconnecting cables.
-

Congratulations on your purchase of the SC1 HDU system!

The following instructions are designed to assist with the proper installation of the SC1 HDU system. Refer to the SC1 Calibration & Operation Manual (P/N 016-4010-005) for assistance with calibrating the software and using the SC1 HDU system.

PREPARING FOR INSTALLATION

Before installing the SC1 HDU system, park the machine where the ground is level, clean, and dry. Turn off the machine and leave it turned off for the duration of the installation process.

During the installation process, follow good safety practices. Be sure to carefully read the instructions in this manual as you complete the installation process.

RECOMMENDATIONS

Raven Industries recommends the following best practices when installing or operating the SC1 HDU system for the first time, at the start of the season, or when moving the SC1 HDU system to another machine:

- Install the SC1 unit in the recommended location.
- Use part numbers to identify the parts.
- Do not remove the plastic wrap from a part until it is necessary for installation.
- Do not remove plastic caps from a part until it is necessary for installation.

POINT OF REFERENCE

The instructions in this manual assume that you are standing behind the machine, looking toward the cab.

UPDATES

Updates for Raven manuals as well as software updates for Raven consoles, and product controllers are available at the Applied Technology Division web site:

<https://portal.ravenprecision.com>

Sign up for e-mail alerts to receive notifications when updates for your Raven products are available on the Raven web site.

At Raven Industries, we strive to make your experience with our products as rewarding as possible. One way to improve this experience is to provide us with feedback on this manual.

Your feedback will help shape the future of our product documentation and the overall service we provide. We appreciate the opportunity to see ourselves as our customers see us and are eager to gather ideas on how we have been helping or how we can do better.

To serve you best, please send an email with the following information to

techwriting@ravenind.com

- Case IH Patriot 3240-3340, MY 2017-18 Smar-Trax to SC1 HDU Upgrade Kit, Guidance & Steering Installation Manual
- 016-5032-216 Rev. A
- Any comments or feedback (include chapter or page numbers if applicable).
- Let us know how long have you been using this or other Raven products.

We will not share your email or any information you provide with anyone else. Your feedback is valued and extremely important to us.

Thank you for your time.

KIT CONTENTS

This section contains a list of the components that are included in the SC1 HDU kit. Before beginning the system installation, compare the items in the kit with the components on this list. If you have questions about the kit, contact your Raven dealer.

FIGURE 1. SC1 HD Installation Kit (P/N 117-5032-216 Rev. A)

QTY	PART #	DESCRIPTION
1	053-0159-193	BOX, SHIPPING (LABELED 1 OF 2)
1	016-0171-649	SHEET, WARRANTY/HELP (016-5032-216)
1	063-0173-887	ECU, HYDRAULIC DRIVE UNIT (HDU)
1	063-0173-990	ECU, ISO, SC1, STANDARD
1	063-0173-961	MASTER SWITCH
1	107-0172-543	BRACKET, NODE MOUNTING, HDU GENERIC
1	107-0172-639	BRACKET, SC1, PATRIOT 3XXX/TRIDENT 5550
1	115-0172-467	CABLE, POWER ADAPTER, 3P DTM TO 6P DT
1	115-4010-182	CABLE, SC1/HDU, PATRIOT 3XXX/TRIDENT
1	115-4010-056	CABLE, HDU CIH PATRIOT MY17 NSR
1	115-4010-057	CABLE, HDU B TO BULKHEAD
1	115-4010-058	CABLE, SAUER VALVE TO BULKHEAD
1	115-4010-059	CABLE, HDU CAB SWITCHES MY2017 PATRIOT
1	016-4010-005	MANUAL, OPERATIONS, SC1
1	053-0159-074	ENVELOPE, PLASTIC
4	312-1001-168	NUT, FLANGED LOCK, 1/4"-20
4	312-4000-216	NUT, FLANGED NYLOCK, M6
4	312-6000-007K	NUT, HEX, M4-.7
1	117-0192-049	(LABELED 2 OF 2) KIT, WAS, CIH PATRIOT

FIGURE 2. Wheel Angle Sensor Kit (P/N 117-0192-049 Rev. E)

QTY	PART #	DESCRIPTION
1	053-0159-118	BOX, SHIPPING
1	107-0172-649	BRACKET, WAS, CIH PATRIOT, BASE END, STRAIGHT
1	416-0001-052	SENSOR, LINEAR NON-CONTACT, 300MM
1	116-0159-840	WELDMENT, WAS, CIH PATRIOT, BASE END, L SHAPE
1	053-0159-074	ENVELOPE, PLASTIC
2	103-0001-029	MOUNT, UNIVERSAL, M10 BALL
1	107-0172-030	BRACKET, WAS ROD MOUNTING
2	107-0172-037	SPACER, STEEL .406" ID X .750" OD X .75" LONG
2	312-1002-035	NUT, JAM, M10 X 1.5 PITCH X 5MM THICK
2	312-4000-059	NUT, 5/16"-18, LOCK NYLON INSERT
1	311-4050-226K	BOLT, HEX, METRIC, M10-1.5 X 40mm, CLASS 8.8
2	312-6001-042K	NUT, M10 X 1.5 LOCK NYL INSERT
1	311-0070-060	BOLT, FLANGED HEX, METRIC, M10-1.5 X 35mm, CLASS 8.8
4	313-2301-005	WASHER, FLAT, 5/16" SS
1	435-3003-056	CLAMP, U-BOLT, 1.25" X 5/16"-18
2	311-4070-140L	SCREW, SHCS, M6-1x40, 8.8, CLASS III
2	312-6000-017L	HEX NUT, M6-1, CLASS 8 STEEL, CLASS III COATING
2	313-1000-046	WASHER, HELICAL LOCK, 6MM
2	313-2300-129	WASHER, FLAT, 6MM, STEEL
2	107-0172-103	SPACER, STEEL .406" ID X .750" OD X .375" LONG

CHAPTER

3

WHEEL ANGLE SENSOR INSTALLATION

ASSEMBLE THE WHEEL ANGLE SENSOR (WAS)

FIGURE 1. WAS

Base-End
of Sensor



Rod-End of
Sensor

1. Install the M10 universal ball mounts (P/N 103-0001-029) and M10 jam nuts on both ends of the linear WAS (P/N 416-0001-052).
2. Leave the nuts and ball mounts loose until the sensor is installed later in the procedure.

INSTALL THE WAS

1. Park the machine on a level surface with the wheels pointing to the left.
2. Install the WAS base end mounting brackets on the right steering cylinder clevis using the provided M8 flat-head machine screws, flat washers, lock washers, and nuts.

FIGURE 2. WAS Base End Mounting Brackets Installed

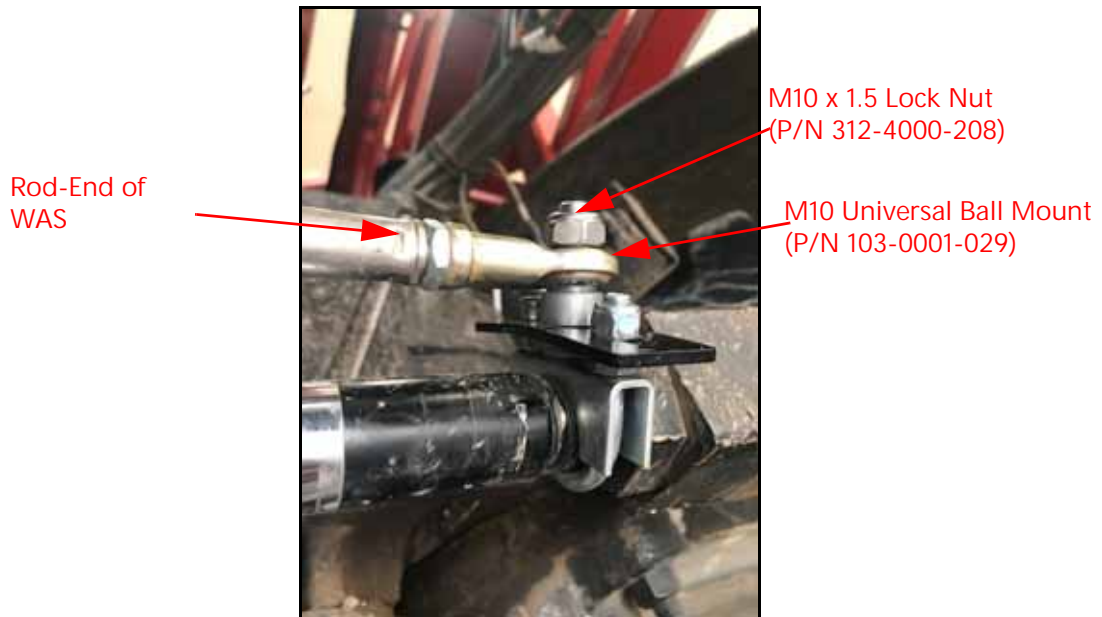


FIGURE 3. Small WAS Mounting Bracket Installed on Rod-End of Steering Cylinder



3. Remove the nuts and clamp from the 1-1/4" U-bolt clamp (P/N 435-3003-056).
4. Install the U-bolt clamp on the threaded rod-end of the right steering cylinder adjacent to the existing jam nut, positioning the U-bolt so that the threaded ends point upward.
5. Tighten the nuts to secure the U-bolt clamp in place.
6. Install 5/16" washers on the ends of the U-bolt clamp.
7. Insert one of the M10 x 1.5 x 40 metric hex bolts through the center hole of the small WAS mounting bracket (P/N 107-0172-030).
8. Install the small WAS mounting bracket on the ends of the U-bolt clamp so that the installed hex bolt points upward.
9. Install one 5/16" flat washer and one 5/16"-18 nylon insert lock nut on the each end of the U-bolt clamp to secure the small WAS mounting bracket.
10. Tighten the nuts to ensure the small WAS mounting bracket is installed securely.
11. Install a 0.406" ID x 0.750" OD x 0.375" long spacer (P/N 107-0172-037) on the end of the protruding hex bolt.

FIGURE 4. Rod-End of WAS Installed on Rod-End of Steering Cylinder



12. Install the ball mount on the rod-end of the WAS assembly on the installed hex bolt and secure it using an M10 x 1.5 lock nut.

FIGURE 5. Base-End of WAS Installed on Base-End of Steering Cylinder



13. Insert an M10 x 1.5 x 35 hex bolt (P/N 311-0070-025) through the back of the WAS base end mounting bracket.
14. Install the base-end of the WAS assembly on the hex bolt and secure it using an M10 x 1.5 nylon insert lock nut.
15. Orient the WAS so the cable plug is oriented as shown in Figure 5 on page 11.

FIGURE 6. WAS Installed



16. Tighten the M10 universal ball mounts and M10 jam nuts to each other on the WAS assembly to ensure they are installed securely.

CHAPTER

4

CAB COMPONENT INSTALLATION

INSTALL THE HYDRAULIC DRIVE UNIT (HDU)

INSTALL THE HDU TO BULKHEAD HARNESS

FIGURE 1. Access Panel to be Removed



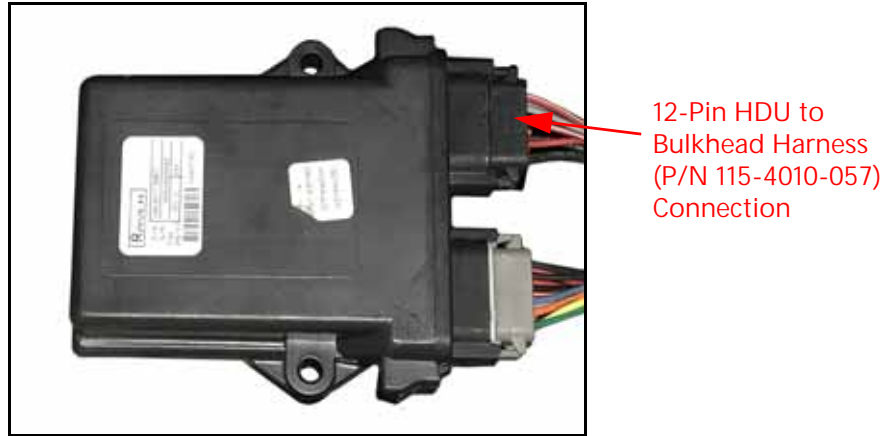
1. Locate and remove the wall panel behind the operator's seat.

FIGURE 2. Machine's Open Bulkhead Port



2. Locate the open bulkhead port at the rear of the cab.
3. Remove the bulkhead port cover.
4. Install the 31-pin connector of the HDU to bulkhead cable (P/N 115-4010-057) in the machine's bulkhead port.

FIGURE 3. HDU to Bulkhead Harness Cable Installed on HDU

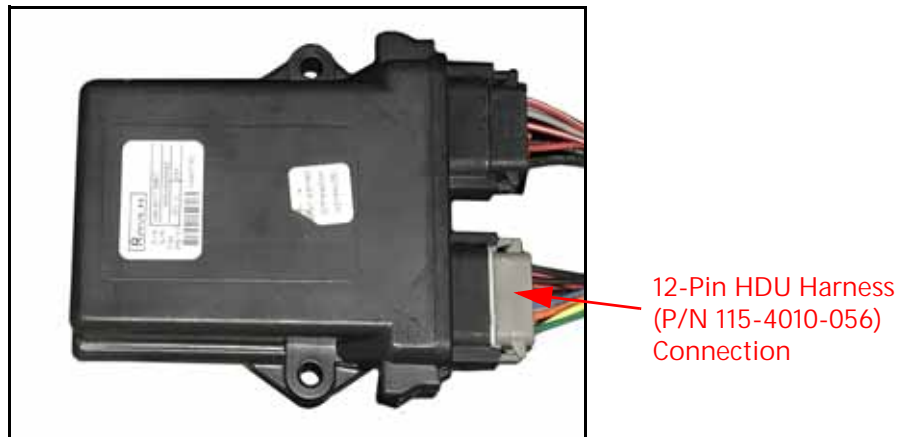


5. Connect the black 12-pin connector of the HDU to bulkhead harness cable (P/N 115-4010-057) to the mating port of the installed HDU (P/N 063-0173-887).

INSTALL THE SC1 HDU HARNESS

1. Connect the 2-pin connector of the SC1 HDU harness cable (P/N 115-4010-056) to the mating connector of the HDU to bulkhead harness (P/N 115-4010-057).

FIGURE 4. HDU Harness Cable Installed on HDU



2. Connect the gray 12-pin connector of the HDU harness cable (P/N 115-4010-056) to the mating port of the installed HDU (P/N 063-0173-887).

FIGURE 5. POWER Connection



3. Locate the X-211 PRODUCT CAN connector on the machine's harness (located in the compartment behind the access panel) and connect it to the mating 4-pin connector on the HDU harness cable.
4. Connect the machine's X-024M GPS POWER PORT connector (located in the fuse panel behind the operator's seat) to the mating connector on the power adapter cable (P/N 115-0172-467).
5. Connect the other end of the power adapter cable to the HDU harness cable POWER connector.

INSTALL THE HDU SWITCH HARNESS CABLE

FIGURE 6. HDU Harness Cable Connection



1. Connect the 8-pin CAB SWITCHES connector of the HDU harness cable (P/N 115-4010-056) to the mating female 8-pin connector of the HDU switch harness cable (P/N 115-4010-059).

FIGURE 7. Seat Switch Harness Connections



2. Locate and disconnect the machine's seat switch harness connections.
3. Connect the SEAT SWITCH harness connections of the HDU switch harness cable between the machine's seat switch connections.
4. Connect the ENGAGE connector of the HDU switch harness cable to the machine's mating X-708 REMOTE ENGAGE SWITCH connector, located in the compartment behind the access panel.

FIGURE 8. Master Switch Installation Location



5. Locate an unused switch port of the machine's control console.
6. Use a flat-head screwdriver to gently remove the cover of the unused switch port.
7. Route the MASTER connector on the HDU switch harness cable up the right corner post of the cab and into the control console casing.
8. Pull the MASTER connector through the switch port opening.

FIGURE 9. Master Switch Installed



9. Install the master switch (P/N 063-0173-961) on the MASTER connector of the HDU switch harness cable.
10. Feed the harness and switch wires back into the console casing.
11. Press on the switch casing to ensure the switch is securely installed.

MOUNT THE HDU

FIGURE 10. HDU Installed on HDU Mounting Bracket



1. Install the HDU (P/N 063-0173-887) on the HDU mounting bracket (P/N 107-0172-543) using two 1/4"-20 flanged lock nuts (P/N 312-1001-168).

FIGURE 11. HDU Mounting Bracket Installed



2. Secure the HDU mounting bracket in the access panel so that the HDU faces the cab wall using the existing mounting studs and four M6 flanged lock nuts (P/N 312-4000-216).

INSTALL THE SC1

1. Mount the SC1 node (P/N 063-0173-990) to the mounting studs on the node mounting bracket (P/N 107-0172-639) and secure using the supplied 1/4"-20 lock nuts.
2. Identify the SC1 mounting location.

FIGURE 12. SC1 Node Mounting Location



3. Remove the Auxiliary power port.
4. Mount the node and bracket assembly to the floor of the cab, underneath the cab floor plate using the four holes use to mount the auxiliary power port.

NOTE: It may be necessary to drill the holes out to install the SC1 mounting bracket.

5. Reinstall the auxiliary power port on the studs of the SC1 mounting bracket utilizing the nuts provided in the kit.

NOTE: The SC1 node must be mounted in a horizontal orientation. Ensure that the direction of the node is recorded, as this information will be required to complete calibration of the SC1 system.

INSTALL THE SC1 CABLES

INSTALL THE SC1 TEE CABLE

1. Connect the gray and green 12-pin connectors on the SC1 tee cable (P/N 115-4010-182) into the mating ports of the SC1 (063-0173-990).
2. Locate the machine's 35-pin XB-5 BULKHEAD PRODUCT CAB connector on the wall in the back-left corner of the cab.

FIGURE 13. Machine's Bulkhead Port



3. Disconnect the machine's XB-5 connector from the bulkhead.
4. Connect the machine's harness connector to the mating 35-pin connector on the SC1 tee cable inside of the cab.
5. Connect the remaining 35-pin connector of the SC1 tee cable to the open port of the machine's bulkhead.

SC1 GPS CONNECTION

Connect the machine's GPS Receiver into the DB9 connector labeled "GPS IN."

NOTE: A 2-pin Deutsch connector has been provided to power the GPS receiver.

INSTALL THE VALVE HARNESS CABLE

1. From beneath the cab, connect the round, 31-pin connector of the valve harness (P/N 115-4010-058) to the mating 31-pin connector of the bulkhead harness cable (P/N 115-4010-057).

FIGURE 14. VALVE Harness Cable Installation Location



2. Connect the 4-pin VALVE connector to the open port of the SC1 hydraulic valve (P/N 334-0003-088).

FIGURE 15. PS1 and PS2 Connections



3. Install the PSI 1 and PSI 2 connectors on the pressure transducers installed in Ports A1 and B1 of the dual transducer pressure ma(P/N 334-0003-085).

NOTE: The connectors can be installed in either port of the flow switch.

FIGURE 16. WAS Connection



4. Connect the WAS connector to the base-end of the installed WAS (P/N 416-0001-052).

ROUTINE OPERATION

FIGURE 17. Foot Switch Location

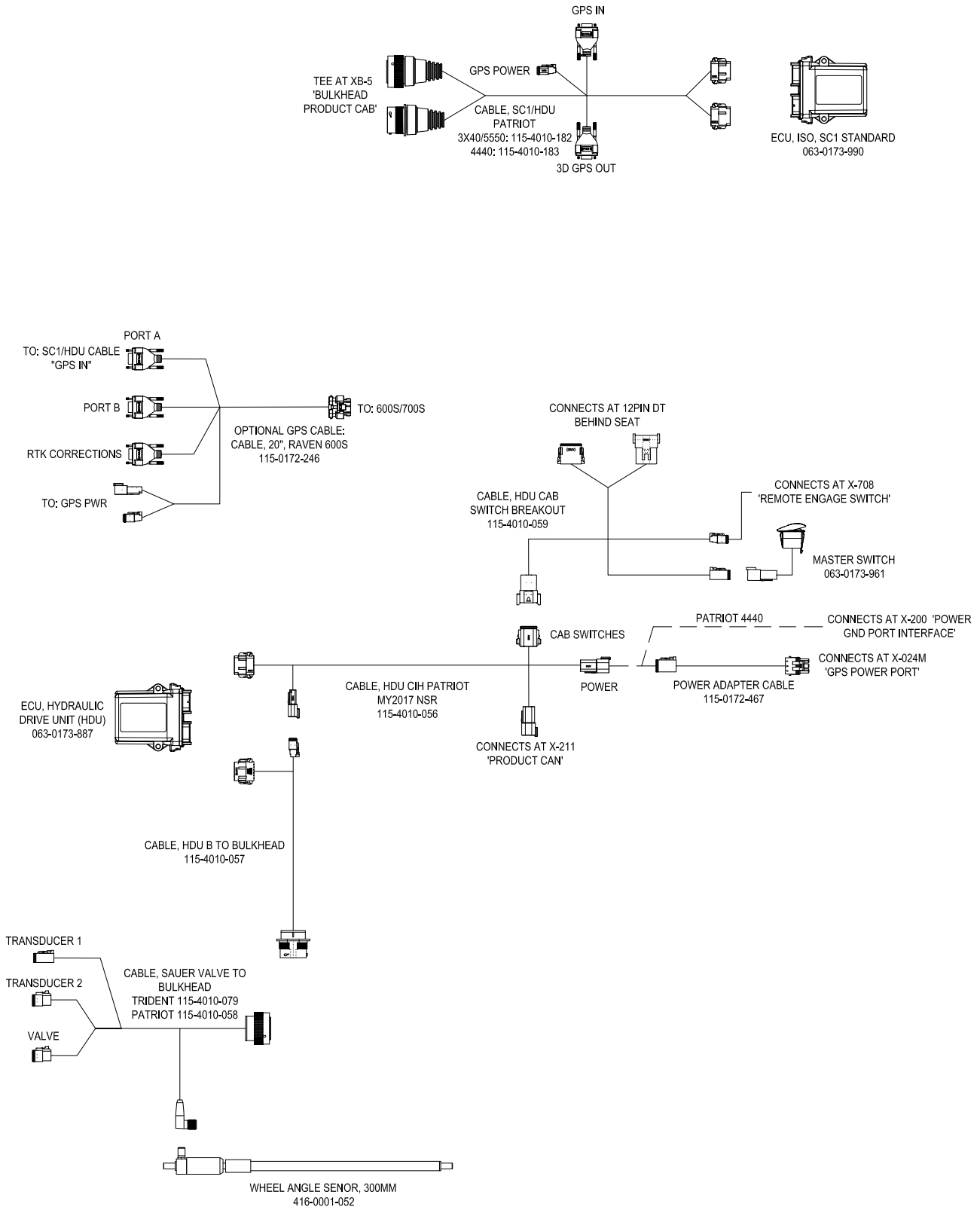


Locate and identify the resume switch on the joystick as it is required for SC1 system operation.

Refer to the Raven SC1 Guidance and Steering Calibration & Operation Manual (P/N 016-4010-005) for instructions on Calibrating the SC1 system, adjusting system settings, and system operation.

SYSTEM DIAGRAM

FIGURE 18. SmarTrax to SC1/HDU Upgrade Kit (P/N 054-5032-216)



C

- Cab Component Installation 13
 - Installing the Hydraulic Drive Unit (HDU) 13
 - Installing the HDU Switch Harness Cable 15
 - Installing the HDU to Bulkhead Harness 13
 - Installing the SC1 HDU Harness 14
 - Mounting the HDU 17
 - Installing the Master Switch 21
 - Installing the Valve Harness Cable 20
 - Installing the SC1 Cables 19
 - Install the SC1 Tee Cable 19

I

- Introduction 5
 - Kit Contents 7
 - Preparing for Installation 5
 - Point of Reference 5
 - Recommendations 5
 - Updates 6

K

- Kit Contents 7

R

- Routine Operation 21

S

- System Diagram 22

U

- Updates 6

W

- Wheel Angle Sensor Installation 9
 - Assembling the Wheel Angle Sensor (WAS) 9
 - Installing the WAS 9

LIMITED WARRANTY

WHAT DOES THIS WARRANTY COVER?

This warranty covers all defects in workmanship or materials in your Raven Applied Technology Division product under normal use, maintenance, and service when used for intended purpose.

HOW LONG IS THE COVERAGE PERIOD?

Raven Applied Technology products are covered by this warranty for 12 months from the date of retail sale. In no case will the Limited Warranty period exceed 24 months from the date the product was issued by Raven Industries Applied Technology Division. This warranty coverage applies only to the original owner and is non-transferable.

HOW CAN I GET SERVICE?

Bring the defective part and proof of purchase to your Raven dealer. If the dealer approves the warranty claim, the dealer will process the claim and send it to Raven Industries for final approval. The freight cost to Raven Industries will be the customer's responsibility. The Return Materials Authorization (RMA) number must appear on the box and all documentation (including proof of purchase) must be included inside the box to be sent to Raven Industries.

WHAT WILL RAVEN INDUSTRIES DO?

Upon confirmation of the warranty claim, Raven Industries will (at our discretion) repair or replace the defective product and pay for the standard return freight, regardless of the inbound shipping method. Expedited freight is available at the customer's expense.

WHAT IS NOT COVERED BY THIS WARRANTY?

Raven Industries will not assume any expense or liability for repairs made outside our facilities without written consent. Raven Industries is not responsible for damage to any associated equipment or products and will not be liable for loss of profit, labor, or other damages. The obligation of this warranty is in lieu of all other warranties, expressed or implied, and no person or organization is authorized to assume any liability for Raven Industries.

Damages caused by normal wear and tear, misuse, abuse, neglect, accident, or improper installation and maintenance are not covered by this warranty.

EXTENDED WARRANTY

WHAT DOES THIS WARRANTY COVER?

This warranty covers all defects in workmanship or materials in your Raven Applied Technology Division product under normal use, maintenance, and service when used for intended purpose.

DO I NEED TO REGISTER MY PRODUCT TO QUALIFY FOR THE EXTENDED WARRANTY?

Yes. Products/systems must be registered within 30 days of retail sale to receive coverage under the Extended Warranty. If the component does not have a serial tag, the kit it came in must be registered instead.

WHERE CAN I REGISTER MY PRODUCT FOR THE EXTENDED WARRANTY?

To register, go online to www.ravenhelp.com and select Product Registration.

HOW LONG IS THE EXTENDED WARRANTY COVERAGE PERIOD?

Raven Applied Technology products that have been registered online are covered for an additional 12 months beyond the Limited Warranty for a total coverage period of 24 months from the date of retail sale. In no case will the Extended Warranty period exceed 36 months from the date the product was issued by Raven Industries Applied Technology division. This Extended Warranty coverage applies only to the original owner and is non-transferable.

HOW CAN I GET SERVICE?

Bring the defective part and proof of purchase to your Raven dealer. If the dealer approves the warranty claim, the dealer will process the claim and send it to Raven Industries for final approval. The freight cost to Raven Industries will be the customer's responsibility. The Return Materials Authorization (RMA) number must appear on the box and all documentation (including proof of purchase) must be included inside the box to be sent to Raven Industries. In addition, the words "Extended Warranty" must appear on the box and all documentation if the failure is between 12 and 24 months from the retail sale.

WHAT WILL RAVEN INDUSTRIES DO?

Upon confirmation of the product's registration for the Extended Warranty and the claim itself, Raven Industries will (at our discretion) repair or replace the defective product and pay for the standard return freight, regardless of the inbound shipping method. Expedited freight is available at the customer's expense.

WHAT IS NOT COVERED BY THE EXTENDED WARRANTY?

Raven Industries will not assume any expense or liability for repairs made outside our facilities without written consent. Raven Industries is not responsible for damage to any associated equipment or products and will not be liable for loss of profit, labor, or other damages. Cables, hoses, software enhancements, and remanufactured items are not covered by this Extended Warranty. The obligation of this warranty is in lieu of all other warranties, expressed or implied, and no person or organization is authorized to assume any liability for Raven Industries.

Damages caused by normal wear and tear, misuse, abuse, neglect, accident, or improper installation and maintenance are not covered by this warranty.