

VSN Installation Manual for Case Patriot 4xxx (90', 100', and 120' Booms)

016-2022-004 Rev. A

9/2019

E33206



DISCLAIMER

While every effort has been made to ensure the accuracy of this document, Raven Industries assumes no responsibility for omissions and errors. Nor is any liability assumed for damages resulting from the use of information contained herein.

Raven Industries shall not be responsible or liable for incidental or consequential damages or a loss of anticipated benefits or profits, work stoppage or loss, or impairment of data arising out of the use, or inability to use, this system or any of its components. Raven Industries shall not be held responsible for any modifications or repairs made outside our facilities, nor damages resulting from inadequate maintenance of this system.

As with all wireless and satellite signals, several factors may affect the availability and accuracy of wireless and satellite navigation and correction services (e.g. GPS, GNSS, SBAS, etc.). Therefore, Raven Industries cannot guarantee the accuracy, integrity, continuity, or availability of these services and cannot guarantee the ability to use Raven systems, or products used as components of systems, which rely upon the reception of these signals or availability of these services. Raven Industries accepts no responsibility for the use of any of these signals or services for other than the stated purpose.

Chapter 1	Important Safety Information.....	1
General	2
Instructions for Wire Routing	2
Chapter 2	Introduction.....	5
Preparing for Installation	5
Prerequisites	5
Recommendations	5
Point of Reference	5
Updates	6
Kit Contents	6
Chapter 3	Installation	9
Mounting VSN	9
90'-100' Boom Configurations	9
120' Boom Configurations	11
Cabling and Connection	13
VSN Camera Cable	14
VSN Cab Cable	16
Optional Ethernet Cable	18
Reflective Decals	18

CHAPTER

1

IMPORTANT SAFETY INFORMATION

NOTICE

Read this manual and the operation and safety instructions included with your implement and/or controller carefully before installing the VSN system.

- Follow all safety information presented within this manual.
- If you require assistance with any portion of the installation or service of your Raven equipment, contact your local Raven dealer for support.
- Follow all safety labels affixed to the VSN system components. Be sure to keep safety labels in good condition and replace any missing or damaged labels. To obtain replacements for missing or damaged safety labels, contact your local Raven dealer.

When operating the machine after installing VSN, observe the following safety measures:

- Be alert and aware of surroundings.
- Do not operate VSN or any agricultural equipment while under the influence of alcohol or an illegal substance.
- Remain in the operator's position or a safe working distance away from the booms at all times when VSN is engaged.
- Disable VSN when exiting from the operator's seat and machine.
- Do not drive the machine with VSN enabled on any public road.
- Determine and remain a safe working distance from other individuals. The operator is responsible for disabling VSN when the safe working distance has diminished.
- Ensure VSN is disabled prior to starting any maintenance work on VSN or the machine.

WARNING

- The machine must remain stationary and switched off, with the booms unfolded and supported, during installation or maintenance.

CAUTION

GENERAL

- Always verify that the power leads are connected to the correct polarity as marked. Reversing the power leads could cause severe damage to the equipment.
- Ensure that the power cable is the last cable to be connected.
- A minimum of 12 VDC is required for system operation with a maximum of 15 VDC.

INSTRUCTIONS FOR WIRE ROUTING

The word “harness” is used to mean all electrical leads and cables, bundled and unbundled. When installing harness, secure it at least every 30 cm (12in) to the frame. Follow existing harness as much as possible and use these guidelines:

Harness should not contact or be attached to:

- Lines and hoses with high vibration forces or pressure spikes
- Lines and hoses carrying hot fluids beyond harness component specifications

Avoid contact with any sharp edge or abrading surfaces such as, but not limited to:

- Sheared or flame cut edges
- Edges of machined surfaces
- Fastener threads or cap screw heads
- Ends of adjustable hose clamps
- Wire exiting conduit without protection, either ends or side of conduit
- Hose and tube fittings

Routing should not allow harnesses to:

- Hang below the unit
- Have the potential to become damaged due to exposure to the exterior environment. (i.e. tree limbs, debris, attachments)
- Be placed in areas of or in contact with machine components which develop temperatures higher than the temperature rating of harness components
- Wiring should be protected or shielded if it needs to route near hot temperatures beyond harness component specifications

Harnessing should not have sharp bends

Allow sufficient clearance from machine component operational zones such as:

- Drive shafts, universal joints and hitches (i.e. 3-point hitch)
- Pulleys, gears, sprockets
- Deflection and backlash of belts and chains
- Adjustment zones of adjustable brackets

- Changes of position in RS1 HD and suspension systems
- Moving linkages, cylinders, articulation joints, attachments
- Ground engaging components

For harness sections that move during machine operation:

- Allow sufficient length for free movement without interference to prevent: pulling, pinching, catching or rubbing, especially in articulation and pivot points
- Clamp harnesses securely to force controlled movement to occur in the desired harness section
- Avoid sharp twisting or flexing of harnesses in short distances
- Connectors and splices should not be located in harness sections that move

Protect harnesses from:

- Foreign objects such as rocks that may fall or be thrown by the unit
- Buildup of dirt, mud, snow, ice, submersion in water and oil
- Tree limbs, brush and debris
- Damage where service personnel or operators might step or use as a grab bar
- Damage when passing through metal structures

IMPORTANT:

- Avoid directly spraying electrical components and connections with high pressure water. High pressure water sprays can penetrate seals and cause electrical components to corrode or otherwise become damaged. When performing maintenance:
- Inspect all electrical components and connections for damage or corrosion. Repair or replace components, connections, or cable as necessary.
- Ensure connections are clean, dry, and not damaged. Repair or replace components, connections, or cable as necessary.
- Clean components or connections using low pressure water, pressurized air, or an aerosol electrical component cleaning agent.
- Remove visible surface water from components, connections, or seals using pressurized air or an aerosol electrical component cleaning agent. allow components to dry completely before reconnecting cables.

The following instructions are designed to assist with the proper installation of the VSN system. Refer to the VSN Calibration & Operation Manual (P/N 016-2020-001) for assistance with calibrating and using the VSN system.

PREPARING FOR INSTALLATION

Before installing the VSN system, park the machine where the ground is level, clean, and dry. Turn off the machine and leave it turned off for the duration of the installation process.

During the installation process, follow good safety practices. Be sure to carefully read the instructions in this manual to complete the installation process.

PREREQUISITES

The following components must be installed with the VSN system.

- RS1™
- Viper® 4 with ROS version 3.4 or newer

Follow the installation instructions provided with these components before installing VSN.

RECOMMENDATIONS

Raven Industries recommends the following best practices when installing or operating the VSN system for the first time or at the start of the season:

- Install the VSN unit in the recommended location.
- Use part numbers to help identify parts.
- Do not remove the plastic wrap from a part until it is necessary for installation.

POINT OF REFERENCE

The instructions in this manual assume that you are standing behind the machine, looking toward the cab.

UPDATES

Software and manual updates are available on the Raven Applied Technology website:

<http://www.ravenprecision.com>

At Raven Industries, we strive to make your experience with our products as rewarding as possible. One way to improve this experience is to provide us with feedback on this manual.

Your feedback will help shape the future of our product documentation and the overall service we provide. We appreciate the opportunity to see ourselves as our customers see us and are eager to gather ideas on how we have been helping or how we can do better.

To serve you best, please send an email with the following information to

techwriting@ravenind.com

- VSN Installation Manual for Case Patriot 4xxx (90', 100', and 120' Booms)
- 016-2022-004 Rev. A
- Any comments or feedback (include chapter or page numbers if applicable).
- Let us know how long have you been using this or other Raven products.

We will not share your email or any information you provide with anyone else. Your feedback is valued and extremely important to us.

Thank you for your time.

KIT CONTENTS

This section contains a list of the components that are included in the VSN kit. Before beginning the system installation, compare the items in the kit with the components on this list. If you have questions about the kit, contact your Raven dealer.

FIGURE 1. VSN Installation Kit for Case IH Patriot 4xxx Series (90' and 100' Boom)

THIS KIT TO CONTAIN THE FOLLOWING ITEMS LISTED BELOW:

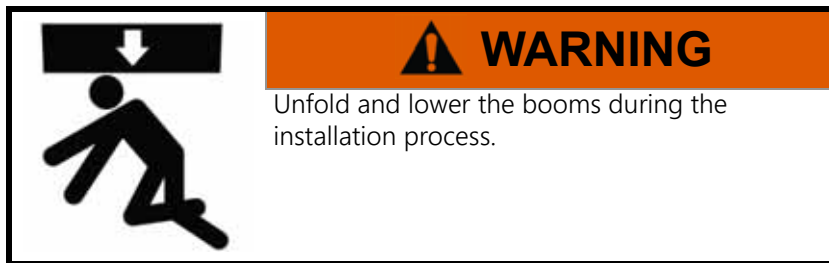
ITEM #	QTY	PART #	DESCRIPTION
1	1	053-0159-087	BOX, SHIPPING
2	1	115-2020-001	CABLE, VSN, CAB PATRIOT 4XXX MY 17-18
3	1	115-2020-002	CABLE, VSN, PATRIOT 4XXX MY 17-18
4	1	116-0159-838	WELDMENT, VSN, FRAME MOUNT, CASEIH PATRIOT 90/100'
5	1	116-0159-837	WELDMENT, VSN MOUNT
6	1	107-0172-642	SHIELD, DEBRIS, VSN
7	1	016-0171-649	SHEET, WARRANTY/HELP (016-2022-003)
8	1	053-0159-074	ENVELOPE, PLASTIC
9	8	311-4055-180N	BOLT, M8-1.25 X 25MM, CLASS V COATING
10	4	313-6001-013N	WASHER, LOCK, M8, CLASS V COATING
11	12	313-6000-013N	WASHER, M8, CLASS V COATING
12	4	312-6001-027N	NUT, NYLOC, M8-1.25, CLASS V COATING
13	1	053-0159-074	ENVELOPE, PLASTIC
14	3	311-4051-224N	BOLT, M10-1.50 X 30, 10.9, CLASS V COATING
15	6	313-6000-016N	WASHER, M10, CLASS V COATING
16	3	312-6001-043N	NUT, M10-1.50, CLASS 10, CLASS V COATING
17	4	313-5001-007	GASKET, VITON, .29 I.D. x .688 O.D. x .062 THK
18	2	041-0159-940	REFLECTOR, PRESSURE SENSITIVE, YELLOW, 50X230

FIGURE 2. VSN Installation Kit for Case IH Patriot 4xxx Series (120' Boom)

THIS KIT TO CONTAIN THE FOLLOWING ITEMS LISTED BELOW:

ITEM #	QTY	PART #	DESCRIPTION
1	1	053-0159-087	BOX, SHIPPING
2	1	115-2020-001	CABLE, VSN, CAB PATRIOT 4XXX MY 17-18
3	1	115-2020-002	CABLE, VSN, PATRIOT 4XXX MY 17-18
4	1	116-0159-834	WELDMENT, VSN, FRAME MOUNT, CASEIH PATRIOT 120'
5	1	116-0159-837	WELDMENT, VSN MOUNT
6	1	107-0172-642	SHIELD, DEBRIS, VSN
7	1	016-0171-649	SHEET, WARRANTY/HELP (016-2022-004)
8	1	053-0159-074	ENVELOPE, PLASTIC
9	8	311-4055-180N	BOLT, M8-1.25 X 25MM, CLASS V COATING
10	4	313-6001-013N	WASHER, LOCK, M8, CLASS V COATING
11	12	313-6000-013N	WASHER, M8, CLASS V COATING
12	4	312-6001-027N	NUT, NYLOC, M8-1.25, CLASS V COATING
13	1	053-0159-074	ENVELOPE, PLASTIC
14	4	311-4051-224N	BOLT, M10-1.50 X 30, 10.9, CLASS V COATING
15	8	313-6000-016N	WASHER, M10, CLASS V COATING
16	4	312-6001-043N	NUT, M10-1.50, CLASS 10, CLASS V COATING
17	4	313-5001-007	GASKET, VITON, .29 I.D. x .688 O.D. x .062 THK
18	2	041-0159-940	REFLECTOR, PRESSURE SENSITIVE, YELLOW, 50X230

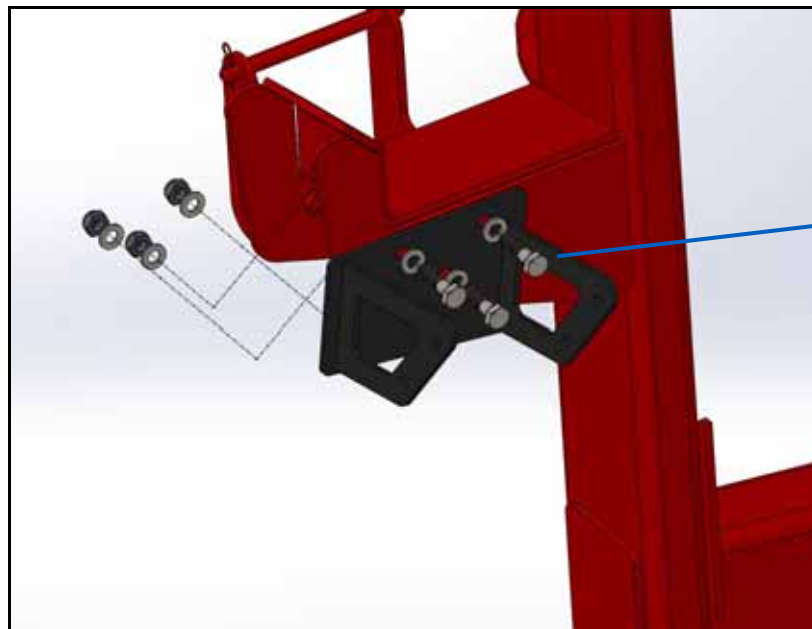
MOUNTING VSN



90'-100' BOOM CONFIGURATIONS

1. Locate the existing pre-drilled holes in the right boom cradle frame.

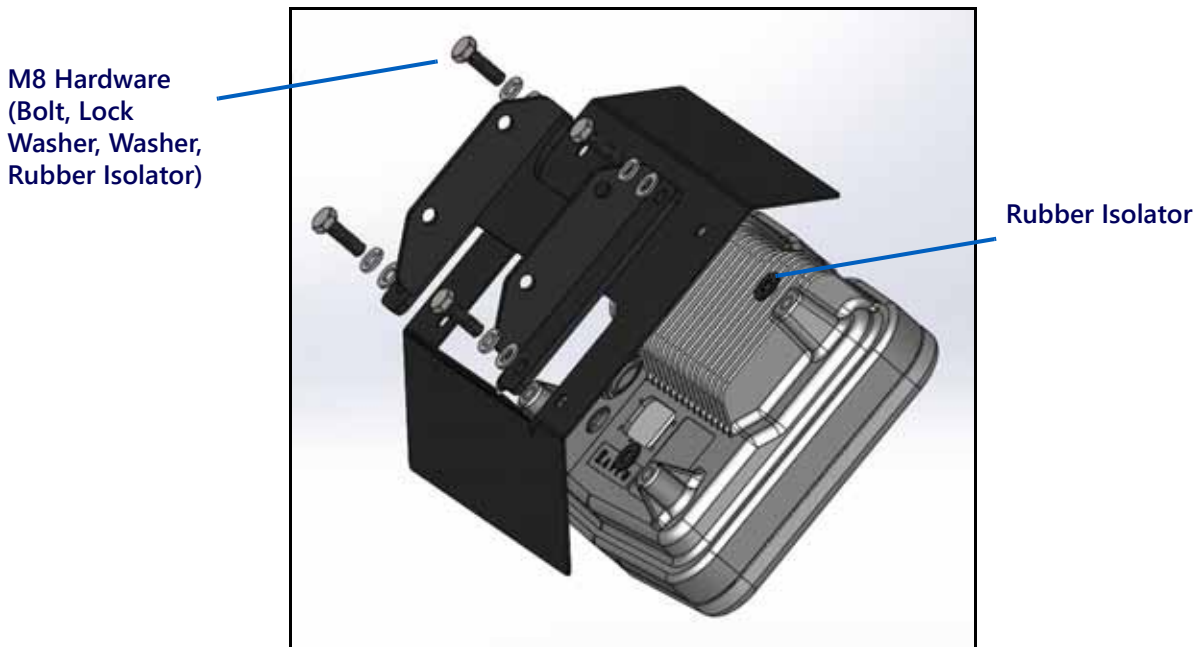
FIGURE 1. Right Boom Cradle



2. Using the provided M10 hardware, mount the VSN base bracket to the cradle framework.
3. Using the provided M8 hardware, mount the debris shield and brackets to the back of the VSN camera as shown in Figure 2 on page 10.

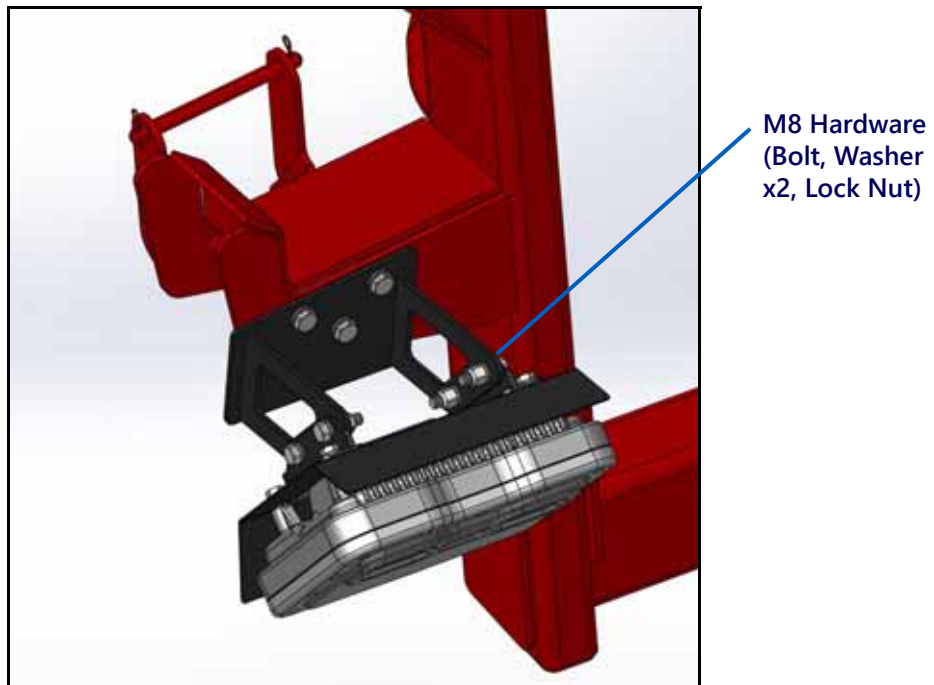
NOTE: The camera must be mounted with the lens at the top when mounted to the equipment.

FIGURE 2. VSN Camera and Mounting Bracket Assembly



4. Finally, use the remaining M8 hardware to secure the camera mounting bracket assembly to the base bracket on the machine frame.

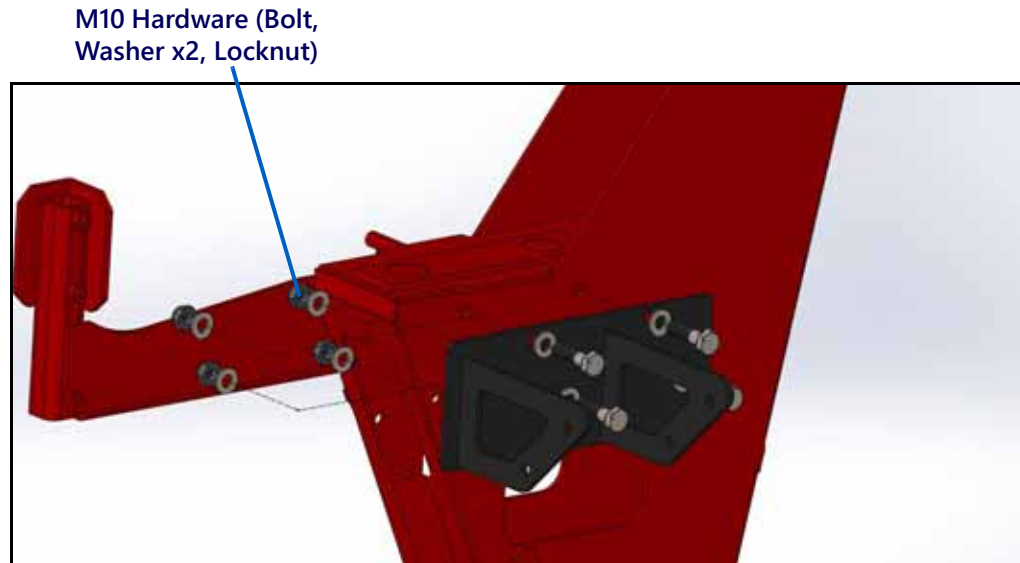
FIGURE 3. VSN Camera Mounted to Boom Cradle



120' BOOM CONFIGURATIONS

1. Locate the existing pre-drilled holes in the right boom cradle frame.

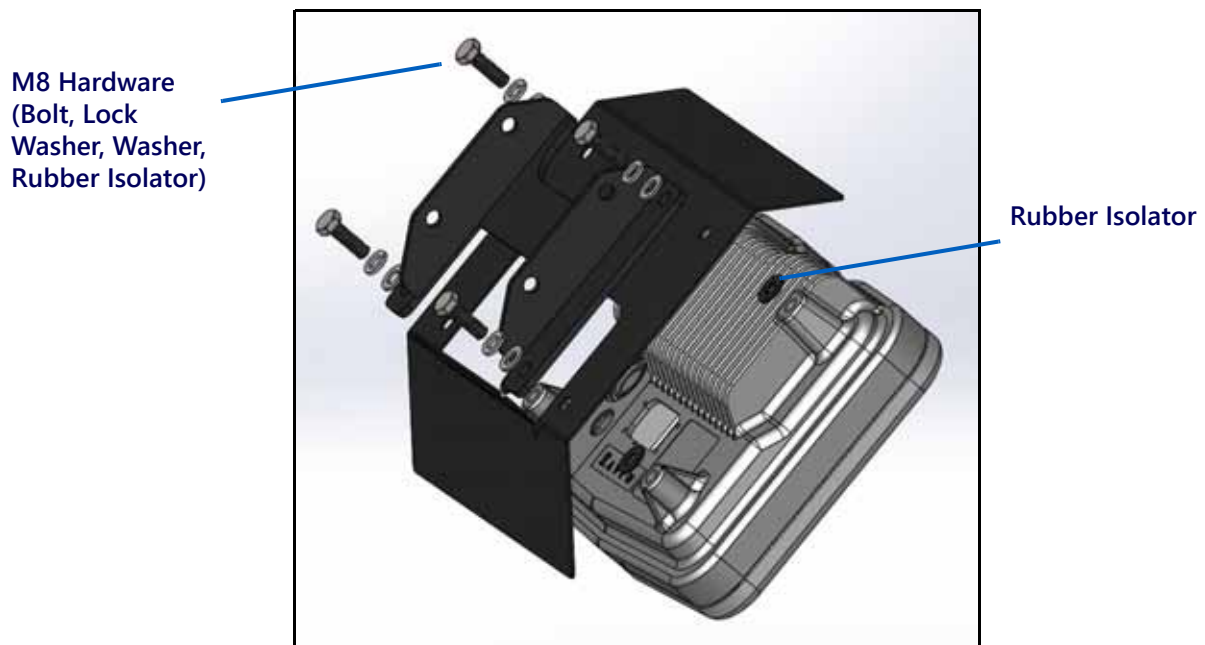
FIGURE 4. Right Boom Cradle



2. Using the provided M10 hardware, mount the VSN base bracket to the cradle framework.
3. Using the provided M8 hardware, mount the debris shield and brackets to the back of the VSN camera as shown in Figure 5 on page 11.

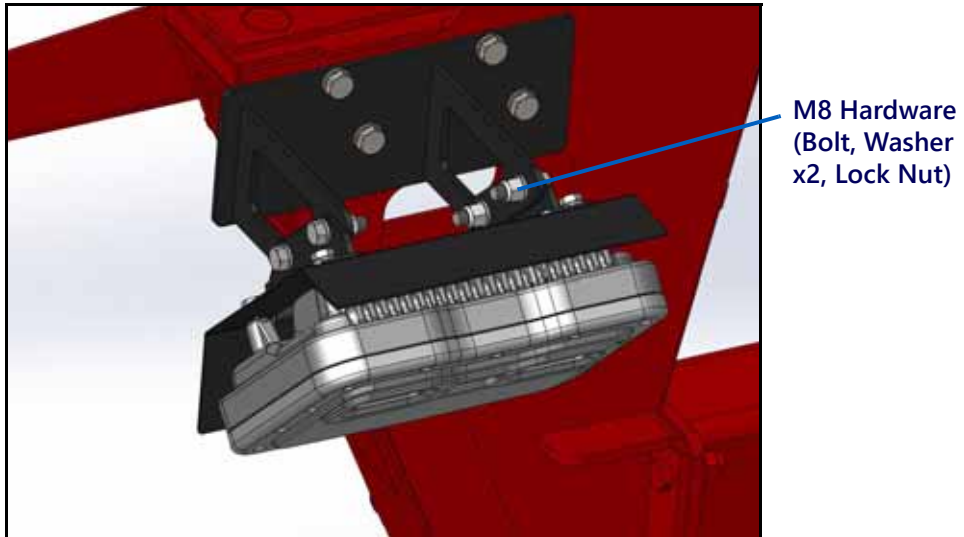
NOTE: The camera must be mounted with the lens at the top when mounted to the equipment.

FIGURE 5. VSN Camera and Mounting Bracket Assembly



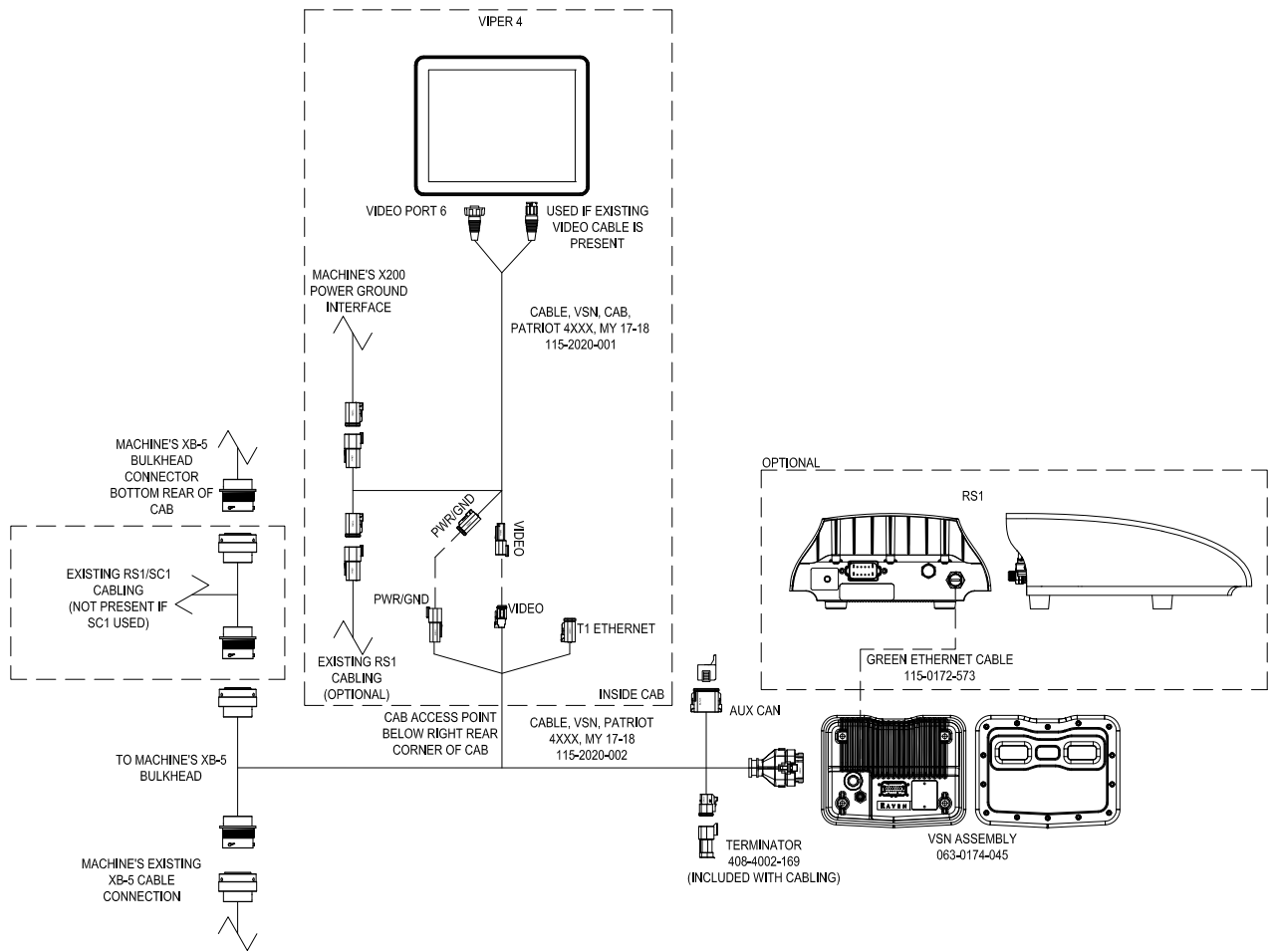
4. Finally, use the remaining M8 hardware to secure the camera mounting bracket assembly to the base bracket on the machine frame.

FIGURE 6. VSN Camera Mounted to Boom Cradle



CABLING AND CONNECTION

FIGURE 7. VSN Steering System Diagram for Case IH Patriot 4xxx

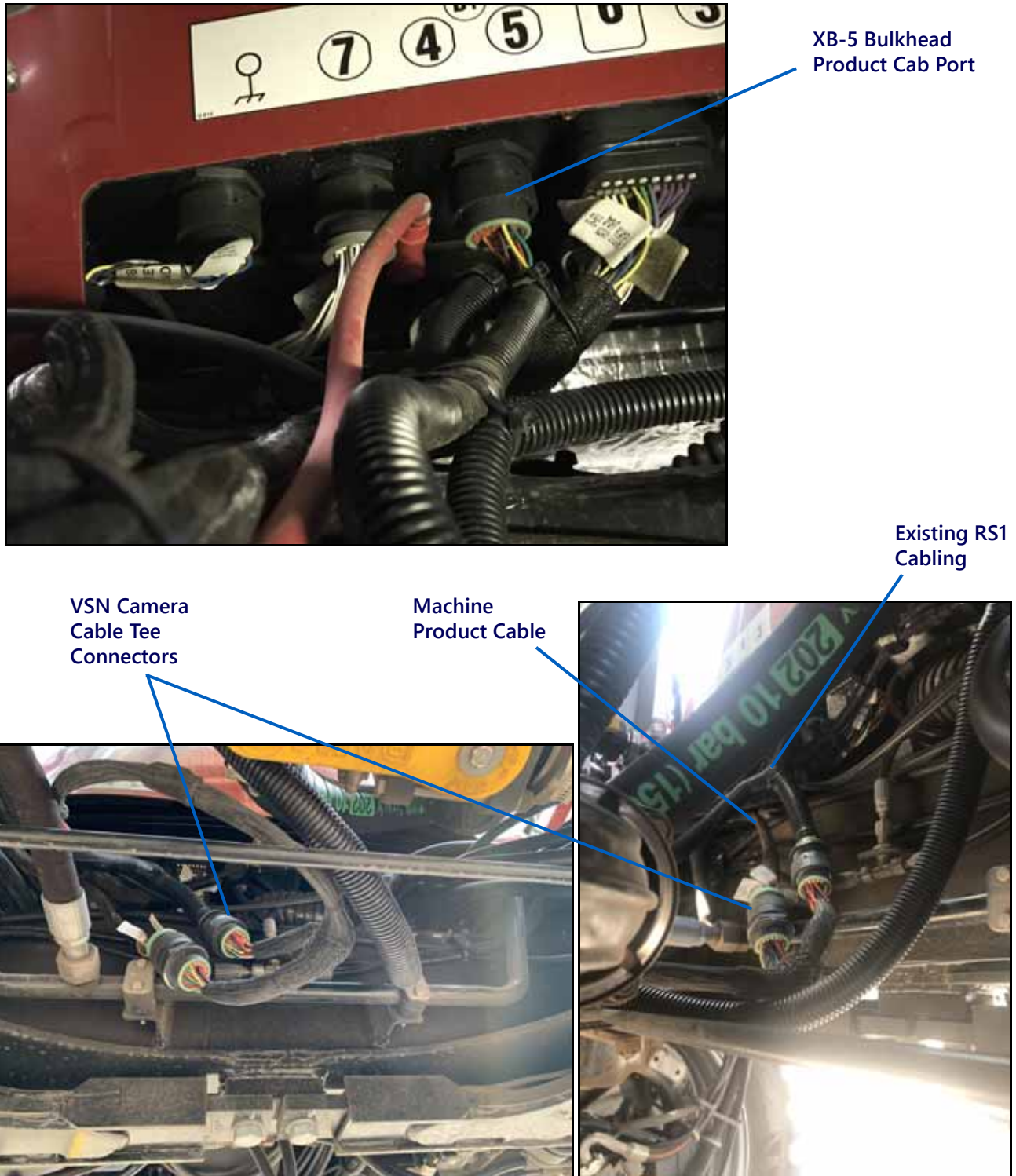


VSN CAMERA CABLE

1. Locate the round, 35-pin connector labeled XB-5 BULKHEAD PRODUCT CAB under the right, rear of the cab.

NOTE: The RS1™ cable (P/N 115-4010-031) may already be connected to the XB-5 bulkhead connector.

FIGURE 8. XB-5 Bulkhead Product Cab Connection



2. Tee in the mating 35-pin connectors on the VSN Camera Cable (P/N 115-2020-002) between the RS1 cable (if present) and existing machine cable.
3. Route the gray 23-pin connector along the frame member to the right, front boom cradle.
4. Connect 23-pin connector to back of VSN camera.

FIGURE 9. VSN Camera Connection



NOTE: Be sure the cable is routed to prevent the cable from being pinched by the boom or other moving components of the equipment.

5. Locate the foam cab access point located under the right, rear of the cab.

FIGURE 10. Cab Access Point



6. Route the three connectors labeled PWR/GND, Video, and T1 Ethernet inside the cab through this access point.

VSN CAB CABLE

FIGURE 11. Cab Access Point from Below Cab



1. Inside the cab, remove the black storage tray to access and locate the 3 connectors from the VSN Camera Cable (P/N 115-2020-002) routed into the cab.

FIGURE 12. Cab Access Point from Inside Cab



2. Connect the mating PWR/GND and VIDEO connectors of the VSN Cab Cable (P/N 115-2020-001) to the camera cable connectors.
3. Remove the vent cover on the back wall of the cab, behind the operator seat to access the X-200 power interface connection.

FIGURE 13. Remove Vent Cover to Access Connectors



4. Route the two gray 6-pin connectors behind the trim into the compartment located behind the seat accessed through the vent.
5. Tee the VSN cab cable into the machine connection labeled X-200 POWER GND PORT INTERFACE.

FIGURE 14. Power and Ground Connections



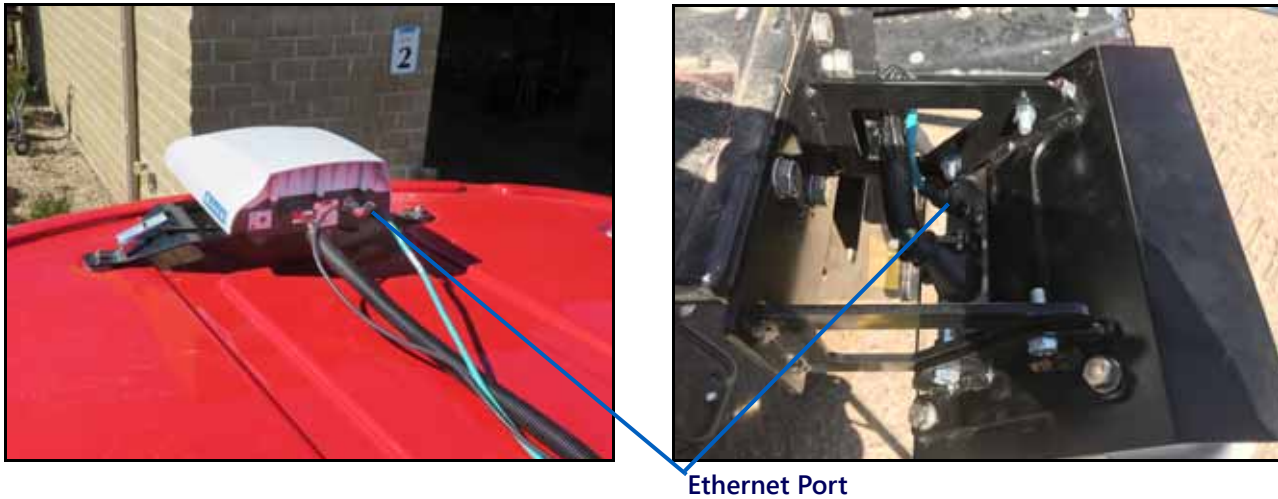
NOTE: The RS1™ cable (P/N 115-4010-031) may already be connected to the X-200 plugs.

6. Route TO V4 VIDEO and V4 VIDEO connectors to the back of the Viper® 4.
7. Secure the connector labeled TO V4 VIDEO to port 6 on the back of the Viper 4. If an existing video system is connected to port 6, connect the existing video system to the connector labeled V4 VIDEO.

OPTIONAL ETHERNET CABLE

1. Connect the blue/green Ethernet cable to the back of the VSN camera.
2. Route the Ethernet cable along the frame and up to the RS1.
3. Connect remaining end to the RS1.

FIGURE 15. RS1 Connection



REFLECTIVE DECALS

When mounted, the VSN assembly may cover factory installed reflective decals.

The included decals (P/N 041-0159-940) must be installed on the boom cradle or machine frame to restore and maintain visibility after the VSN assembly is mounted. Trim the decals as needed to fit the location to which each will be affixed.

I

Important Safety Information

- Electrical Safety
 - General 2
 - Instructions for Wire Routing 2

Introduction 5

- Kit Contents 6
- Preparing for Installation 5
 - Point of Reference 5
 - Recommendations 5
- Updates 6

K

Kit Contents 6

LIMITED WARRANTY

WHAT DOES THIS WARRANTY COVER?

This warranty covers all defects in workmanship or materials in your Raven Applied Technology Division product under normal use, maintenance, and service when used for intended purpose.

HOW LONG IS THE COVERAGE PERIOD?

Raven Applied Technology products are covered by this warranty for 12 months from the date of retail sale. In no case will the Limited Warranty period exceed 24 months from the date the product was issued by Raven Industries Applied Technology Division. This warranty coverage applies only to the original owner and is non-transferable.

HOW CAN I GET SERVICE?

Bring the defective part and proof of purchase to your Raven dealer. If the dealer approves the warranty claim, the dealer will process the claim and send it to Raven Industries for final approval. The freight cost to Raven Industries will be the customer's responsibility. The Return Materials Authorization (RMA) number must appear on the box and all documentation (including proof of purchase) must be included inside the box to be sent to Raven Industries.

WHAT WILL RAVEN INDUSTRIES DO?

Upon confirmation of the warranty claim, Raven Industries will (at our discretion) repair or replace the defective product and pay for the standard return freight, regardless of the inbound shipping method. Expedited freight is available at the customer's expense.

WHAT IS NOT COVERED BY THIS WARRANTY?

Raven Industries will not assume any expense or liability for repairs made outside our facilities without written consent. Raven Industries is not responsible for damage to any associated equipment or products and will not be liable for loss of profit, labor, or other damages. The obligation of this warranty is in lieu of all other warranties, expressed or implied, and no person or organization is authorized to assume any liability for Raven Industries.

Damages caused by normal wear and tear, misuse, abuse, neglect, accident, or improper installation and maintenance are not covered by this warranty.

EXTENDED WARRANTY

WHAT DOES THIS WARRANTY COVER?

This warranty covers all defects in workmanship or materials in your Raven Applied Technology Division product under normal use, maintenance, and service when used for intended purpose.

DO I NEED TO REGISTER MY PRODUCT TO QUALIFY FOR THE EXTENDED WARRANTY?

Yes. Products/systems must be registered within 30 days of retail sale to receive coverage under the Extended Warranty. If the component does not have a serial tag, the kit it came in must be registered instead.

WHERE CAN I REGISTER MY PRODUCT FOR THE EXTENDED WARRANTY?

To register, go online to www.ravenhelp.com and select Product Registration.

HOW LONG IS THE EXTENDED WARRANTY COVERAGE PERIOD?

Raven Applied Technology products that have been registered online are covered for an additional 12 months beyond the Limited Warranty for a total coverage period of 24 months from the date of retail sale. In no case will the Extended Warranty period exceed 36 months from the date the product was issued by Raven Industries Applied Technology division. This Extended Warranty coverage applies only to the original owner and is non-transferable.

HOW CAN I GET SERVICE?

Bring the defective part and proof of purchase to your Raven dealer. If the dealer approves the warranty claim, the dealer will process the claim and send it to Raven Industries for final approval. The freight cost to Raven Industries will be the customer's responsibility. The Return Materials Authorization (RMA) number must appear on the box and all documentation (including proof of purchase) must be included inside the box to be sent to Raven Industries. In addition, the words "Extended Warranty" must appear on the box and all documentation if the failure is between 12 and 24 months from the retail sale.

WHAT WILL RAVEN INDUSTRIES DO?

Upon confirmation of the product's registration for the Extended Warranty and the claim itself, Raven Industries will (at our discretion) repair or replace the defective product and pay for the standard return freight, regardless of the inbound shipping method. Expedited freight is available at the customer's expense.

WHAT IS NOT COVERED BY THE EXTENDED WARRANTY?

Raven Industries will not assume any expense or liability for repairs made outside our facilities without written consent. Raven Industries is not responsible for damage to any associated equipment or products and will not be liable for loss of profit, labor, or other damages. Cables, hoses, software enhancements, and remanufactured items are not covered by this Extended Warranty. The obligation of this warranty is in lieu of all other warranties, expressed or implied, and no person or organization is authorized to assume any liability for Raven Industries.

Damages caused by normal wear and tear, misuse, abuse, neglect, accident, or improper installation and maintenance are not covered by this warranty.