

# VSN Installation Manual for Case Patriot 3xxx (90', 100', and 120' Booms)

*016-2022-001 Rev. A*

*10/2019*

*E33203*



## DISCLAIMER

While every effort has been made to ensure the accuracy of this document, Raven Industries assumes no responsibility for omissions and errors. Nor is any liability assumed for damages resulting from the use of information contained herein.

Raven Industries shall not be responsible or liable for incidental or consequential damages or a loss of anticipated benefits or profits, work stoppage or loss, or impairment of data arising out of the use, or inability to use, this system or any of its components. Raven Industries shall not be held responsible for any modifications or repairs made outside our facilities, nor damages resulting from inadequate maintenance of this system.

As with all wireless and satellite signals, several factors may affect the availability and accuracy of wireless and satellite navigation and correction services (e.g. GPS, GNSS, SBAS, etc.). Therefore, Raven Industries cannot guarantee the accuracy, integrity, continuity, or availability of these services and cannot guarantee the ability to use Raven systems, or products used as components of systems, which rely upon the reception of these signals or availability of these services. Raven Industries accepts no responsibility for the use of any of these signals or services for other than the stated purpose.

---

<b>Chapter 1</b>	<b>Important Safety Information.....</b>	<b>1</b>
General .....	.....	2
Instructions for Wire Routing .....	.....	2
<b>Chapter 2</b>	<b>Introduction.....</b>	<b>5</b>
Preparing for Installation .....	.....	5
Prerequisites .....	.....	5
Recommendations .....	.....	5
Point of Reference .....	.....	5
Updates .....	.....	6
Kit Contents .....	.....	6
<b>Chapter 3</b>	<b>Installation .....</b>	<b>9</b>
Mounting VSN .....	.....	9
90'-100' Boom Configurations .....	.....	9
120' Boom Configurations .....	.....	12
Cabling and Connection .....	.....	14
VSN Camera Cable .....	.....	15
Optional Ethernet Cable .....	.....	20
Reflective Decals .....	.....	20



---

# CHAPTER

# 1

# IMPORTANT SAFETY INFORMATION

---

## NOTICE

Read this manual and the operation and safety instructions included with your implement and/or controller carefully before installing the VSN system.

- Follow all safety information presented within this manual.
- If you require assistance with any portion of the installation or service of your Raven equipment, contact your local Raven dealer for support.
- Follow all safety labels affixed to the VSN system components. Be sure to keep safety labels in good condition and replace any missing or damaged labels. To obtain replacements for missing or damaged safety labels, contact your local Raven dealer.

When operating the machine after installing VSN, observe the following safety measures:

- Be alert and aware of surroundings.
- Do not operate VSN or any agricultural equipment while under the influence of alcohol or an illegal substance.
- Remain in the operator's position or a safe working distance away from the booms at all times when VSN is engaged.
- Disable VSN when exiting from the operator's seat and machine.
- Do not drive the machine with VSN enabled on any public road.
- Determine and remain a safe working distance from other individuals. The operator is responsible for disabling VSN when the safe working distance has diminished.
- Ensure VSN is disabled prior to starting any maintenance work on VSN or the machine.

## WARNING

- The machine must remain stationary and switched off, with the booms unfolded and supported, during installation or maintenance.

## CAUTION

---

### GENERAL

- Always verify that the power leads are connected to the correct polarity as marked. Reversing the power leads could cause severe damage to the equipment.
- Ensure that the power cable is the last cable to be connected.
- A minimum of 12 VDC is required for system operation with a maximum of 15 VDC.

---

### INSTRUCTIONS FOR WIRE ROUTING

The word “harness” is used to mean all electrical leads and cables, bundled and unbundled. When installing harness, secure it at least every 30 cm (12in) to the frame. Follow existing harness as much as possible and use these guidelines:

Harness should not contact or be attached to:

- Lines and hoses with high vibration forces or pressure spikes
- Lines and hoses carrying hot fluids beyond harness component specifications

Avoid contact with any sharp edge or abrading surfaces such as, but not limited to:

- Sheared or flame cut edges
- Edges of machined surfaces
- Fastener threads or cap screw heads
- Ends of adjustable hose clamps
- Wire exiting conduit without protection, either ends or side of conduit
- Hose and tube fittings

Routing should not allow harnesses to:

- Hang below the unit
- Have the potential to become damaged due to exposure to the exterior environment. (i.e. tree limbs, debris, attachments)
- Be placed in areas of or in contact with machine components which develop temperatures higher than the temperature rating of harness components
- Wiring should be protected or shielded if it needs to route near hot temperatures beyond harness component specifications

Harnessing should not have sharp bends

Allow sufficient clearance from machine component operational zones such as:

- Drive shafts, universal joints and hitches (i.e. 3-point hitch)
- Pulleys, gears, sprockets
- Deflection and backlash of belts and chains
- Adjustment zones of adjustable brackets

- Changes of position in RS1 HD and suspension systems
- Moving linkages, cylinders, articulation joints, attachments
- Ground engaging components

For harness sections that move during machine operation:

- Allow sufficient length for free movement without interference to prevent: pulling, pinching, catching or rubbing, especially in articulation and pivot points
- Clamp harnesses securely to force controlled movement to occur in the desired harness section
- Avoid sharp twisting or flexing of harnesses in short distances
- Connectors and splices should not be located in harness sections that move

Protect harnesses from:

- Foreign objects such as rocks that may fall or be thrown by the unit
- Buildup of dirt, mud, snow, ice, submersion in water and oil
- Tree limbs, brush and debris
- Damage where service personnel or operators might step or use as a grab bar
- Damage when passing through metal structures

**IMPORTANT:**

- Avoid directly spraying electrical components and connections with high pressure water. High pressure water sprays can penetrate seals and cause electrical components to corrode or otherwise become damaged. When performing maintenance:
- Inspect all electrical components and connections for damage or corrosion. Repair or replace components, connections, or cable as necessary.
- Ensure connections are clean, dry, and not damaged. Repair or replace components, connections, or cable as necessary.
- Clean components or connections using low pressure water, pressurized air, or an aerosol electrical component cleaning agent.
- Remove visible surface water from components, connections, or seals using pressurized air or an aerosol electrical component cleaning agent. allow components to dry completely before reconnecting cables.





The following instructions are designed to assist with the proper installation of the VSN system. Refer to the VSN Calibration & Operation Manual (P/N 016-2020-001) for assistance with calibrating and using the VSN system.

---

### PREPARING FOR INSTALLATION

Before installing the VSN system, park the machine where the ground is level, clean, and dry. Turn off the machine and leave it turned off for the duration of the installation process.

During the installation process, follow good safety practices. Be sure to carefully read the instructions in this manual to complete the installation process.

### PREREQUISITES

The following components must be installed with the VSN system.

- RS1™
- Viper® 4 with ROS version 3.4 or newer

Follow the installation instructions provided with these components before installing VSN.

### RECOMMENDATIONS

Raven Industries recommends the following best practices when installing or operating the VSN system for the first time or at the start of the season:

- Install the VSN unit in the recommended location.
- Use part numbers to help identify parts.
- Do not remove the plastic wrap from a part until it is necessary for installation.

### POINT OF REFERENCE

The instructions in this manual assume that you are standing behind the machine, looking toward the cab.

## UPDATES

Software and manual updates are available on the Raven Applied Technology website:

<http://www.ravenprecision.com>

At Raven Industries, we strive to make your experience with our products as rewarding as possible. One way to improve this experience is to provide us with feedback on this manual.

Your feedback will help shape the future of our product documentation and the overall service we provide. We appreciate the opportunity to see ourselves as our customers see us and are eager to gather ideas on how we have been helping or how we can do better.

To serve you best, please send an email with the following information to

[techwriting@ravenind.com](mailto:techwriting@ravenind.com)

- VSN Installation Manual for Case Patriot 3xxx (90', 100', and 120' Booms)
- 016-2022-001 Rev. A
- Any comments or feedback (include chapter or page numbers if applicable).
- Let us know how long have you been using this or other Raven products.

We will not share your email or any information you provide with anyone else. Your feedback is valued and extremely important to us.

Thank you for your time.

---

## KIT CONTENTS

This section contains a list of the components that are included in the VSN kit. Before beginning the system installation, compare the items in the kit with the components on this list. If you have questions about the kit, contact your Raven dealer.

FIGURE 1. VSN Installation Kit for Case IH Patriot 3xxx (90'/100' Boom, MY 2018 and Newer)

THIS KIT TO CONTAIN THE FOLLOWING ITEMS LISTED BELOW:

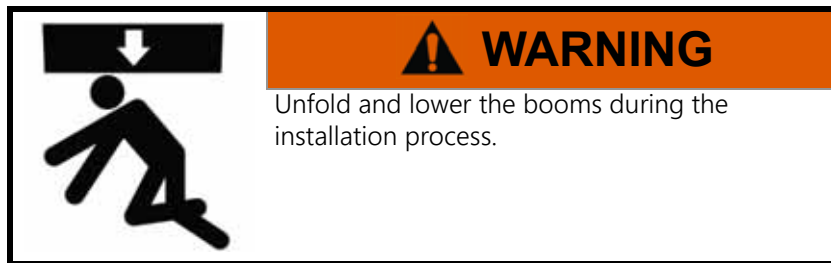
#	QTY	PART #	DESCRIPTION
	1	053-0159-087	BOX, SHIPPING
	1	115-2020-009	CABLE, VSN, PATRIOT 3XXX/TRIDENT 5550, MY17-18
	1	116-0159-839	WELDMENT, VSN, FRAME MOUNT, CASEIH PATRIOT 3XXX 90'
	1	116-0159-837	WELDMENT, VSN MOUNT
	1	107-0172-642	SHIELD, DEBRIS, VSN
	1	107-0172-655	BRACKET, LIGHT RELOCATION, CNH
	1	016-0171-649	SHEET, WARRANTY/HELP (016-2022-001)
	1	053-0159-074	ENVELOPE, PLASTIC
	8	311-4055-180N	BOLT, M8-1.25 X 25MM, CLASS V COATING
	4	313-6001-013N	WASHER, LOCK, M8, CLASS V COATING
	12	313-6000-013N	WASHER, M8, CLASS V COATING
	4	312-6001-027N	NUT, NYLOC, M8-1.25, CLASS V COATING
	1	053-0159-074	ENVELOPE, PLASTIC
	4	311-4051-224N	BOLT, M10-1.50 X 30, 10.9, CLASS V COATING
	8	313-6000-016N	WASHER, M10, CLASS V COATING
	4	312-6001-043N	NUT, NYLOC, M10-1.50, CLASS 10, CLASS V COATING
	4	313-5001-007	GASKET, VITON, .29 I.D. x .688 O.D. x .062 THK
	2	041-0159-940	REFLECTOR, PRESSURE SENSITIVE, YELLOW, 50X230

FIGURE 2. VSN Installation Kit for Case IH Patriot 3xxx (120' Boom MY 2018 and Newer)

THIS KIT TO CONTAIN THE FOLLOWING ITEMS LISTED BELOW:

#	QTY	PART #	DESCRIPTION	OE
	1	053-0159-087	BOX, SHIPPING	
	1	115-2020-009	CABLE, VSN, PATRIOT 3XXX/TRIDENT 5550, MY17-18	
	1	116-0159-834	WELDMENT, VSN, FRAME MOUNT, CASEIH PATRIOT 120'	
	1	116-0159-837	WELDMENT, VSN MOUNT	
	1	107-0172-642	SHIELD, DEBRIS, VSN	
	1	107-0172-655	BRACKET, LIGHT RELOCATION, CNH	
	1	016-0171-649	SHEET, WARRANTY/HELP (016-2022-002)	
	1	053-0159-074	ENVELOPE, PLASTIC	
	8	311-4055-180N	BOLT, M8-1.25 X 25MM, CLASS V COATING	
	4	313-6001-013N	WASHER, LOCK, M8, CLASS V COATING	
	12	313-6000-013N	WASHER, M8, CLASS V COATING	
	4	312-6001-027N	NUT, NYLOC, M8-1.25, CLASS V COATING	
	1	053-0159-074	ENVELOPE, PLASTIC	
	4	311- 4051-224N	BOLT, M10-1.50 X 30, 10.9, CLASS V COATING	
	8	313-6000-016N	WASHER, M10, CLASS V COATING	
	4	312-6001-043N	NUT, NYLOC, M10-1.50, CLASS 10, CLASS V COATING	
	4	313-5001-007	GASKET, VITON, .29 I.D. x .688 O.D. x .062 THK	
	2	041-0159-940	REFLECTOR, PRESSURE SENSITIVE, YELLOW, 50X230	

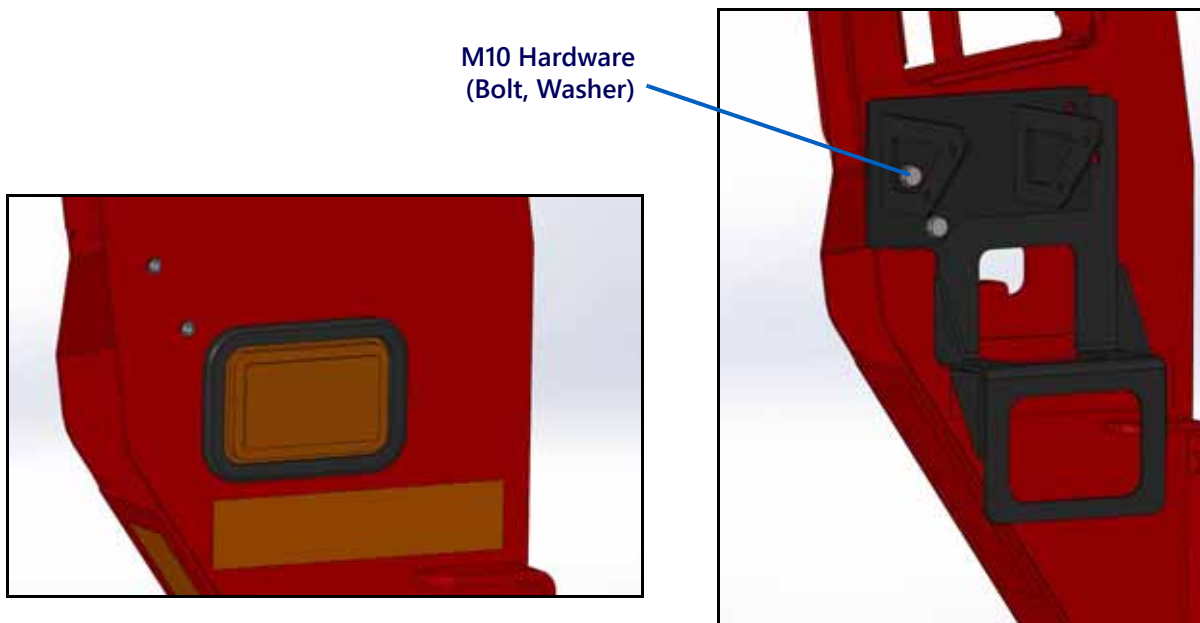
## MOUNTING VSN



## 90'-100' BOOM CONFIGURATIONS

1. Locate the turn signal on the right boom cradle. Disconnect the electrical connector and remove the turn signal light. Set aside to be reconnected later.

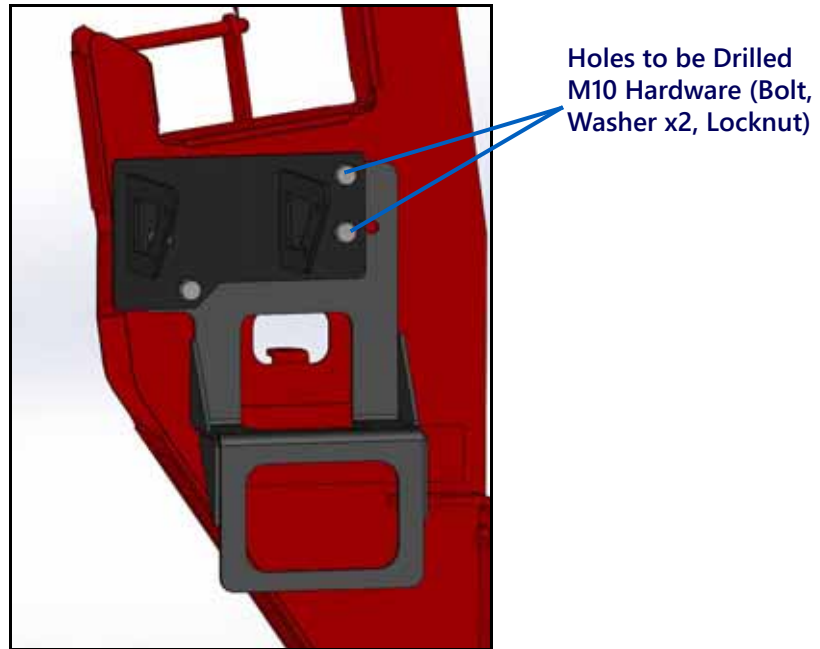
FIGURE 1. Turn Signal Located on Right Boom Cradle



2. Using the provided M10 hardware, mount the VSN base bracket and turn signal relocation bracket to the cradle framework.
3. With the VSN base bracket and turn signal relocation bracket installed, locate the remaining two holes to be drilled. Drill the holes out and use the provided M10 hardware to secure.

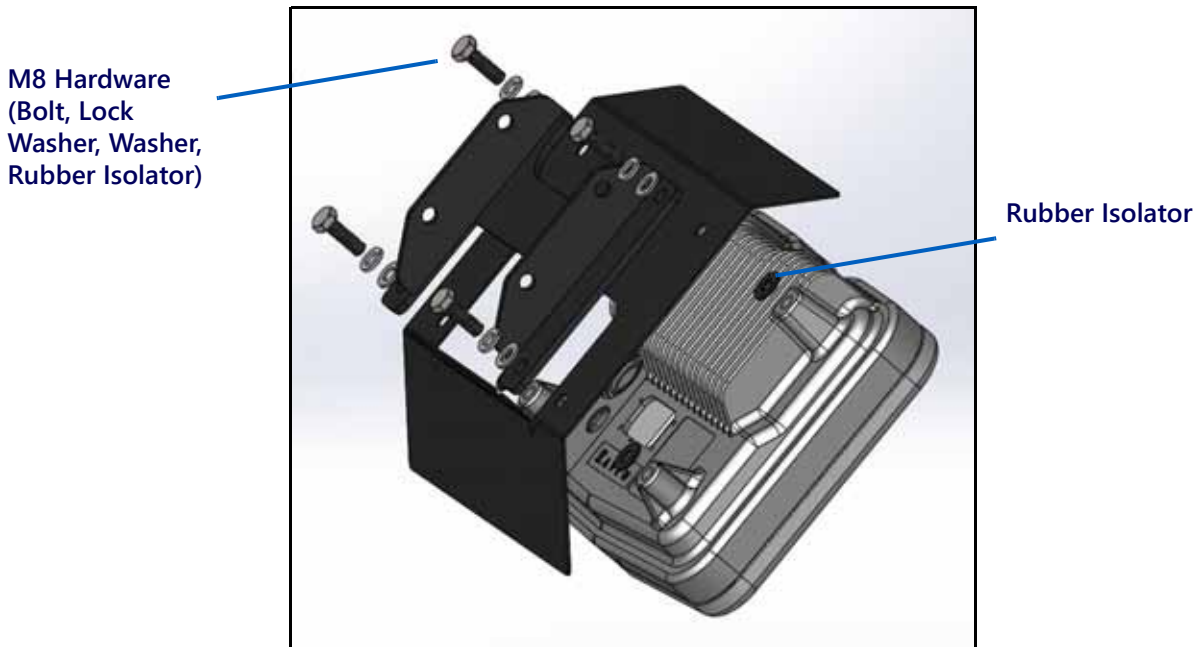
**NOTE:** Ensure the bracket is mounted square before drilling the remaining holes.

FIGURE 2. Holes Drilled in Boom Cradle



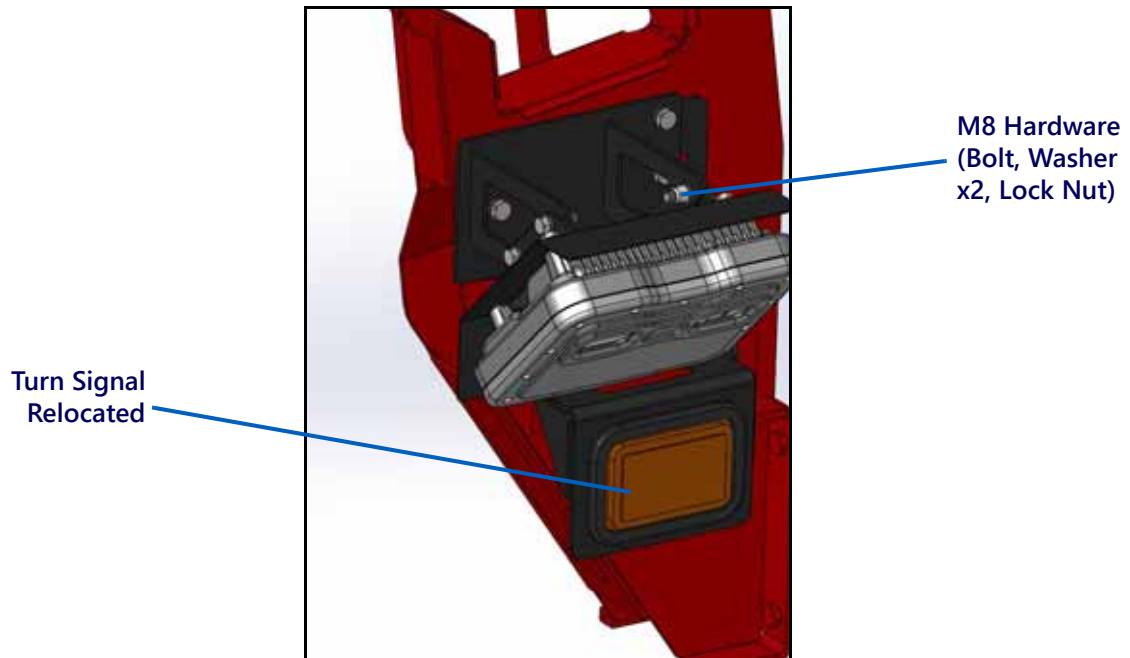
**NOTE:** The camera must be mounted with the lens at the top when mounted to the equipment.

FIGURE 3. VSN Camera and Mounting Bracket Assembly



4. Finally, use the remaining M8 hardware to secure the camera mounting bracket assembly to the base bracket on the machine frame.

FIGURE 4. VSN Camera Mounted to Boom Cradle



5. Reinstall the previously removed turn signal light in the relocation bracket. Reconnect the turn signal electrical wiring.

120' BOOM CONFIGURATIONS

1. Locate and remove turn signal light on right front boom cradle.

FIGURE 5. Right Boom Cradle Turn Signal

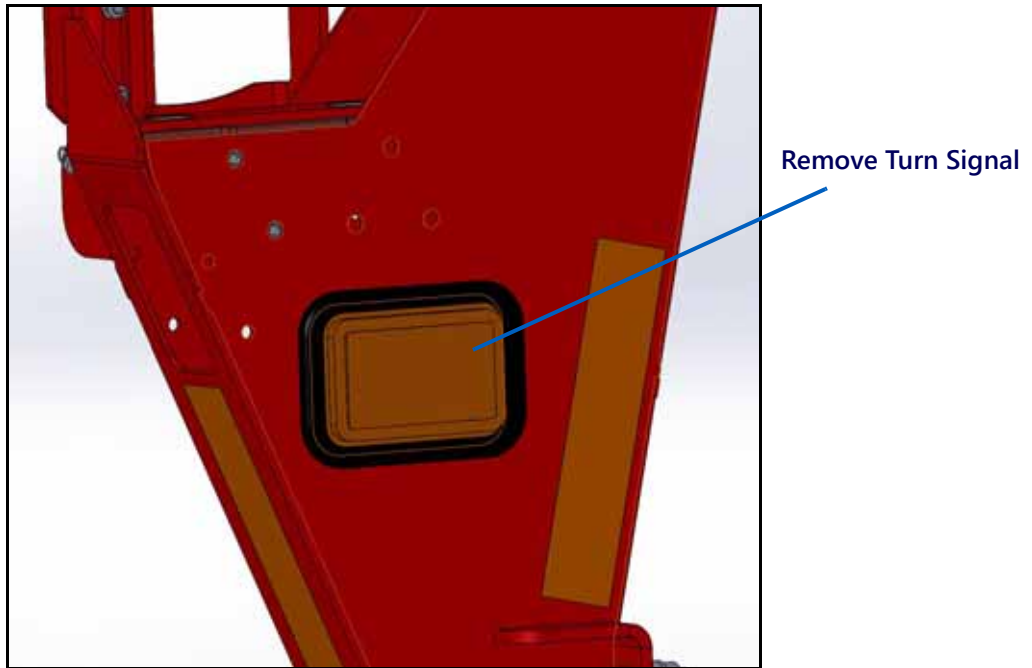
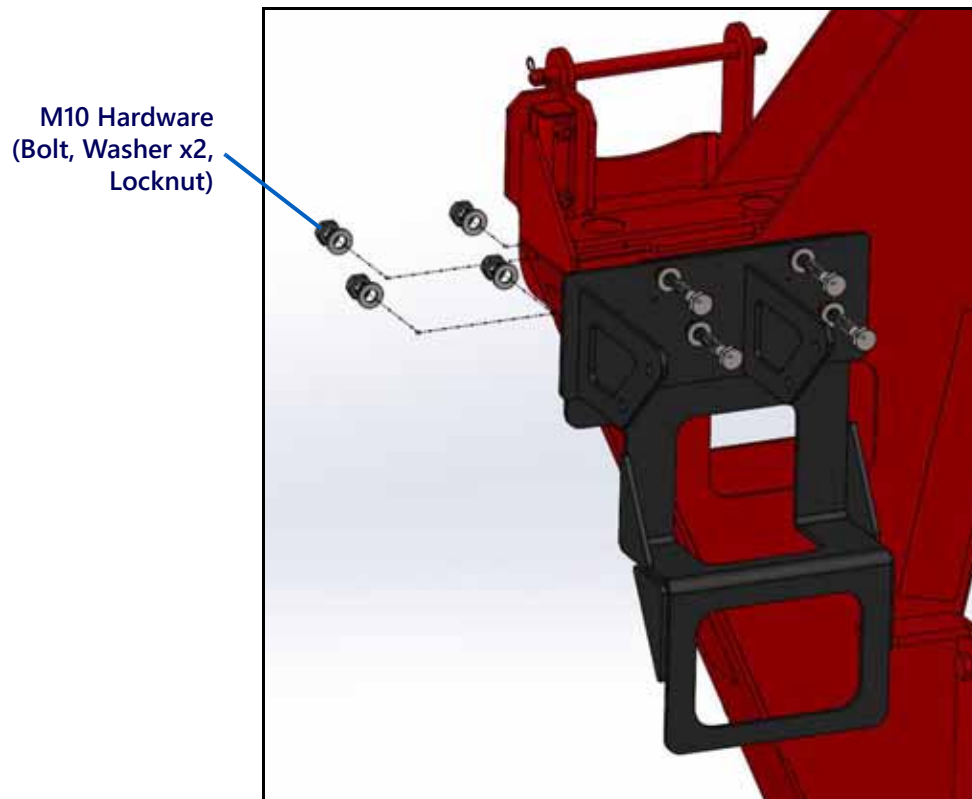


FIGURE 6. Right Boom Cradle

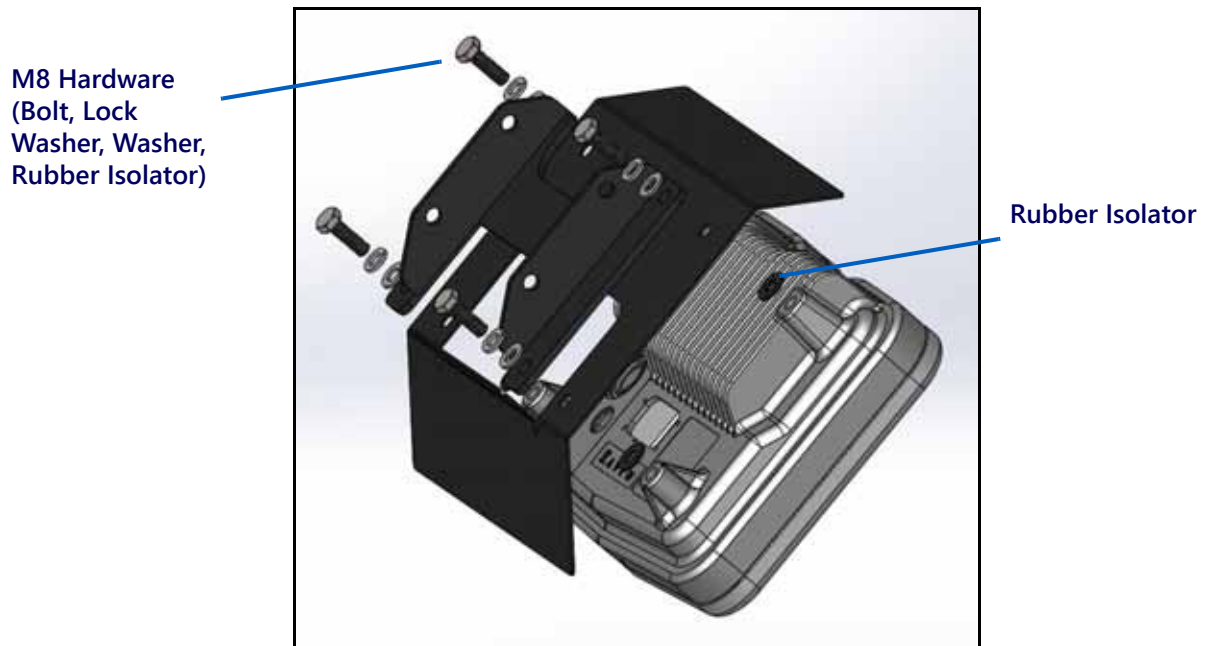




2. Using the provided M10 hardware, mount the VSN base bracket and turn signal relocation bracket to the cradle framework.
3. Using the provided M8 hardware, mount the debris shield and brackets to the back of the VSN camera as shown in Figure 7 on page 13.

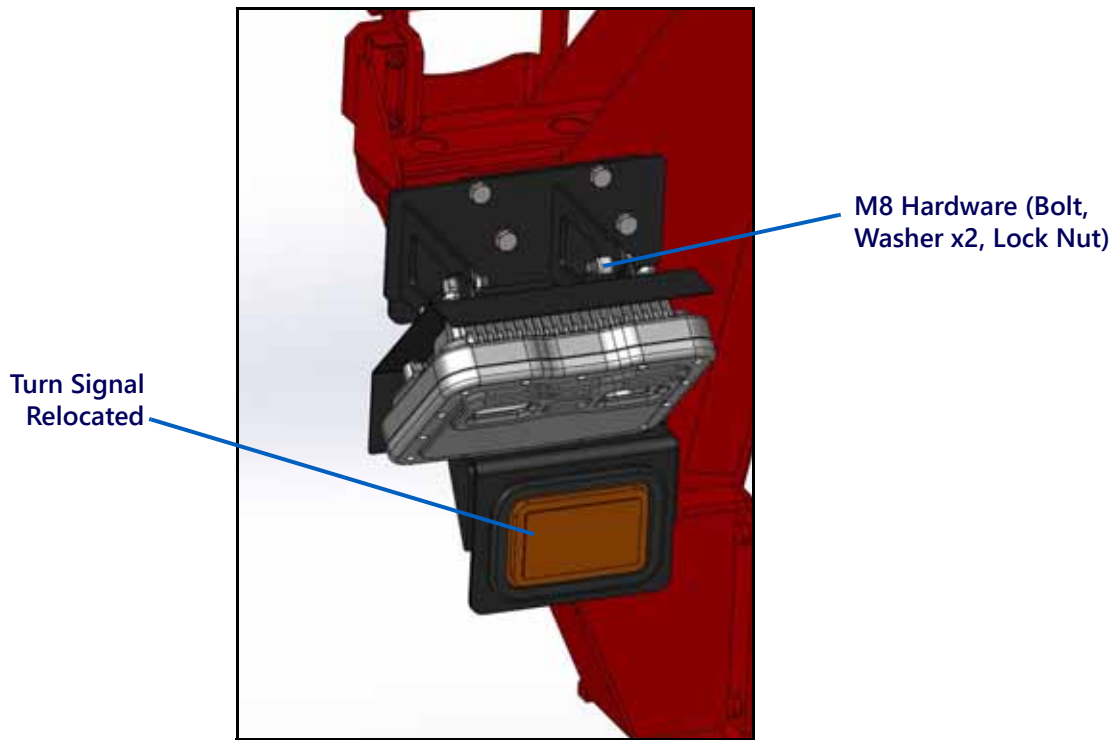
**NOTE:** The camera must be mounted with the lens at the top when mounted to the equipment.

**FIGURE 7. VSN Camera and Mounting Bracket Assembly**



4. Finally, use the remaining M8 hardware to secure the camera mounting bracket assembly to the base bracket on the machine frame.

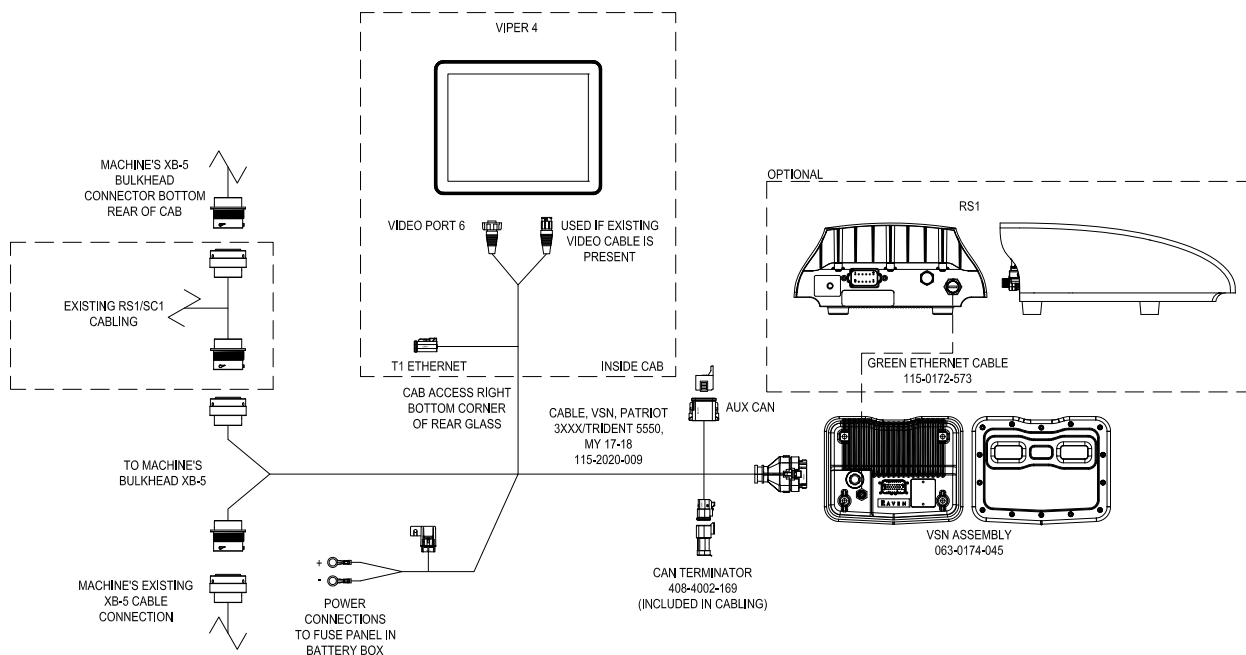
FIGURE 8. VSN Camera Mounted to Boom Cradle



5. Reinstall the turn signal into the turn signal relocation bracket and connect the electrical wiring.

## CABLING AND CONNECTION

FIGURE 9. VSN Steering System Diagram for Case IH Patriot 3xxx



## VSN CAMERA CABLE

1. Locate the round, 35-pin connector labeled XB-5 BULKHEAD PRODUCT CAB under the right, rear of the cab.

**NOTE:** The RS1™ cable (P/N 115-4010-081) may already be connected to the XB-5 bulkhead connector.

**FIGURE 10. XB-5 Bulkhead Product Cab Connection**



2. Tee in the mating 35-pin connectors on the VSN camera cable (P/N 115-2020-009) between the RS1 cable (if present) and existing machine cable.
3. Route the gray 23-pin connector along the frame member to the right, front boom cradle.
4. Connect 23-pin connector to back of VSN camera.

FIGURE 11. VSN Camera Connection

---



**NOTE:** Be sure the cable is routed to prevent the cable from being pinched by the boom or other moving components of the equipment.

5. Route the power connections along the right frame rail to the battery box in front of the right, rear tire. Route the connections through the rubber grommets to ensure the wires do not get pinched.

FIGURE 12. Power Connection Routing

---



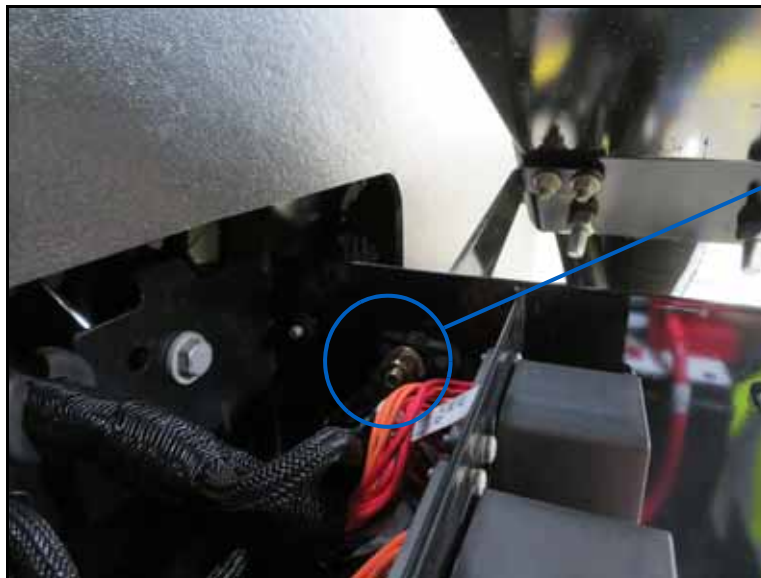
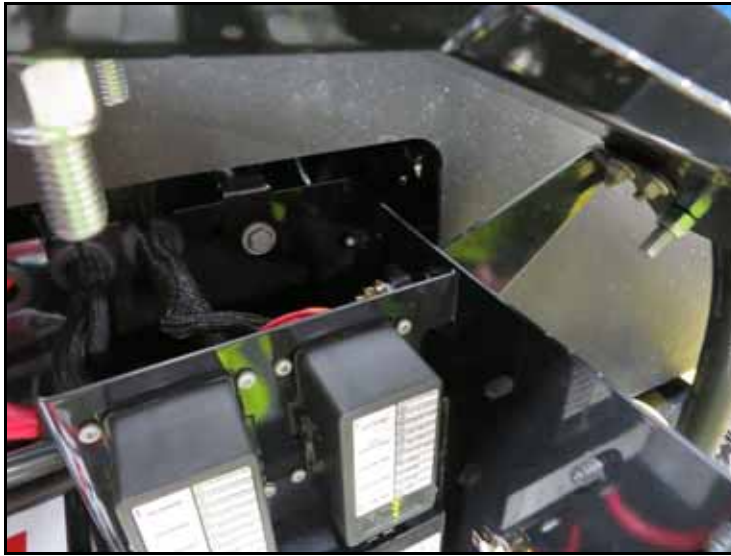
6. Locate the fuse panel within the battery box and identify one of the open positions in the fuse panel.
7. Install the power lead to the bottom rail and use the provided fuse to connect to the two rails. Use the provided M5 nuts to secure the fuse.

FIGURE 13. Fuse Panel Location



8. Locate the ground stud behind the fuse panel and install the ground ring.

FIGURE 14. Ground Stud Location



9. Route the two Video connectors into the cab through the rubber access point at the bottom, right corner of the rear window.



FIGURE 15. Cab Access Point



10. Connect the video connector to port 6 on the Viper 4. If Port 6 is populated by another cable, remove the cable from port 6 and tee in the video leads of camera cable (P/N 115-2020-009).

FIGURE 16. Viper 4 Connection

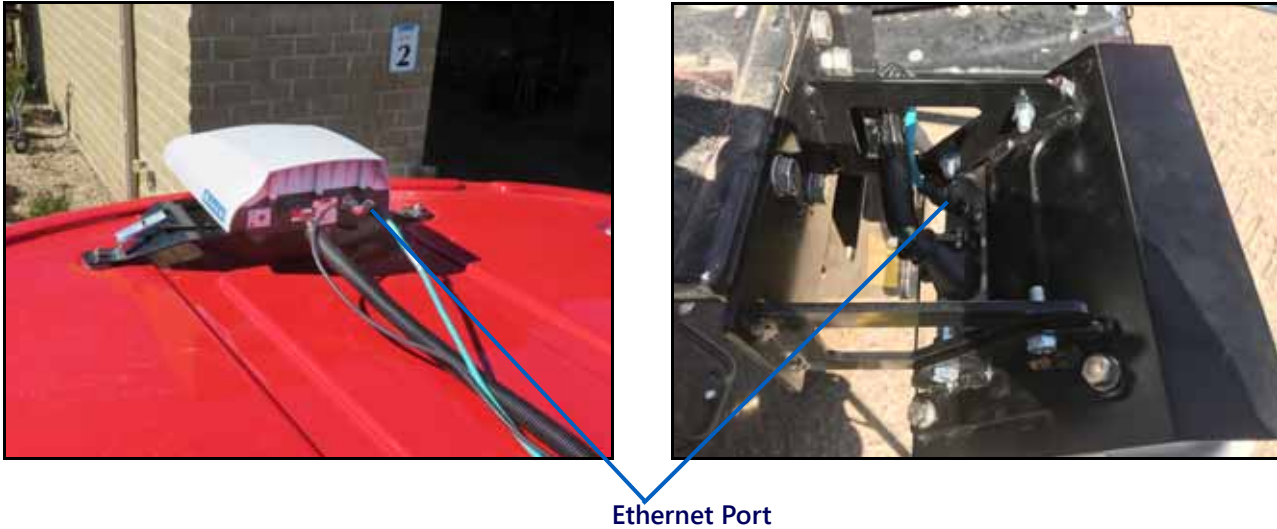


### OPTIONAL ETHERNET CABLE

1. Connect the blue/green Ethernet cable to the back of the VSN camera.
2. Route the Ethernet cable along the frame and up to the RS1.
3. Connect remaining end to the RS1.

**FIGURE 17. RS1 Connection**

---



### REFLECTIVE DECALS

When mounted, the VSN assembly may cover factory installed reflective decals.

The included decals (P/N 041-0159-940) must be installed on the boom cradle or machine frame to restore and maintain visibility after the VSN assembly is mounted. Trim the decals as needed to fit the location to which each will be affixed.



## I

### **Important Safety Information**

- Electrical Safety
  - General 2
  - Instructions for Wire Routing 2

### **Introduction 5**

- Kit Contents 6
- Preparing for Installation 5
  - Point of Reference 5
  - Recommendations 5
- Updates 6

## K

### **Kit Contents 6**



# LIMITED WARRANTY

## WHAT DOES THIS WARRANTY COVER?

This warranty covers all defects in workmanship or materials in your Raven Applied Technology Division product under normal use, maintenance, and service when used for intended purpose.

## HOW LONG IS THE COVERAGE PERIOD?

Raven Applied Technology products are covered by this warranty for 12 months from the date of retail sale. In no case will the Limited Warranty period exceed 24 months from the date the product was issued by Raven Industries Applied Technology Division. This warranty coverage applies only to the original owner and is non-transferable.

## HOW CAN I GET SERVICE?

Bring the defective part and proof of purchase to your Raven dealer. If the dealer approves the warranty claim, the dealer will process the claim and send it to Raven Industries for final approval. The freight cost to Raven Industries will be the customer's responsibility. The Return Materials Authorization (RMA) number must appear on the box and all documentation (including proof of purchase) must be included inside the box to be sent to Raven Industries.

## WHAT WILL RAVEN INDUSTRIES DO?

Upon confirmation of the warranty claim, Raven Industries will (at our discretion) repair or replace the defective product and pay for the standard return freight, regardless of the inbound shipping method. Expedited freight is available at the customer's expense.

## WHAT IS NOT COVERED BY THIS WARRANTY?

Raven Industries will not assume any expense or liability for repairs made outside our facilities without written consent. Raven Industries is not responsible for damage to any associated equipment or products and will not be liable for loss of profit, labor, or other damages. The obligation of this warranty is in lieu of all other warranties, expressed or implied, and no person or organization is authorized to assume any liability for Raven Industries.

**Damages caused by normal wear and tear, misuse, abuse, neglect, accident, or improper installation and maintenance are not covered by this warranty.**

# EXTENDED WARRANTY

## WHAT DOES THIS WARRANTY COVER?

This warranty covers all defects in workmanship or materials in your Raven Applied Technology Division product under normal use, maintenance, and service when used for intended purpose.

## DO I NEED TO REGISTER MY PRODUCT TO QUALIFY FOR THE EXTENDED WARRANTY?

Yes. Products/systems must be registered within 30 days of retail sale to receive coverage under the Extended Warranty. If the component does not have a serial tag, the kit it came in must be registered instead.

## WHERE CAN I REGISTER MY PRODUCT FOR THE EXTENDED WARRANTY?

To register, go online to [www.ravenhelp.com](http://www.ravenhelp.com) and select Product Registration.

## HOW LONG IS THE EXTENDED WARRANTY COVERAGE PERIOD?

Raven Applied Technology products that have been registered online are covered for an additional 12 months beyond the Limited Warranty for a total coverage period of 24 months from the date of retail sale. In no case will the Extended Warranty period exceed 36 months from the date the product was issued by Raven Industries Applied Technology division. This Extended Warranty coverage applies only to the original owner and is non-transferable.

## HOW CAN I GET SERVICE?

Bring the defective part and proof of purchase to your Raven dealer. If the dealer approves the warranty claim, the dealer will process the claim and send it to Raven Industries for final approval. The freight cost to Raven Industries will be the customer's responsibility. The Return Materials Authorization (RMA) number must appear on the box and all documentation (including proof of purchase) must be included inside the box to be sent to Raven Industries. In addition, the words "Extended Warranty" must appear on the box and all documentation if the failure is between 12 and 24 months from the retail sale.

## WHAT WILL RAVEN INDUSTRIES DO?

Upon confirmation of the product's registration for the Extended Warranty and the claim itself, Raven Industries will (at our discretion) repair or replace the defective product and pay for the standard return freight, regardless of the inbound shipping method. Expedited freight is available at the customer's expense.

## WHAT IS NOT COVERED BY THE EXTENDED WARRANTY?

Raven Industries will not assume any expense or liability for repairs made outside our facilities without written consent. Raven Industries is not responsible for damage to any associated equipment or products and will not be liable for loss of profit, labor, or other damages. Cables, hoses, software enhancements, and remanufactured items are not covered by this Extended Warranty. The obligation of this warranty is in lieu of all other warranties, expressed or implied, and no person or organization is authorized to assume any liability for Raven Industries.

**Damages caused by normal wear and tear, misuse, abuse, neglect, accident, or improper installation and maintenance are not covered by this warranty.**