

4

3

2

1



CUSTOMER APPROVAL			
LTR.	DESCRIPTION	DATE	APPR.

REVISIONS			
LTR.	DESCRIPTION	DATE	APPR.
A	RELEASED PER ECO E12541	11/09/07	BDB
B	REVISED PER ECO E18024	8/12/11	NOM
C	REVISED PER ECO E32120	10/23/18	JDG2

AUTOBOOM REPLACEMENT PARTS

UNLESS OTHERWISE SPECIFIED

DIMENSIONS ARE IN INCHES
 ONE PLACE DECIMALS ±.06
 TWO PLACE DECIMALS ±.03
 THREE PLACE DECIMALS ±.010
 FRACTIONS ± 1/16
 ANGLES ± 0°-30°
 BREAK EDGES .005-.015

MATERIAL

FINISH

NOTICE:

THIS DRAWING AND THE INFORMATION PROVIDED ARE PROPERTY OF RAVEN INDUSTRIES INC., AND MAY ONLY BE USED AS AUTHORIZED BY RAVEN INDUSTRIES INC.
 ALL RIGHTS RESERVED UNDER THE COPYRIGHT LAWS.

RAVEN

INDUSTRIES, INC.
 SIOUX FALLS, SOUTH DAKOTA

TITLE

SHEET, PRELACEMENT PARTS,
 AUTOBOOM

CODE IDENT. NO.

14979

SIZE

A

DRAWING NUMBER

054-0132-002

DO NOT SCALE DRAWING

DRAWN

JJP

8/10/11

SCALE

N/A

SHEET

1

OF

15



D

D

C

C

B

B

A

A



D

D

C

C

B

B

A

A

063-0130-009 (ANALOG)
422-0000-091 (DIGITAL)

420-2002-028

106-0159-627

312-1001-173

106-0159-628

312-1001-173

312-4000-166

312-2300-013

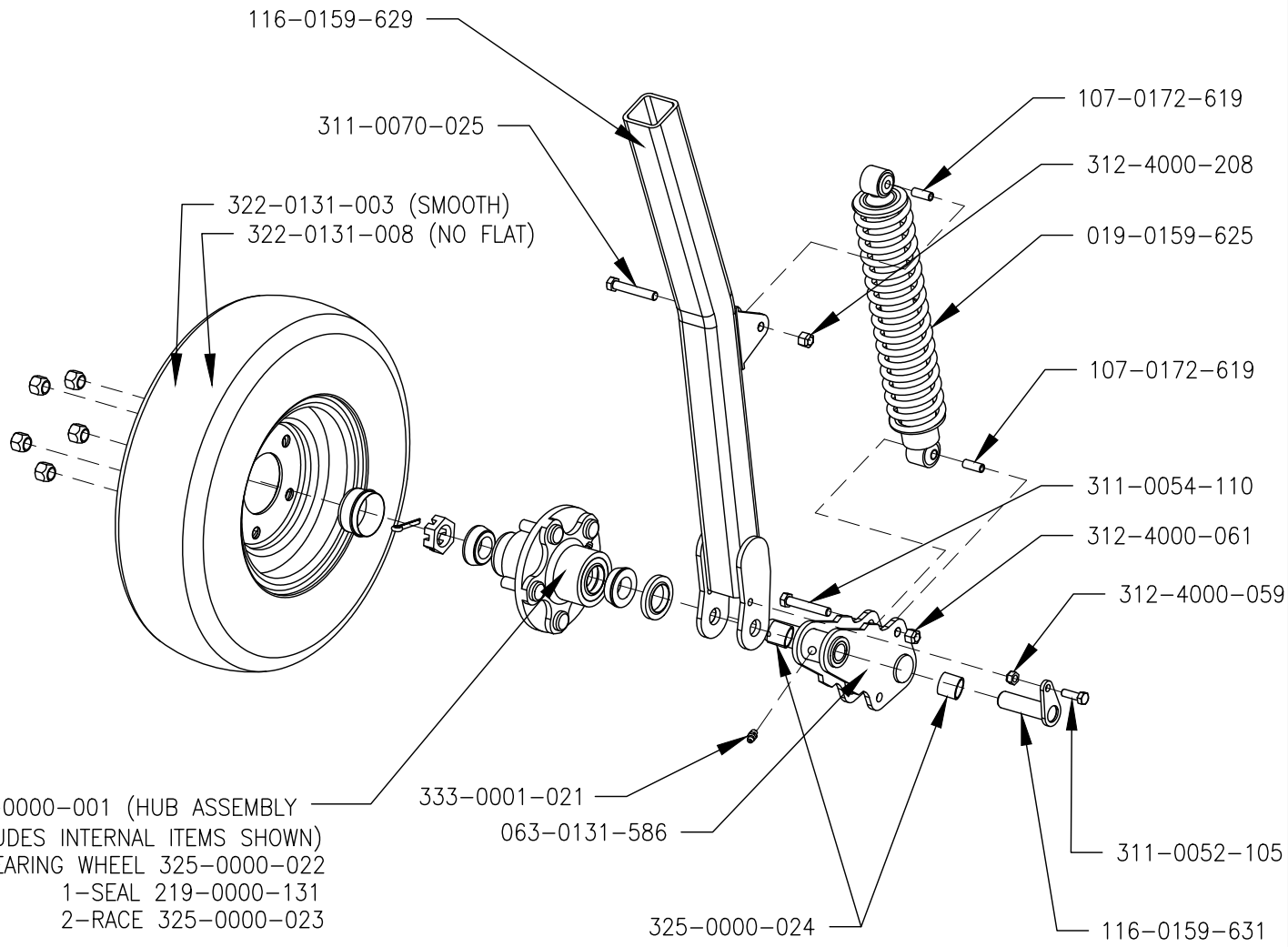
314-0000-016

312-2300-013

106-0159-626

311-0069-040

CODE IDENT. NO.	SIZE	DRAWING NUMBER
14979	A	054-0132-002
SCALE	N/A	SHEET 2 OF 15



CODE IDENT. NO. 14979	SIZE A	DRAWING NUMBER 054-0132-002
SCALE N/A	SHEET 3	OF 15

D

D

C

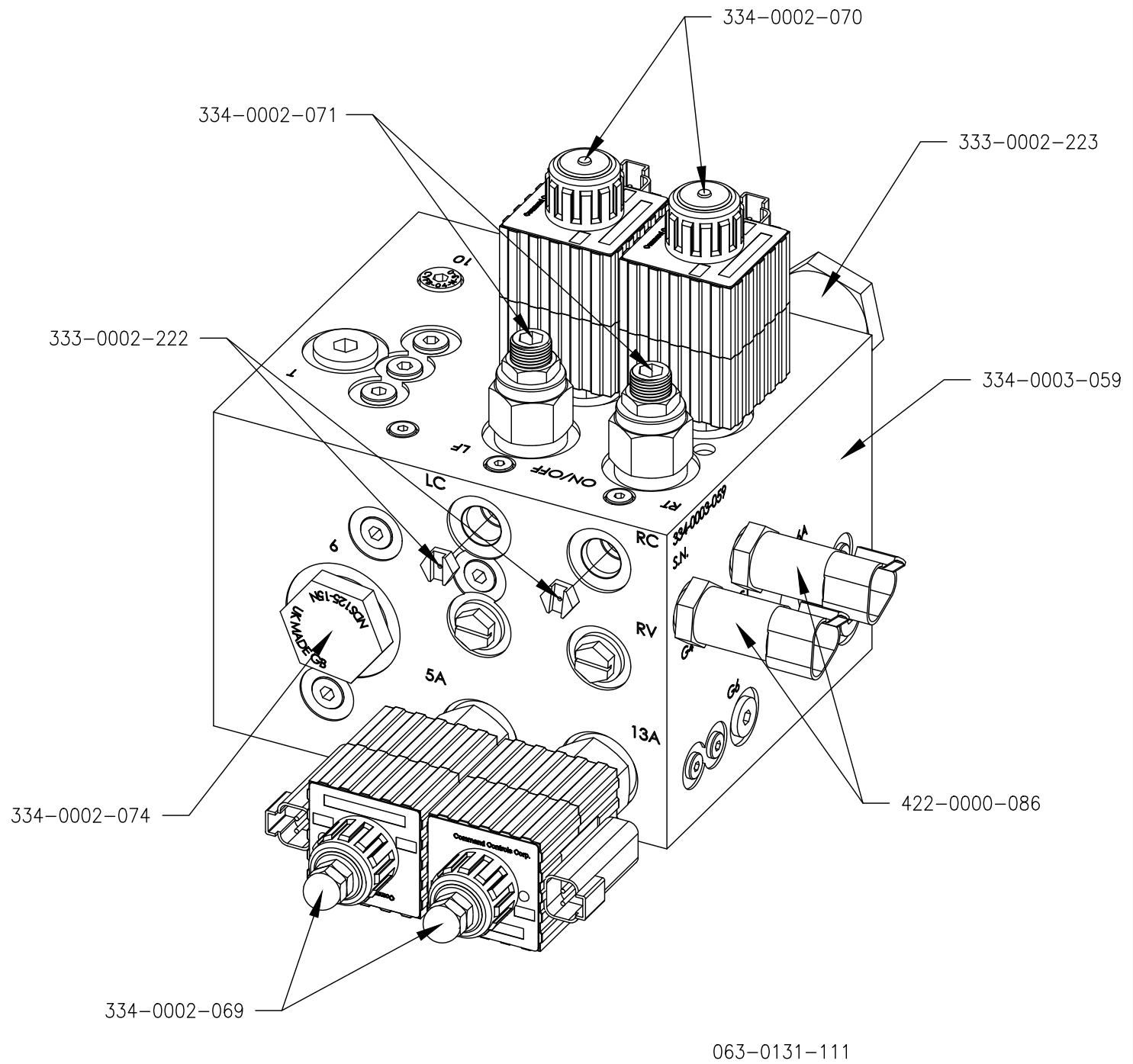
C

B

B

A

A



CODE IDENT. NO.	SIZE	DRAWING NUMBER
14979	A	054-0132-002
SCALE	N/A	SHEET 4 OF 15

D

D

C

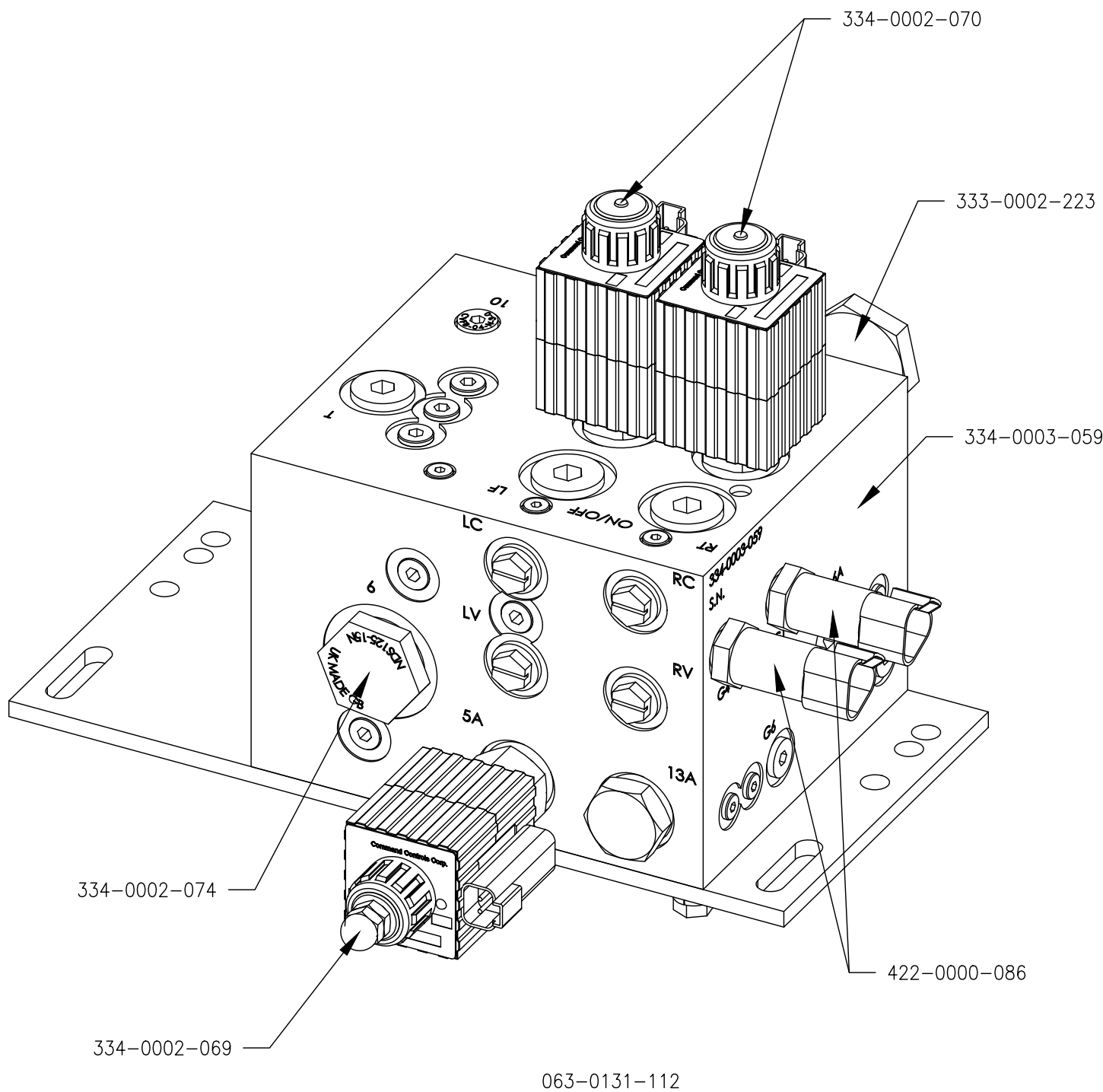
C

B

B

A

A



CODE IDENT. NO.	SIZE	DRAWING NUMBER
14979	A	054-0132-002
SCALE	N/A	SHEET 5 OF 15

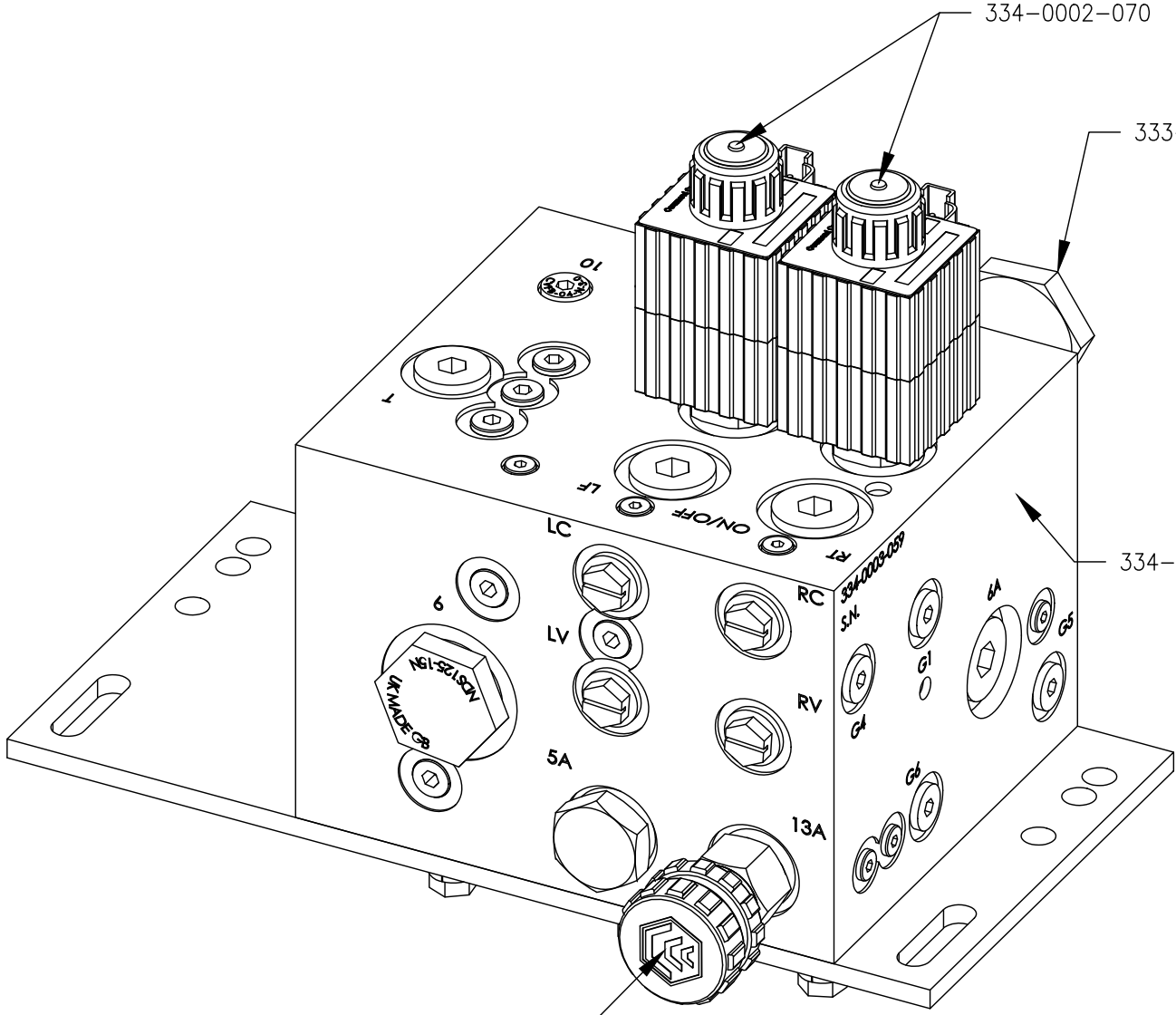
334-0002-070

333-0002-223

334-0003-059

334-0002-072

063-0131-119



CODE IDENT. NO.	SIZE	DRAWING NUMBER
14979	A	054-0132-002
SCALE	N/A	SHEET 6 OF 15

D

D

C

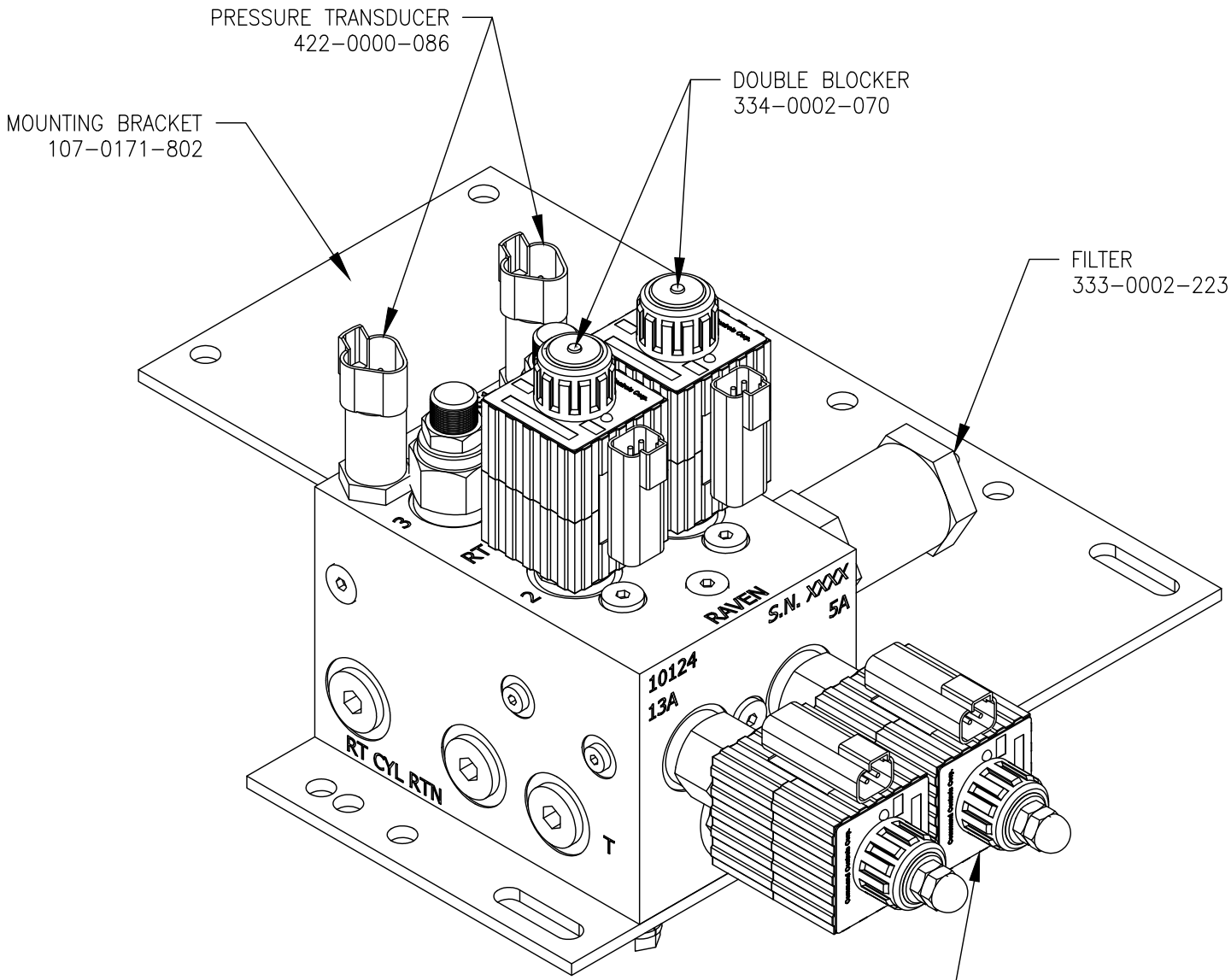
C

B

B

A

A



063-0131-120

PROPORTIONAL VALVE
334-0002-069

CODE IDENT. NO.	SIZE	DRAWING NUMBER
14979	A	054-0132-002
SCALE	N/A	SHEET 7 OF 15

4

3

2

1

D

D

PRESSURE TRANSDUCER
422-0000-086

MOUNTING BRACKET
107-0171-802

DOUBLE BLOCKER
334-0002-070

FILTER
333-0002-223

C

C

B

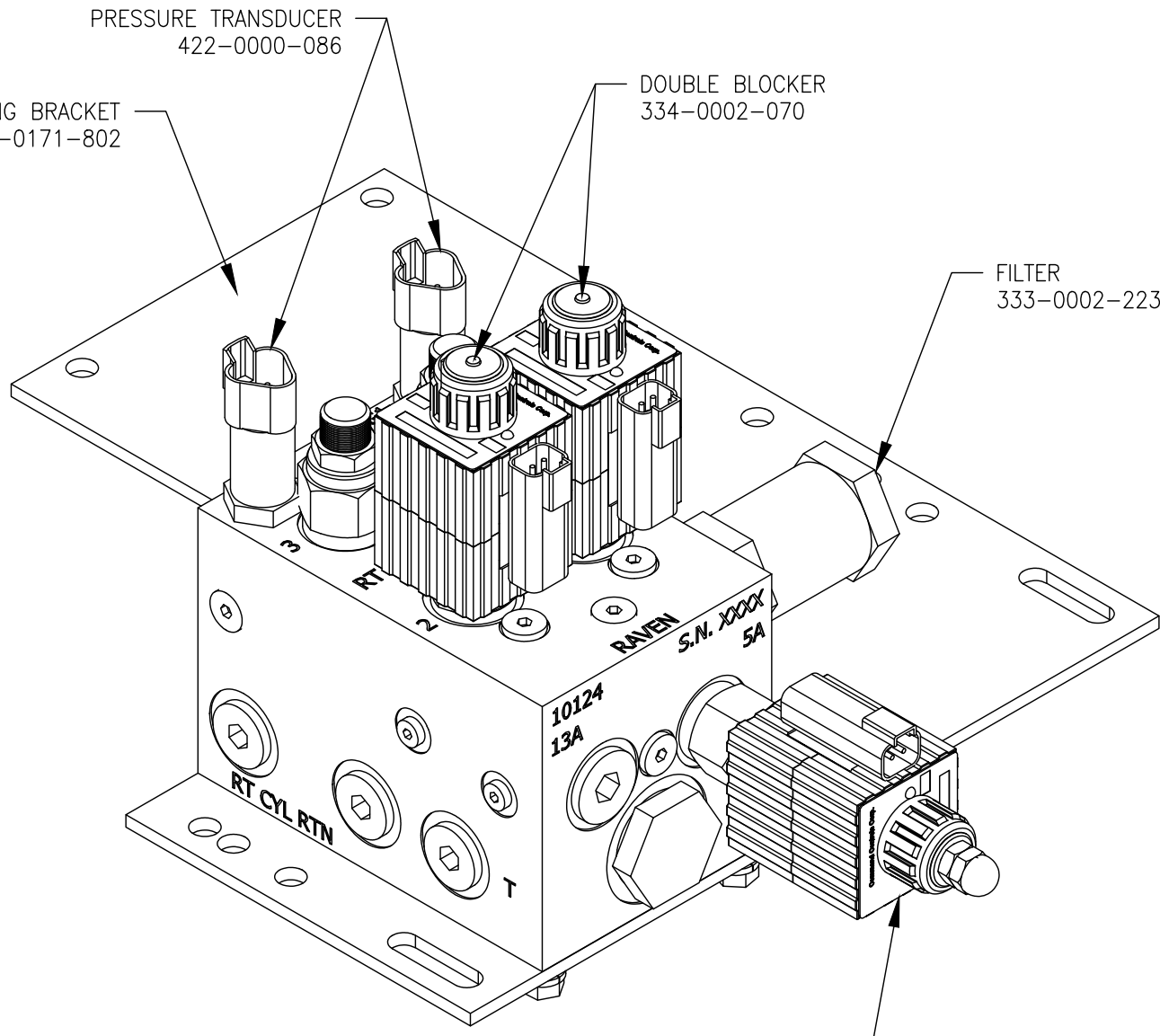
B

063-0131-122

PROPORTIONAL VALVE
334-0002-069

A

A



CODE IDENT. NO.	SIZE	DRAWING NUMBER
14979	A	054-0132-002
SCALE	N/A	SHEET 8 OF 15

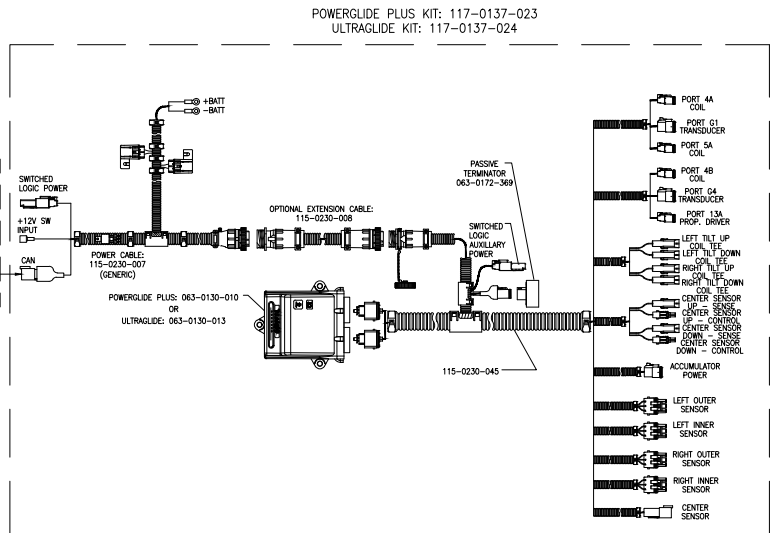
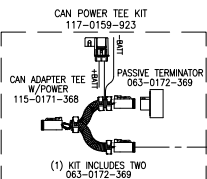
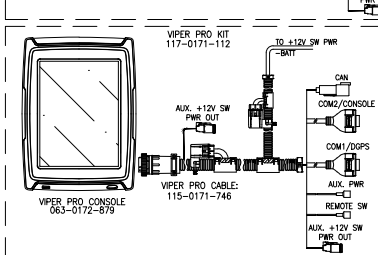
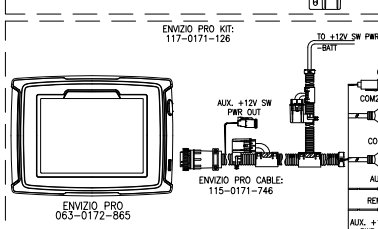
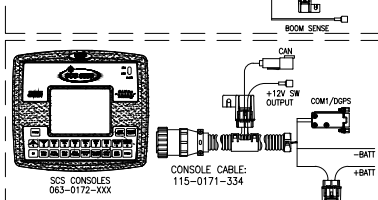
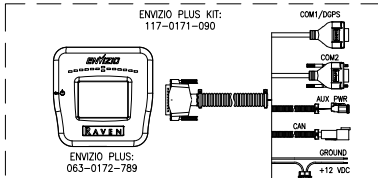
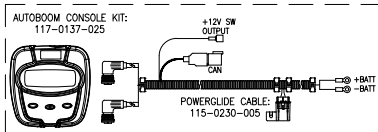
4

3

2

1

CAN POWERGLIDE PLUS AND ULTRAGLIDE SYSTEMS



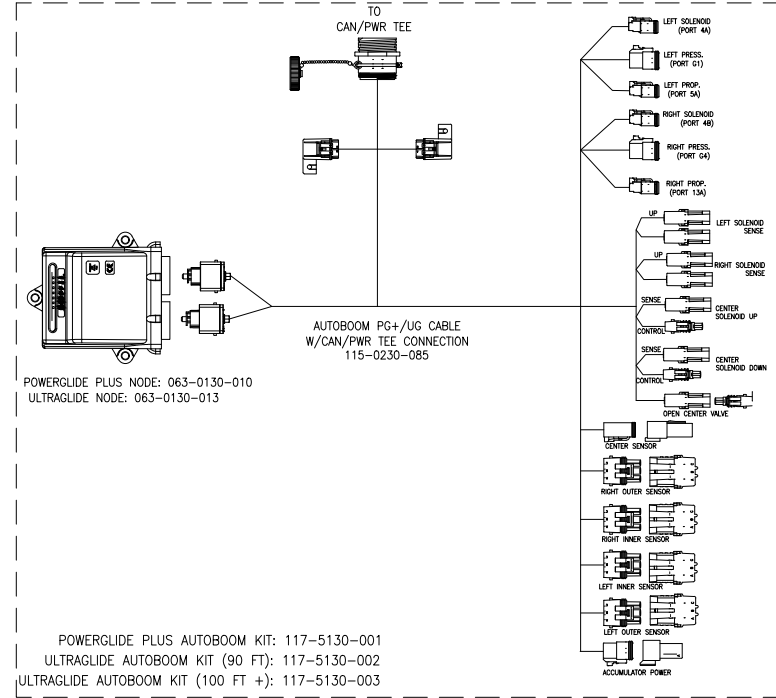
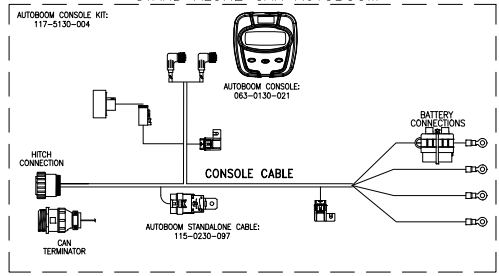
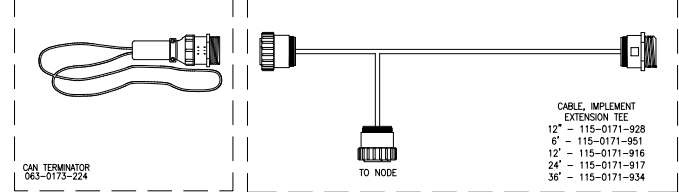
CODE IDENT. NO. 14979	SIZE A	DRAWING NUMBER 054-0132-002
SCALE N/A	SHEET 9	OF 15

RAVEN GEN II POWERGLIDE PLUS AND ULTRAGLIDE CAN AUTOBOOM

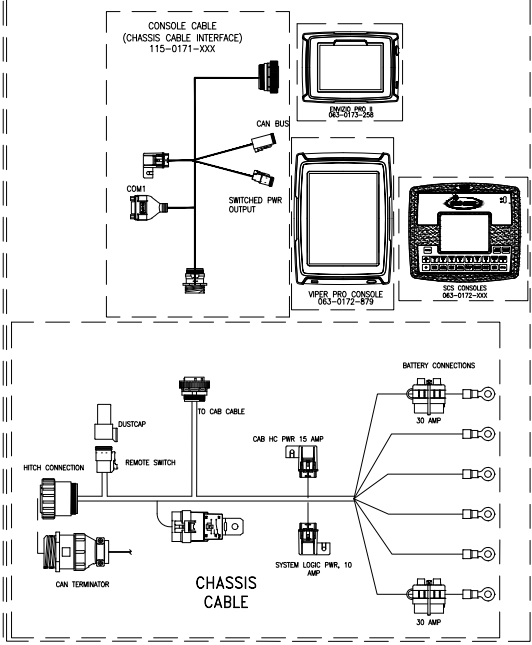
STAND ALONE CAN AUTOBOOM

ORDER SEPARATELY IF NOT ORDERING AUTOBOOM CONSOLE KIT, OR IF CAN TERMINATOR NOT BEING MOVED FROM PRODUCT CONTROL NODE OR CHASSIS HARNESS.

ORDER SEPARATELY. CABLE SHOULD REACH FROM RAVEN AUTOBOOM NODE TO 3' IN FRONT OF HITCH ON PULL-TYPE SPRAYERS, OR TO NEXT NODE CABLE ON SPRAYER.



CHASSIS CABLE SYSTEM CAN AUTOBOOM

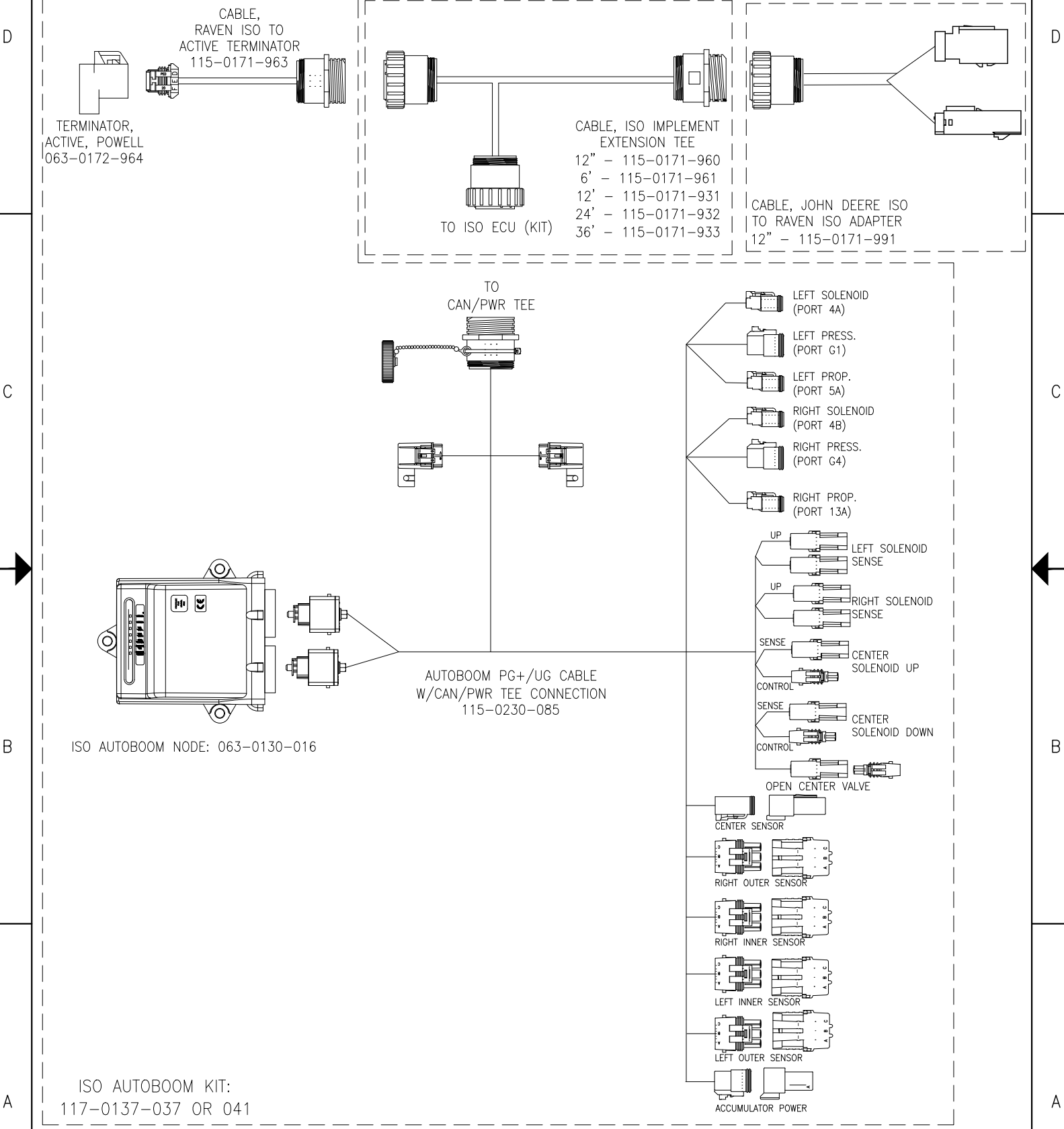


CODE IDENT. NO.	SIZE	DRAWING NUMBER
14979	A	054-0132-002
SCALE	N/A	SHEET 10 OF 15

RAVEN ISO AUTOBOOM WITH JOHN DEERE PRODUCT CONTROL

ORDER SEPARATELY, CABLE SHOULD REACH FROM AUTOBOOM NODE TO JOHN DEERE RATE CONTROL ECU

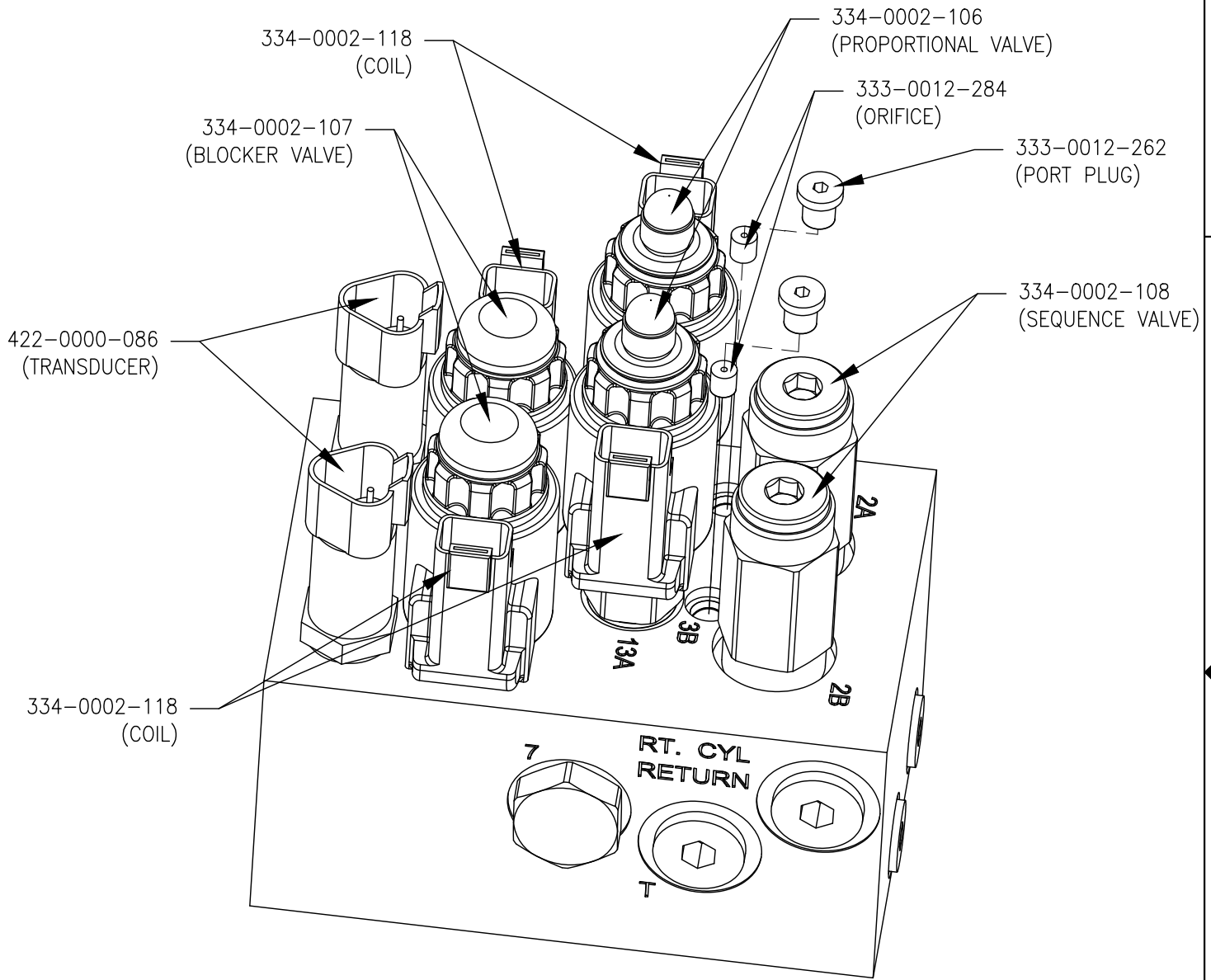
ORDER SEPARATELY, CONNECTS ISO IMPLEMENT EXTENSION TEE TO JOHN DEERE PRODUCT CONTROL ECU



ISO AUTOBOOM NODE: 063-0130-016

ISO AUTOBOOM KIT:
117-0137-037 OR 041

CODE IDENT. NO. 14979	SIZE A	DRAWING NUMBER 054-0132-002
SCALE N/A	SHEET 11	OF 15



063-0131-124
VALVE, HYDRAULIC POWERGLIDE
PLUS/ULTRGLIDE, CLOSED CENTER, AUTOBOOM

CODE IDENT. NO.	SIZE	DRAWING NUMBER
14979	A	054-0132-002
SCALE	N/A	SHEET 12 OF 15

D

D

C

C

B

B

A

A

334-0002-118
(COIL)

334-0002-107
(BLOCKER VALVE)

334-0002-106
(PROPORTIONAL VALVE)

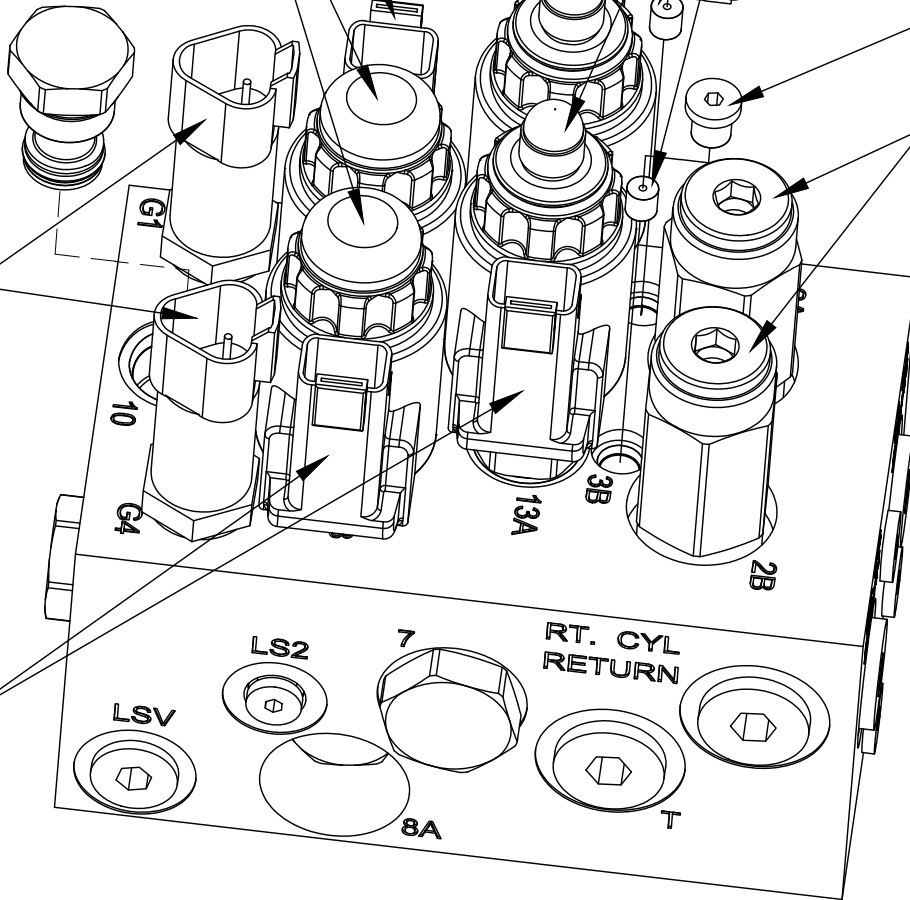
333-0012-284
(ORIFICE)

333-0012-262
(PORT PLUG)

334-0002-108
(SEQUENCE VALVE)

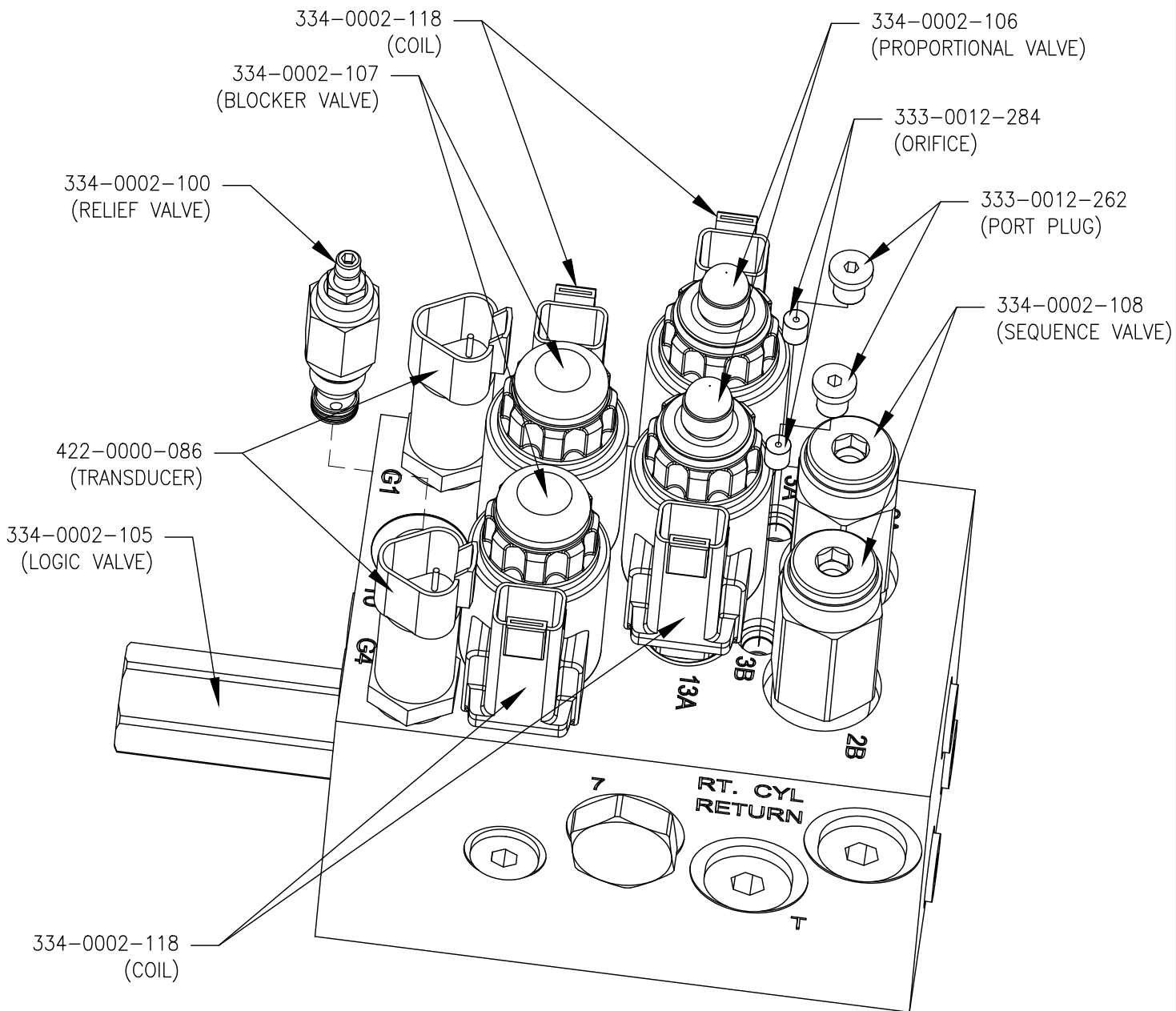
422-0000-086
(TRANSDUCER)

334-0002-118
(COIL)



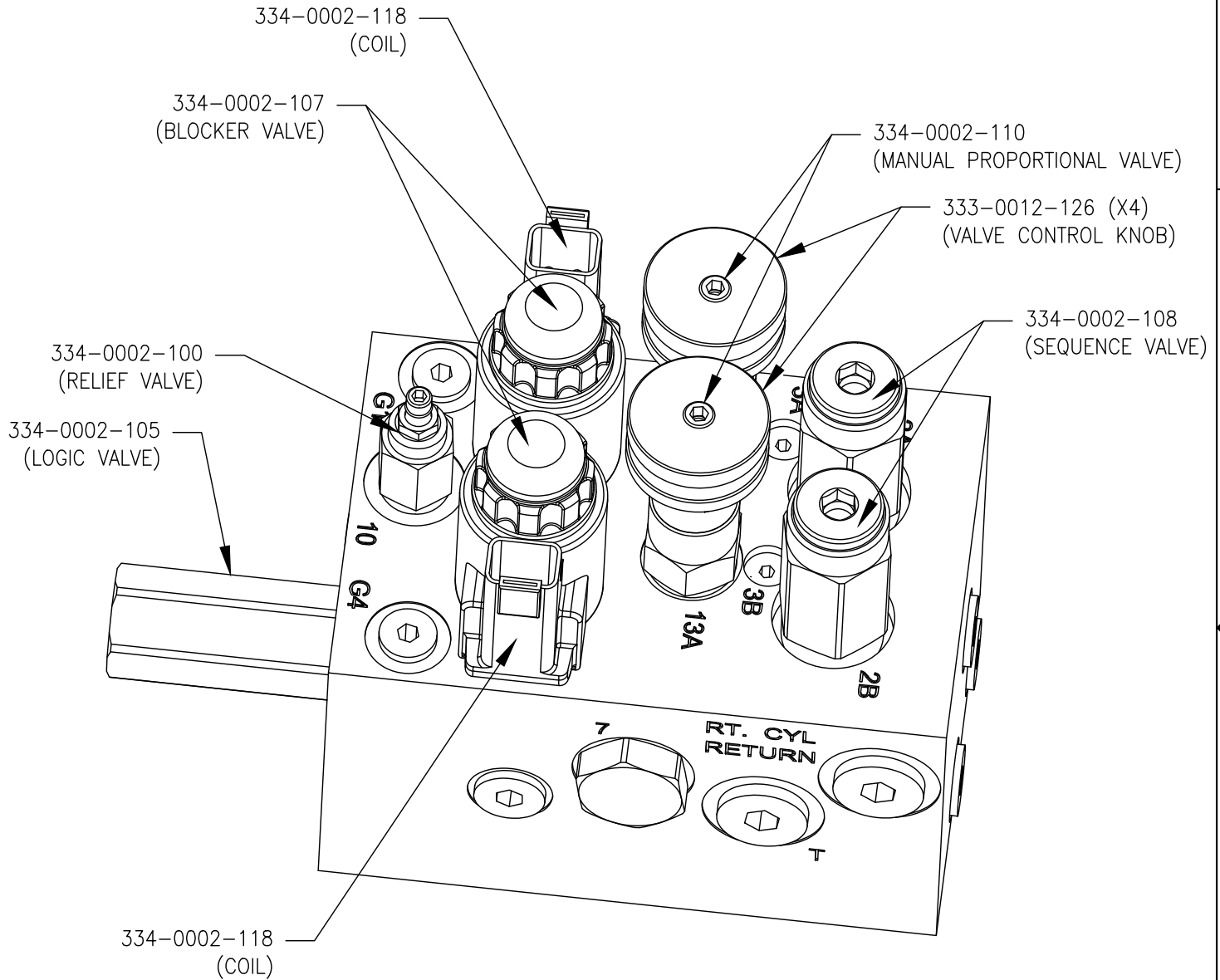
063-0131-125
 VALVE, HYDRAULIC POWERGLIDE
 PLUS/ULTRGLIDE, DYNAMIC LS, AUTOBOOM

CODE IDENT. NO.	SIZE	DRAWING NUMBER
14979	A	054-0132-002
SCALE	N/A	SHEET 13 OF 15



063-0131-126
 VALVE, HYDRAULIC POWERGLIDE
 PLUS/ULTRGLIDE, OPEN CENTER, AUTOBOOM

CODE IDENT. NO.	SIZE	DRAWING NUMBER
14979	A	054-0132-002
SCALE	N/A	SHEET 14 OF 15



063-0131-127
VALVE, HYDRAULIC POWERGLIDE,
OPEN CENTER, AUTOBOOM

CODE IDENT. NO.	SIZE	DRAWING NUMBER		
14979	A	054-0132-002		
SCALE	N/A	SHEET	15	OF 15