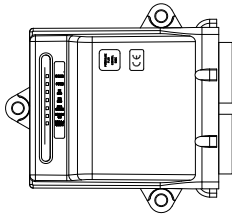
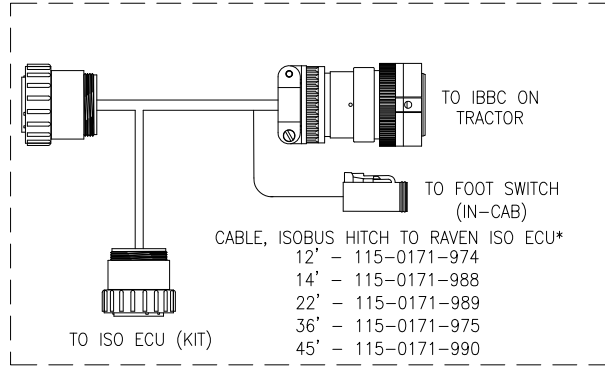
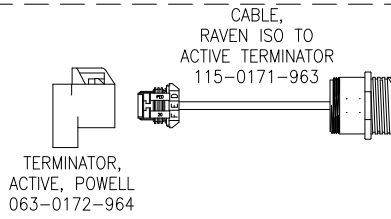


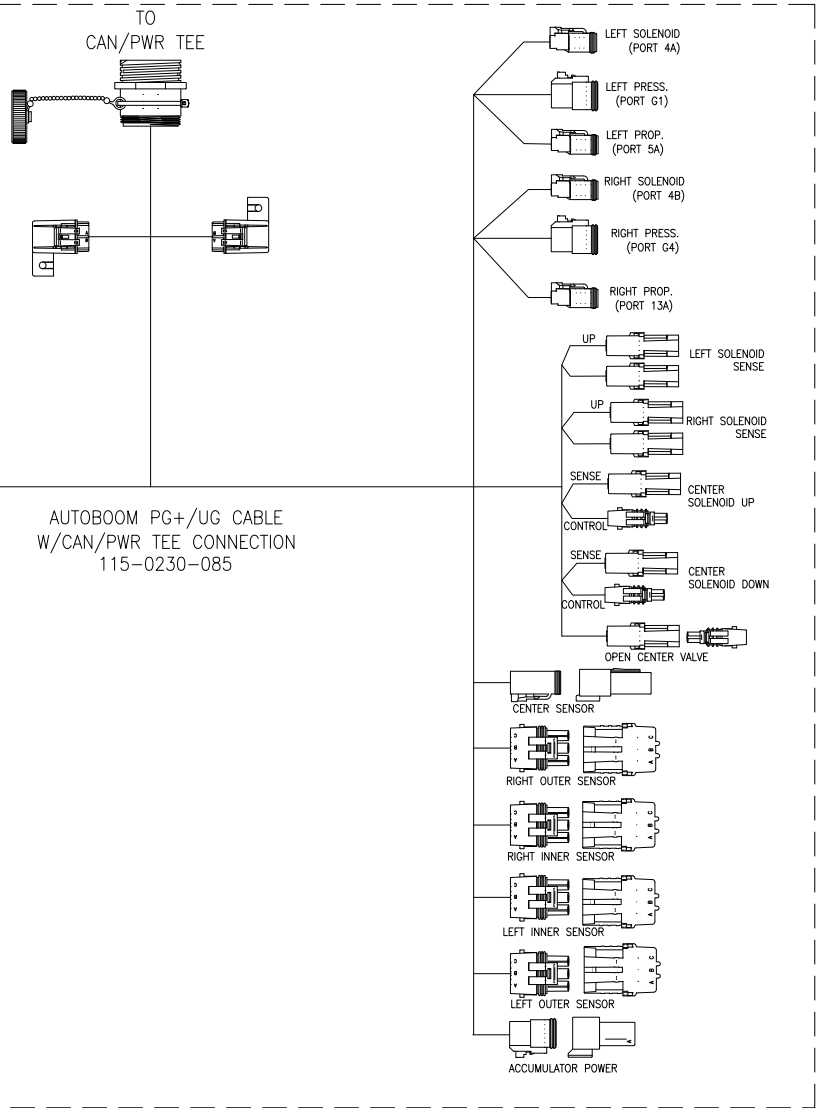
# ISO AUTOBOOM WITHOUT ISO PRODUCT CONTROL

ORDER SEPARATELY, CABLE SHOULD REACH FROM ECU OR TEE TO 3' IN FRONT OF HITCH MINIMUM



ISO AUTOBOOM NODE: 063-0130-016

ISO AUTOBOOM KIT:  
117-0137-037, 041



RELEASED DATE	ECO NO.	PROD. MGR.	SERV. MGR.	PROD. CHAMP.	ENG.	DRAFT.	REV.	DRAWING NO.
3/31/11	E17401	BDB	TAC	ADA	NOM	MAP	A	054-2430-006