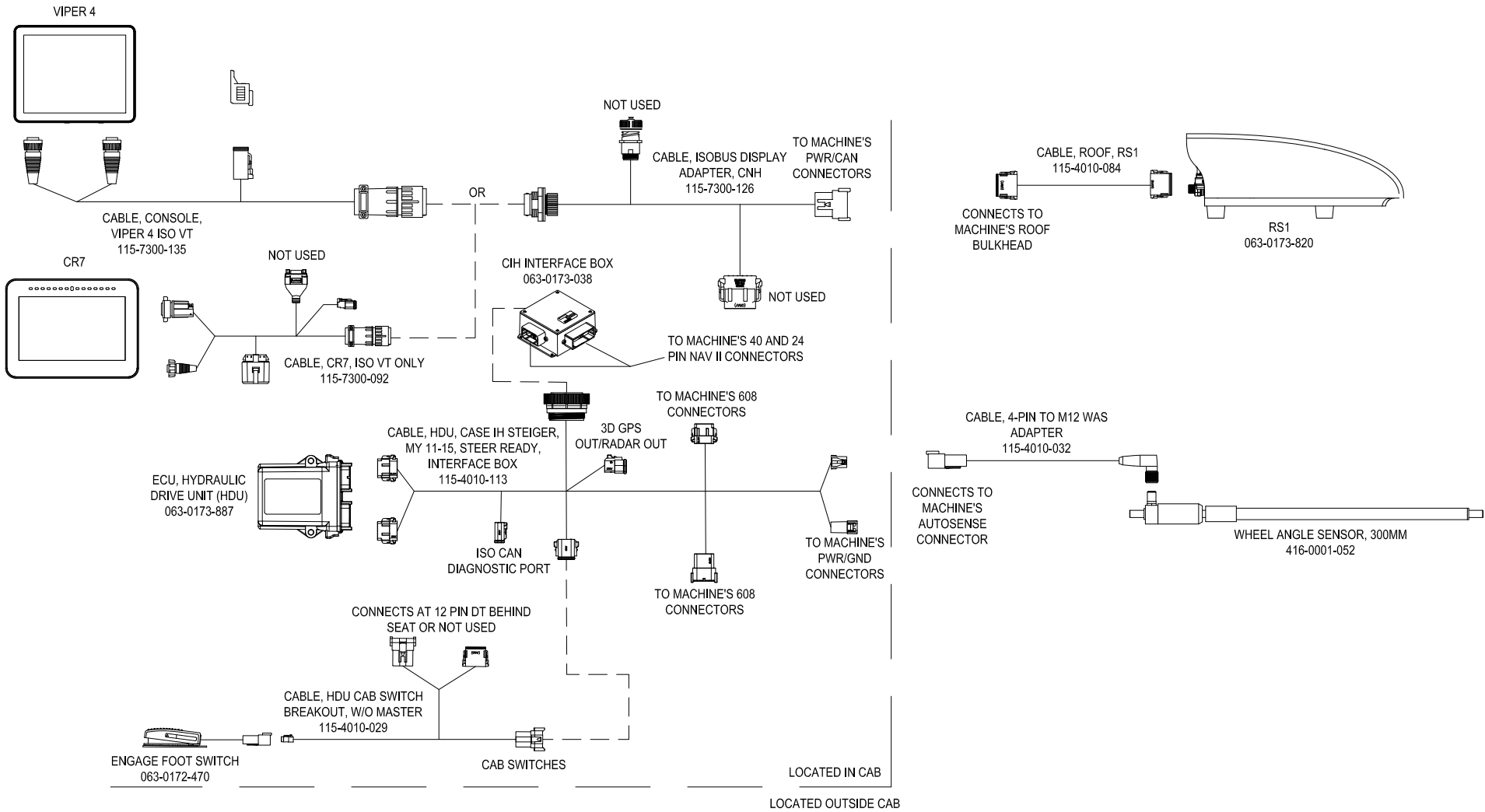


V4/CR7 - RS1/HDU CASE STEIGER/NH T9.XXX MY 11-15 INSTALLATION



RELEASED DATE	ECO #	REV.	DRAWING NO.
3/7/19	32945	A	054-5032-126