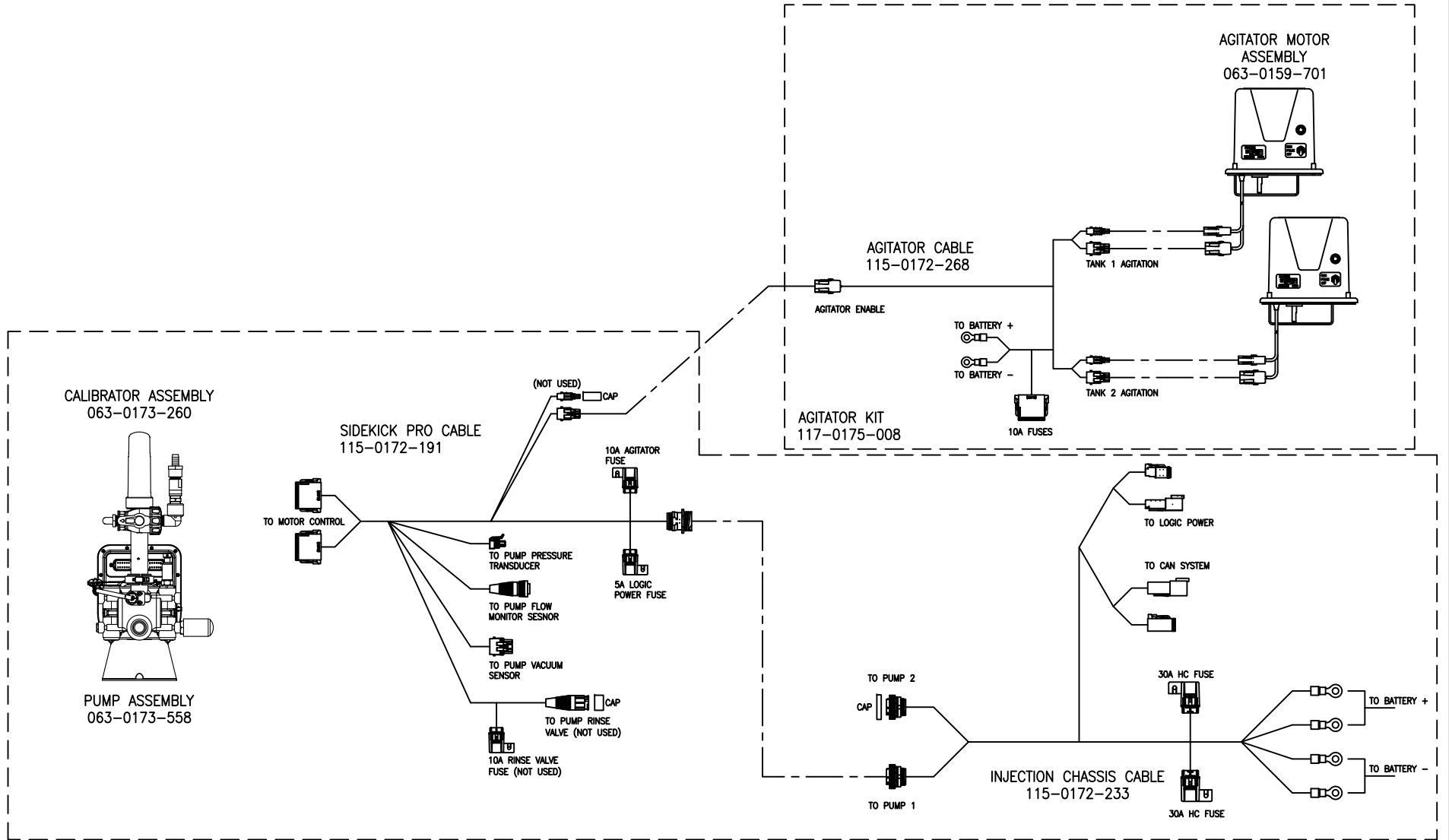


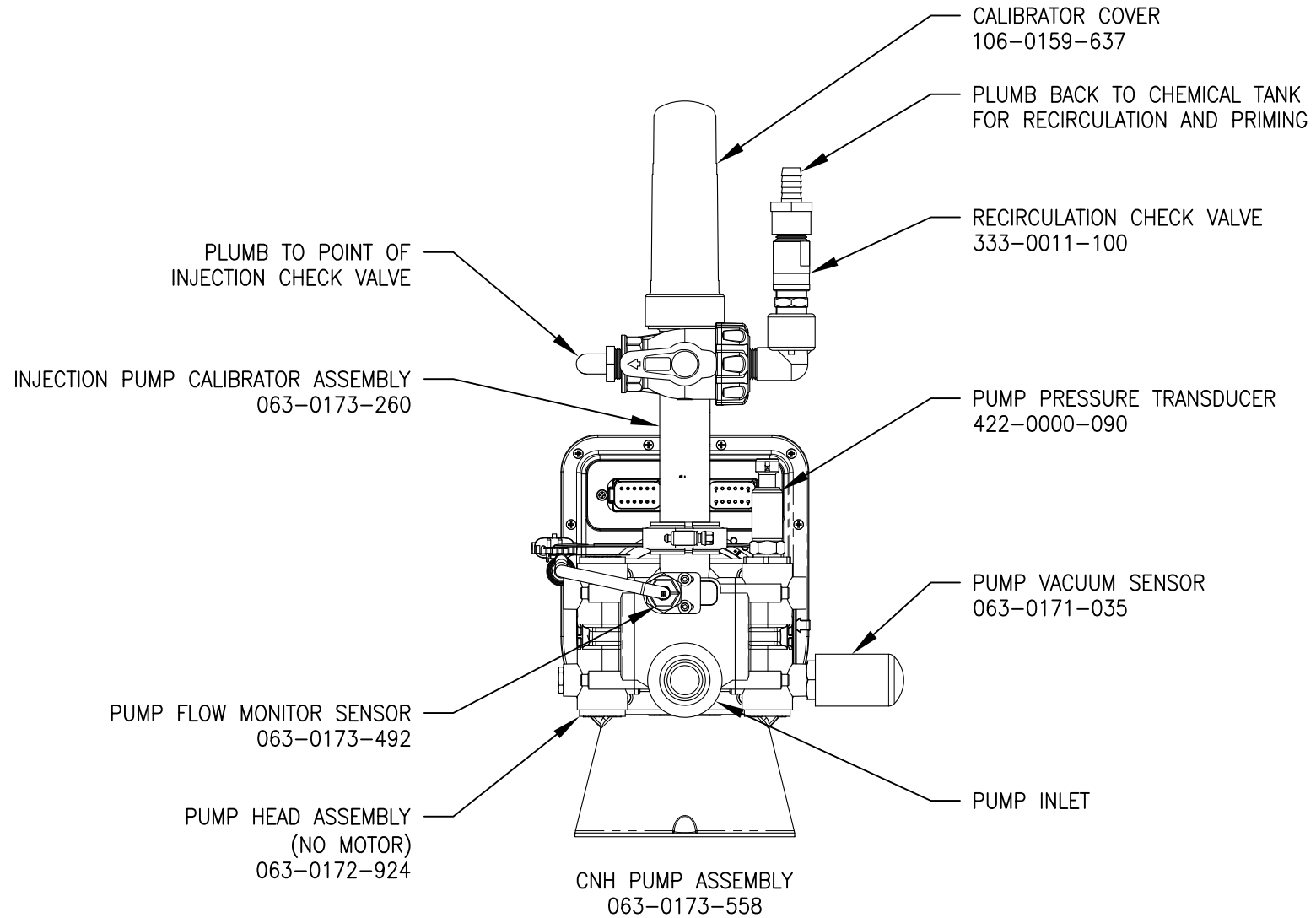
SYSTEM DRAWING, CAN SIDEKICK PRO INJECTION, SINGLE PUMP, CASE IH 32/33/44xx



117-0175-001, SINGLE PUMP

RELEASED DATE	ECO #	REV.	DRAWING NO.
8/6/15	24001	A	054-5120-004
12/31/18	32447	B	054-5120-004

CNH, DIRECT CHEMICAL INJECTION PUMP



NOTE *****

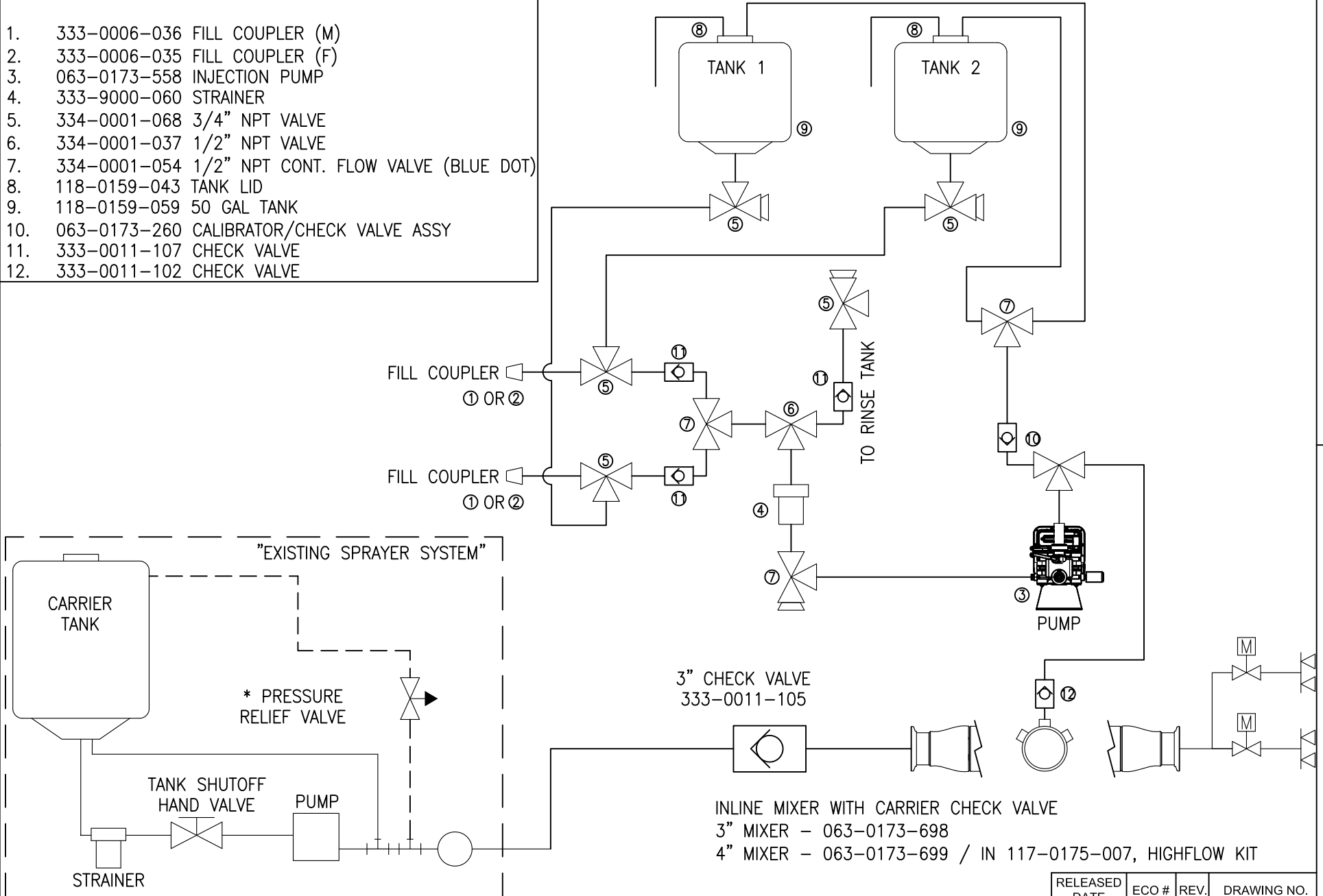
CNH PUMPS ARE NOT INTERCHANGEABLE WITH SIDEKICK PRO PUMPS ON OTHER SELF PROPELLED SPRAYERS

RELEASED DATE	ECO #	REV.	DRAWING NO.
8/6/15	24001	A	054-5120-004
12/31/18	32447	B	054-5120-004

PARTS LIST:

1. 333-0006-036 FILL COUPLER (M)
2. 333-0006-035 FILL COUPLER (F)
3. 063-0173-558 INJECTION PUMP
4. 333-9000-060 STRAINER
5. 334-0001-068 3/4" NPT VALVE
6. 334-0001-037 1/2" NPT VALVE
7. 334-0001-054 1/2" NPT CONT. FLOW VALVE (BLUE DOT)
8. 118-0159-043 TANK LID
9. 118-0159-059 50 GAL TANK
10. 063-0173-260 CALIBRATOR/CHECK VALVE ASSY
11. 333-0011-107 CHECK VALVE
12. 333-0011-102 CHECK VALVE

PLUMBING DIAGRAM



RELEASED DATE	ECO #	REV.	DRAWING NO.
8/6/15	24001	A	054-5120-004
12/31/18	32447	B	054-5120-004