

INSTALLATION SHEET FOR 50 GALLON INJECTION MODULE

This guide offers instructions to assemble the 50 gallon [189 L] Sidekick™ injection module.

All components mounted during this process require a bolt, two washers, and a lock nut unless using a weldment with weld nuts. If using a weldment, only a bolt and a flat washer are required. There are several different sizes of hardware used in the assembly. The appropriate hardware size is noted in the assembly illustrations throughout this guide.

FIGURE 1. Hardware Assemblies



Seal threaded joints on plumbing assemblies with thread sealant paste or tape (not provided).

BASE AND CAGE MOUNTING

FIGURE 2. Base and Cage Assembly

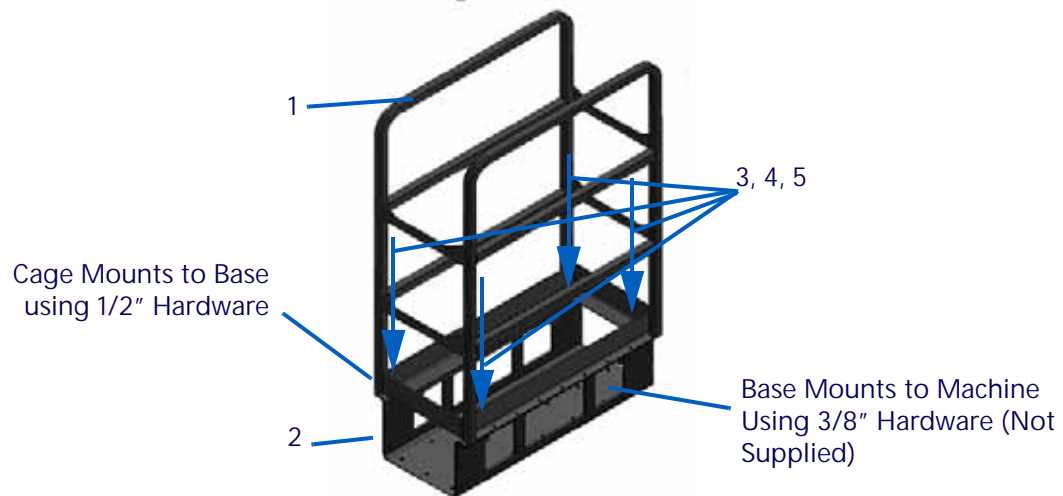


TABLE 1. Base and Cage Assembly Components

| Item | Description | Part Number |
|------|------------------------|--------------|
| 1. | Cage, Weldment | 116-0159-759 |
| 2. | Base, Injection Module | 107-0172-527 |
| 3. | Bolt, 1/2"-13 x 1-1/2" | 311-0058-097 |
| 4. | Locknut, 1/2" | 312-4000-065 |
| 5. | Washer, 1/2" | 313-2300-018 |



TANK ASSEMBLY

FIGURE 3. Under Tank Assembly

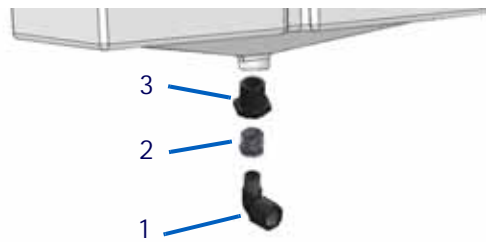
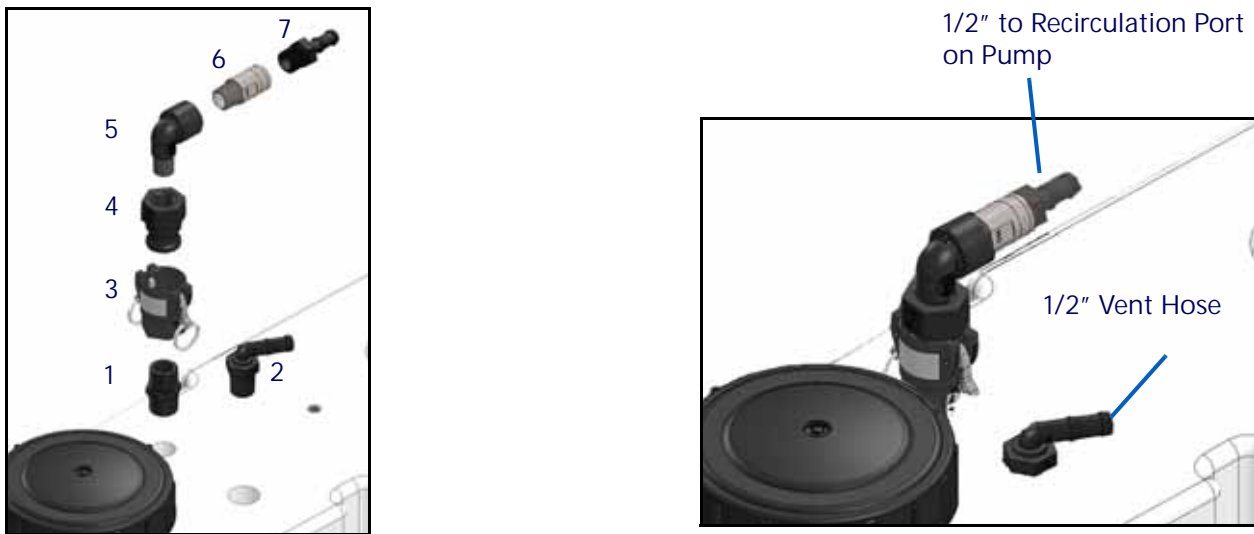


TABLE 2. Under Tank Components

| Item | Description | Part Number |
|------|--|--------------|
| 1. | Fitting, 1/2" x 1/2" NPT 90° Street Elbow Pipe | 333-0007-031 |
| 2. | Fitting, Reducer 3/4" MNPT to 1/2" FNPT | 333-0003-037 |
| 3. | Fitting, 1" NPT to 3/4" NPT Bushing | 333-0003-041 |

FIGURE 4. Top Tank Assembly

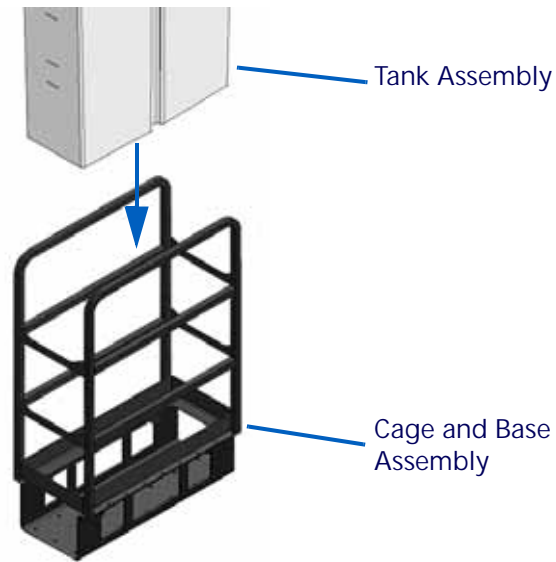


NOTE: Route the vent/overflow tube along side of tank so that the open end is lower than bottom of the tank.

TABLE 3. Top Tank Assembly Components

| Item | Description | Part Number |
|------|---|--------------|
| 1. | Fitting, 3/4" Close Poly Pipe Nipple | 333-0008-155 |
| 2. | Fitting, 3/4" MPT to 1/2" Hose Barb 90° Elbow | 333-0002-337 |
| 3. | Coupler, 3/4" x 3/4" FNPT Female Camlock | 333-0006-041 |
| 4. | Coupler, 3/4" x 1/2" FNPT Male Camlock | 333-0006-045 |
| 5. | Elbow, Black Poly 90° Street | 333-0007-031 |
| 6. | Valve, 1/2" Check (12 PSI with Bleed Hole) | 333-0011-100 |
| 7. | Fitting, Hose Barb Fitting Black Poly | 333-0002-031 |

FIGURE 5. Tank Assembly Into Cage



FILL STATION

FIGURE 6. Fill Station Assembly

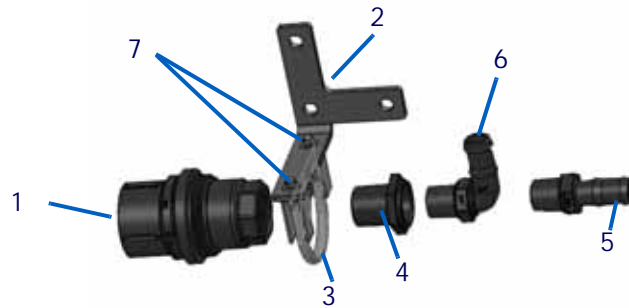


TABLE 4. Fill Station Assembly Components

| Item | Description | Part Number |
|-----------------|--|--------------|
| 1. | Coupler, Remote Fill | 333-0006-036 |
| 2. | Bracket, 50 Gallon Injection Module Fill | 107-0171-528 |
| 3. | U-Bolt | 435-3003-059 |
| 4. | Fitting, Reducer 1" MNPT to 3/4" FNPT | 333-0003-041 |
| 5. | Fitting, 3/4" MNPT to 3/4" HSB | 333-0002-035 |
| 6. ¹ | Fitting, Elbow 3/4" MPNT to 3/4" HSB | 333-0002-035 |
| 7. ² | Locknut, 5/16" | 312-4000-059 |

1. Optional 90° elbow for mounting assembly due to space constraints.

2. Use supplied 5/16" locknuts to replace the nuts on the clamping U-bolt.



TANK OUTLET PLUMBING

FIGURE 7. Tank Outlet Plumbing Assembly

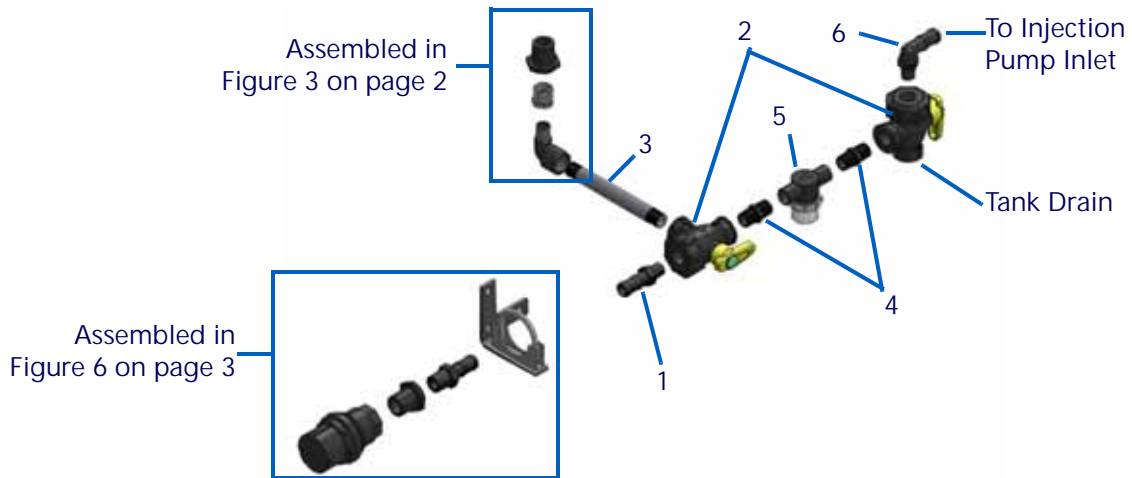
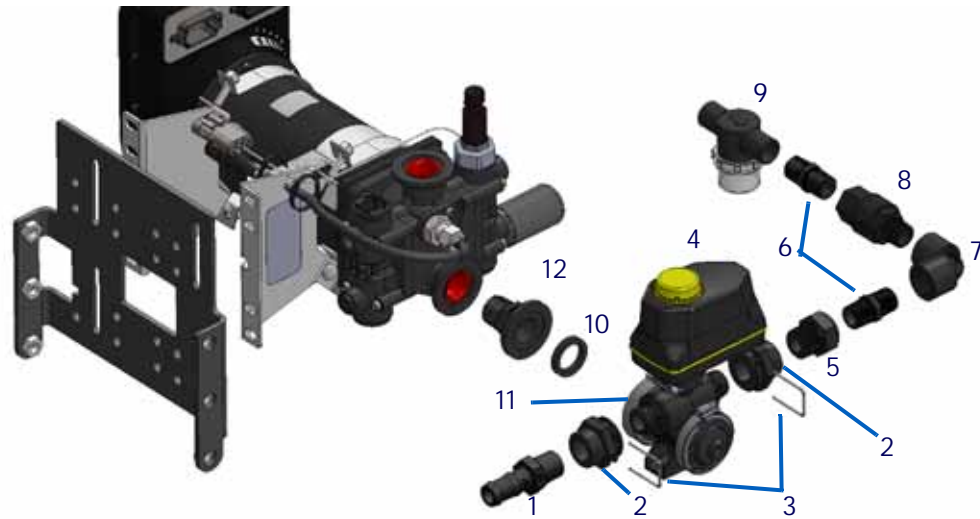


TABLE 5. Tank Outlet Plumbing Assembly Components

| Item | Description | Part Number |
|------|---|--------------|
| 1. | Fitting, 3/4" MNPT to 3/4" HSB | 333-0002-035 |
| 2. | Valve, 3/4" 3-Way Ball | 435-3003-057 |
| 3. | Fitting, 1/2" NPT x 6.5" Long Nipple | 333-0008-505 |
| 4. | Fitting, 1/2" Close Poly Pipe Nipple | 333-0008-154 |
| 5. | Strainer, 1/2" FNPT, Poly, 20 Mesh Screen | 333-9000-061 |
| 6. | Elbow, 90° Male Taper Thread/Hose Barb Black Poly | 333-0002-034 |

RINSE ASSIST PLUMBING

FIGURE 8. Rinse Assist Plumbing



NOTE: Sidekick™ Pro injection pump not included in kit. Refer to Figure 9 on page 6 for pump mounting detail.

Ensure the check valve direction corresponds with the correct fluid flow direction.

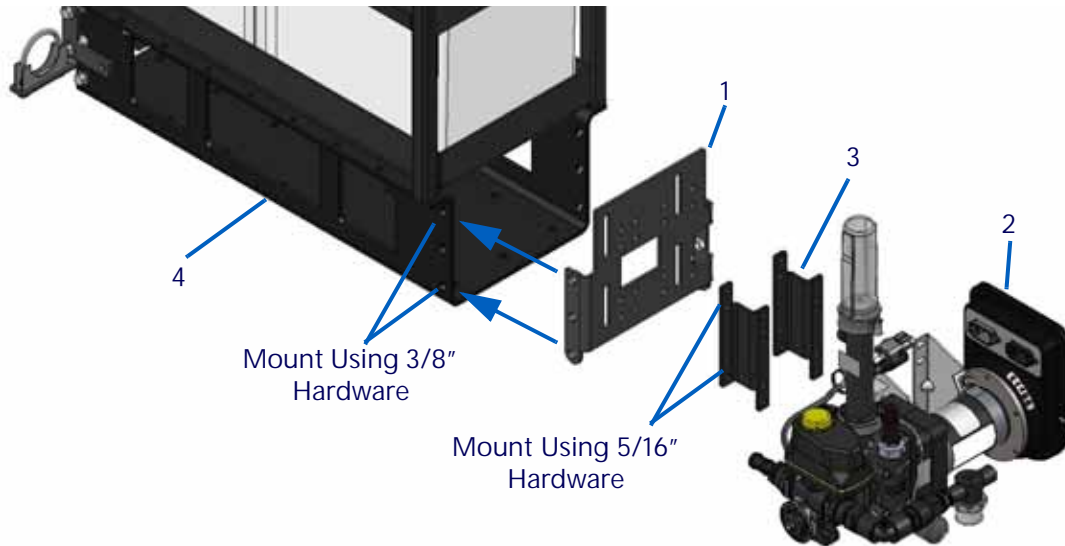
TABLE 6. Rinse Assist Plumbing Assembly Components

| Item | Description | Part Number |
|------|--|--------------|
| 1. | Fitting, 3/4" NPT to 3/4 HB Poly | 333-0002-035 |
| 2. | Fitting, 3/4" FNPT KZ Valve Adapter | 334-0001-075 |
| 3. | Fitting, KZ Valve Retainer Hairpin | 334-0001-076 |
| 4. | Valve, Actuated 1/2" NPT 180° AC 3-Way | 334-0001-079 |
| 5. | Fitting, 3/4" NPT to 1/2" NPT Pipe Bushing | 333-0003-037 |
| 6. | Fitting, 1/2" NPT x 1/2" NPT Nipple Pipe | 333-0008-154 |
| 7. | Fitting, 1/2" NPT Poly Pipe Elbow | 333-0002-132 |
| 8. | Check Valve, 1/2" NPT, 0.3 PSI, Poly | 333-0011-107 |
| 9. | Strainer, 1/2" FNPT Poly 20 Mesh Screen | 333-9000-061 |
| 10. | Gasket, M-100 Viton Flange | 219-0000-129 |
| 11. | Clamp, V-Band | 435-3003-044 |
| 12. | Fitting, M100 to 3/4" MNPT Flanged | 333-0002-311 |



PUMP MOUNTING

FIGURE 9. Pump Mounting



NOTE: Pump band clamps may need to be loosened to adjust mounting feet for best fit.
Standoffs only needed for low-volume injection pumps.

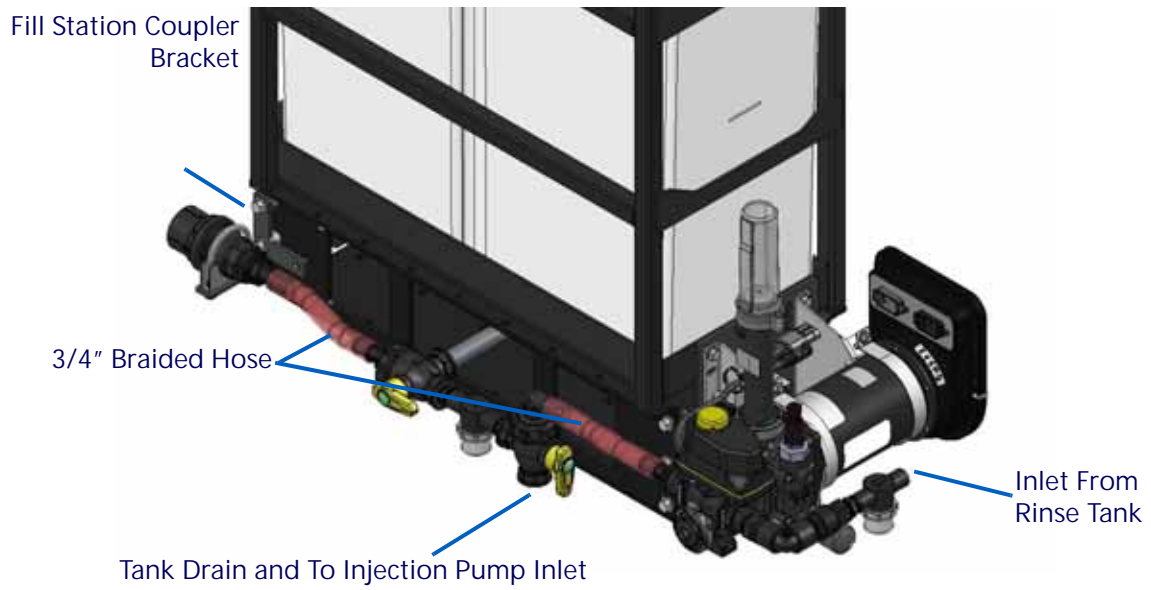
TABLE 7. Pump Mounting Components

| Item | Description | Part Number |
|------|-------------------------------|--------------------|
| 1. | Weldment, Pump Mount | 116-0159-797 |
| 2. | Pump, Sidekick™ Pro Injection | Ordered Separately |
| 3. | Standoff, Low-Volume Pump | 107-0172-522 |
| 4. | Base, Module | 107-0172-527 |

CONNECTING HOSES

- Use the supplied 3/4" braided hose to connect the auto or manual rinse assembly to the tank, pump, and fill station. Secure the hose to the hose barb fittings with the provided hose clamps (P/N 435-3003-003).
- Use the supplied 1/2" hose to connect the pump recirculation port to the return port on top of the tank. Secure the hose to the hose barb fittings with the provided hose clamps (P/N 435-3003-002).
- Use the supplied 1/2" hose to connect to the vent port on the top of the tank. Secure the hose to the hose barb fittings with the provided hose clamps (P/N 435-3003-002). Route and secure the hose along the side of the cage ensuring the end of the line site below the module assembly.
- All other hose connections require hoses that are not supplied in the kit.

FIGURE 10. Hose Routing



- Use two spacers (P/N 107-0172-037) to mount the fill station coupler so the hose aligns properly with the 3-way valve.
- The drain/inlet 3-way valve may be used to drain or rinse the injection tank. When drain is not in use, insert plug (P/N 333-0009-063).



