
AIM COMMAND FLEX: RAVEN CABLE SPECIFICATIONS

ENVIRONMENTAL SPECIFICATIONS

OVERMOLDS

Overmolds must meet or exceed IP69K ingress rating.

MATED CONNECTIONS

Mated connections must meet or exceed IP67 ingress rating.

FINAL ASSEMBLY

Operational: The final assembly operational temperature rating is -40C to +70C.

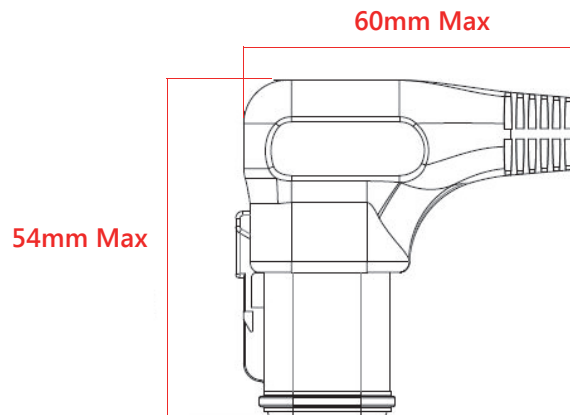
Static: The final assembly static temperature rating is -60C to +85C.

PACKAGING SPECIFICATIONS

- Individually package cables in a sealable bag.
- Label bags with the CNH part number, the Raven part number, and a bar code.
- Individually packaged cables can be bulk shipped in any manner agreed upon by Raven supply chain personnel.

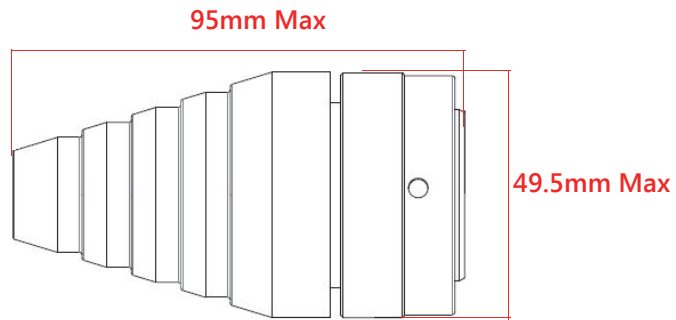
OVERMOLD SPECIFICATIONS

6-PIN



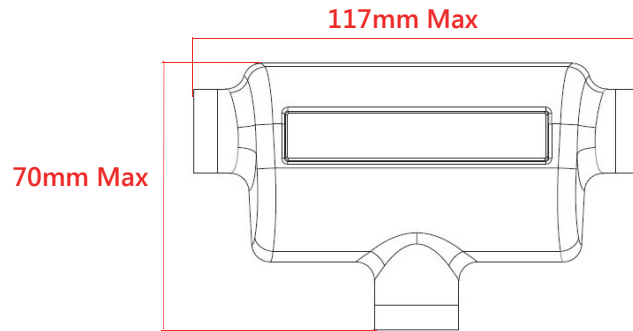
- Deutsch Connector: DT06-6S-EP11
- Deutsch Socket(s): 1062-16-0644
- Deutsch Wedge Lock: W6S-P012
- Overmold Material: Black Techmomet PA 6208
- The appearance of the overmold shown is for reference purposes only. The overmold may look different but the overall dimensions must fall within the specified maximum dimensions.
- The final overmold appearance and layout must be approved by Raven Industries engineering.

19-PIN



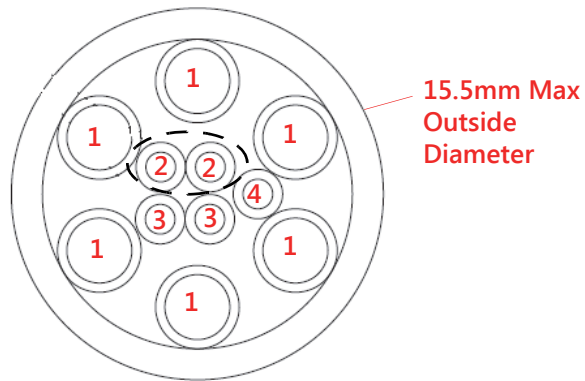
- Deutsch Connector: HDP26-24-19PE-L024
- Deutsch Pin(s): 1060-12-0166, 1060-16-144, 1060-16-0622
- Deutsch Cavity Plug: 114017
- Overmold Material: Black Techmomelt PA 6208
- The appearance of the overmold shown is for reference purposes only. The overmold may look different but the overall dimensions must fall within the specified maximum dimensions.
- The final overmold appearance and layout must be approved by Raven Industries engineering.

MOLDED TEE JUNCTION



- Overmold Material: Black Technomelt PA 6208.
- The final overmold appearance and layout must be approved by Raven Industries engineering.

MAIN TRUNK CABLE CONSTRUCTION



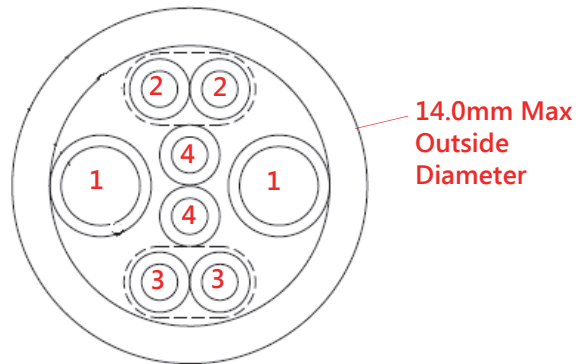
CONDUCTORS

Callout Number	Wire	Color Code	Insulation Material	Impedance
1	<ul style="list-style-type: none"> • 12 AWG • 19 Strand (Min.) • Tinned or Bare Copper 	<ul style="list-style-type: none"> • Red • Black • White • Brown • Orange • Violet 	<ul style="list-style-type: none"> • PVC or XLPE 	<ul style="list-style-type: none"> • NA
2	<ul style="list-style-type: none"> • Twisted Pair • 20 AWG • 19 Strand (Min.) • Tinned or Bare Copper 	<ul style="list-style-type: none"> • Yellow • Green 	<ul style="list-style-type: none"> • PVC or XLPE 	<ul style="list-style-type: none"> • 120 OHM +/- 10%
3	<ul style="list-style-type: none"> • Twisted Pair • 20 AWG • 19 Strand (Min.) • Tinned or Bare Copper 	<ul style="list-style-type: none"> • Red • Black 	<ul style="list-style-type: none"> • PVC or XLPE 	<ul style="list-style-type: none"> • NA
4	<ul style="list-style-type: none"> • 20 AWG • 19 Strand (Min.) • Tinned or Bare Copper 	<ul style="list-style-type: none"> • Gray 	<ul style="list-style-type: none"> • PVC or XLPE 	<ul style="list-style-type: none"> • NA

OVERALL

Component	Specification
Outer Jacket	UV Stablized Pressure Extruded Thermoplastic (Black)
Temp Rating	-60C to 105C (Static)
Max Operating Voltage	600V
Printing	Manufacturer's Discretion
Fillers	Manufacturer's Discretion

SECONDARY TRUNK CABLE CONSTRUCTION



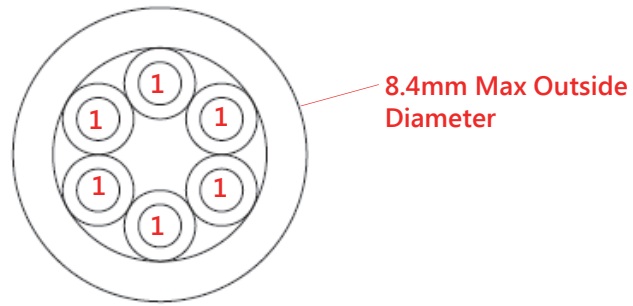
CONDUCTORS

Callout Number	Wire	Color Code	Insulation Material	Impedance
1	<ul style="list-style-type: none"> • 12 AWG • 19 Strand (Min.) • Tinned or Bare Copper (2X) 	<ul style="list-style-type: none"> • Red • Black 	<ul style="list-style-type: none"> • PVC or XLPE 	<ul style="list-style-type: none"> • NA
2	<ul style="list-style-type: none"> • Twisted Pair • 20 AWG • 19 Strand (Min.) • Tinned or Bare Copper 	<ul style="list-style-type: none"> • Yellow • Green 	<ul style="list-style-type: none"> • PVC or XLPE 	<ul style="list-style-type: none"> • 120 OHM +/- 10%
3	<ul style="list-style-type: none"> • Twisted Pair • 20 AWG • 19 Strand (Min.) • Tinned or Bare Copper 	<ul style="list-style-type: none"> • Red • Black 	<ul style="list-style-type: none"> • PVC or XLPE 	<ul style="list-style-type: none"> • 120 OHM +/- 10%
4	<ul style="list-style-type: none"> • 20 AWG • 19 Strand (Min.) • Tinned or Bare Copper (2X) 	<ul style="list-style-type: none"> • Gray • White 	<ul style="list-style-type: none"> • PVC or XLPE 	<ul style="list-style-type: none"> • NA

OVERALL

Component	Specification
Outer Jacket	UV Stablized Pressure Extruded Thermoplastic (Black)
Temp Rating	-60C to 105C (Static)
Max Operating Voltage	600V
Printing	Manufacturer's Discretion
Fillers	Manufacturer's Discretion

DROP CABLE CONSTRUCTION



CONDUCTORS

Callout Number	Wire	Color Code	Insulation Material	Impedance
1	<ul style="list-style-type: none"> • 12 AWG • 19 Strand (Min.) • Tinned or Bare Copper (6X) 	<ul style="list-style-type: none"> • Red • Black • Yellow • Green • Gray • White 	<ul style="list-style-type: none"> • PVC or XLPE 	<ul style="list-style-type: none"> • NA

OVERALL

Component	Specification
Outer Jacket	UV Stabilized Pressure Extruded Thermoplastic (Black)
Temp Rating	-60C to 105C (Static)
Max Operating Voltage	600V
Printing	Manufacturer's Discretion
Fillers	Manufacturer's Discretion
