

TYPICAL OMNIROW LEVEL II SYSTEM

JD1770NT OMNIROW LEVEL II SYSTEM, 16 ROW 30" SPACING, SECTIONAL CONTROL

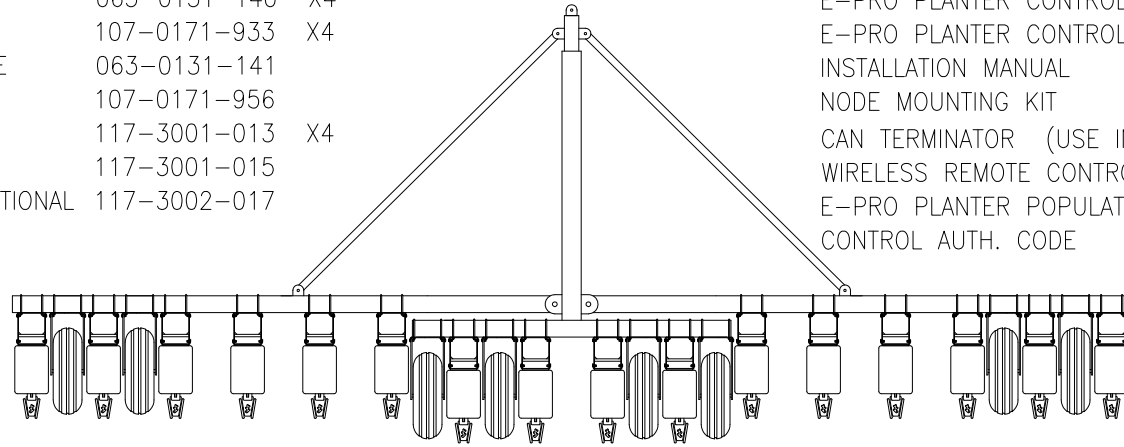
KIT P/N 117-3J16-024

HYDRAULIC COMPONENTS:

HYDRAULIC MOTOR	416-8000-001	X4
HYDRAULIC VALVE, PWM	063-0131-140	X4
PWM VALVE MOUNTING BRACKET	107-0171-933	X4
HYD. PRESSURE REDUCING VALVE	063-0131-141	
PRR VALVE MOUNTING BRACKET	107-0171-956	
HYD. MOTOR HARDWARE KIT, JD	117-3001-013	X4
PRR HARDWARE KIT, JD	117-3001-015	
HYDRAULIC KIT, JD 1770NT, SECTIONAL	117-3002-017	
ASSORTED HARDWARE		

ALSO INCLUDED IN KIT:

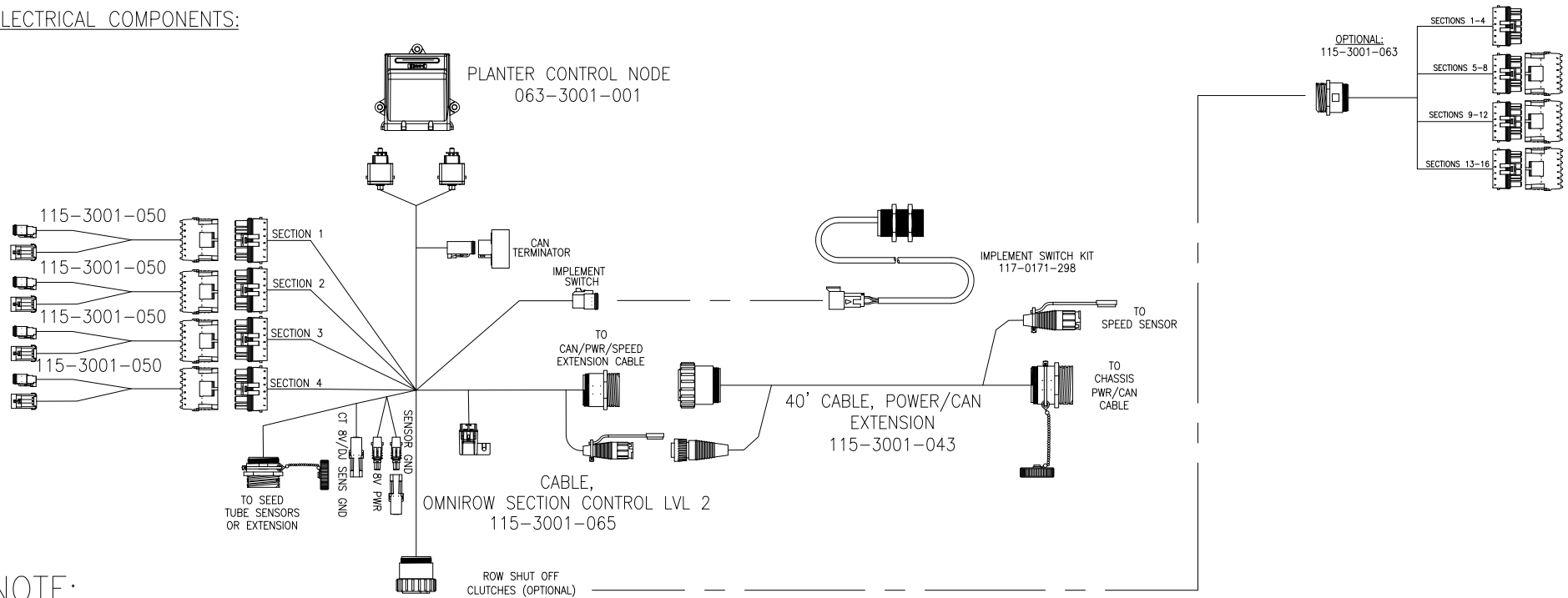
E-PRO PLANTER CONTROLS MANUAL	016-0171-405
E-PRO PLANTER CONTROLS QRG	016-0171-406
INSTALLATION MANUAL	016-3001-006
NODE MOUNTING KIT	117-0171-299
CAN TERMINATOR (USE IN CAB)	063-0172-369
WIRELESS REMOTE CONTROL	063-0173-016
E-PRO PLANTER POPULATION CONTROL AUTH. CODE	077-0180-058



OPTIONAL:

EPRO SINGLE PRODUCT VRA AUTH. CODE:	077-0180-031
-------------------------------------	--------------

ELECTRICAL COMPONENTS:



NOTE:

REFER TO DWG. 054-5000-001 FOR OTHER SYSTEM COMPONENTS.

RELEASED DATE	ECO NO.	PROD. MGR.	SERV. MGR.	PROD. CHAMP.	ENG.	DRAFT.	REV.	DRAWING NO.
5/26/11	E17536	DSP	TAC	BSG	CRS	AJK2	B	054-3J16-024
11/06/13	E21587	DSP	AT	SK	TLH	BJH	C	054-3J16-024