

# TYPICAL OMNIROW LEVEL IV SYSTEM

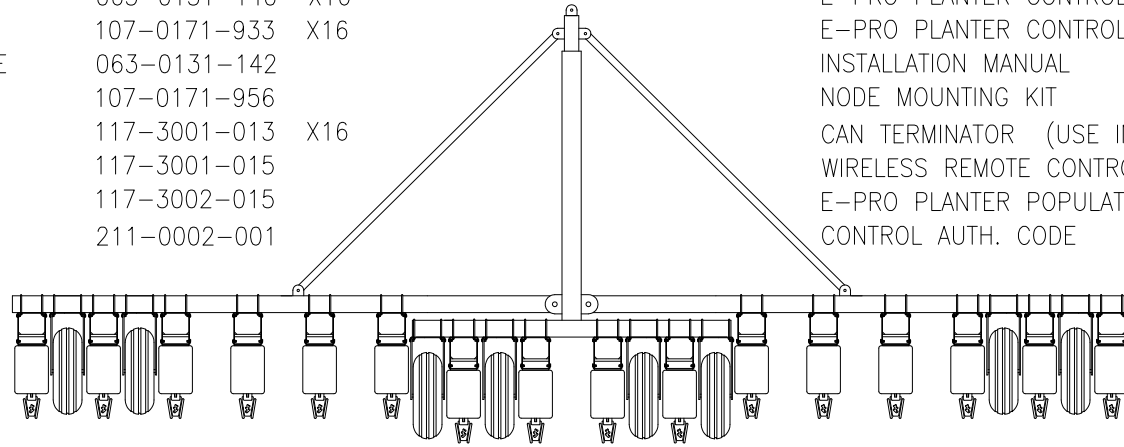
## JD1770NT OMNIROW LEVEL IV SYSTEM, 16 ROW 30" SPACING, INDIVIDUAL ROW CONTROL KIT P/N 117-3J16-021

### HYDRAULIC COMPONENTS:

HYDRAULIC MOTOR	416-8000-001	X16
HYDRAULIC VALVE, PWM	063-0131-140	X16
PWM VALVE MOUNTING BRACKET	107-0171-933	X16
HYD. PRESSURE REDUCING VALVE	063-0131-142	
PRR VALVE MOUNTING BRACKET	107-0171-956	
HYD. MOTOR HARDWARE KIT, JD	117-3001-013	X16
PRR HARDWARE KIT, JD	117-3001-015	
HYDRAULIC KIT, JD 1770NT, IRC	117-3002-015	
HEX ROD, 7/8" BLACK NYLON	211-0002-001	
ASSORTED HARDWARE		

### ALSO INCLUDED IN KIT:

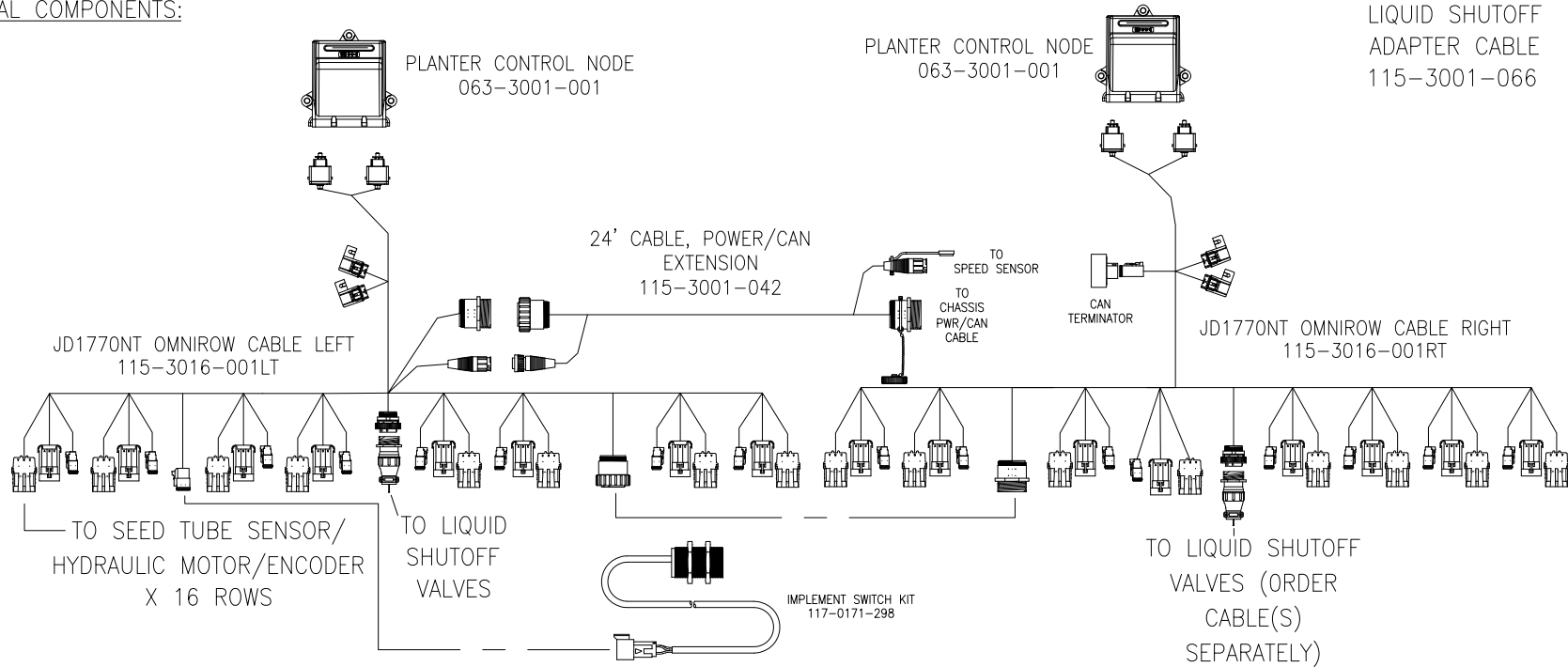
E-PRO PLANTER CONTROLS MANUAL	016-0171-405	
E-PRO PLANTER CONTROLS QRG	016-0171-406	
INSTALLATION MANUAL	016-3001-004	
NODE MOUNTING KIT	117-0171-299	X2
CAN TERMINATOR (USE IN CAB)	063-0172-369	
WIRELESS REMOTE CONTROL	063-0173-016	
E-PRO PLANTER POPULATION CONTROL AUTH. CODE	077-0180-058	



### OPTIONAL:

EPRO SINGLE PRODUCT VRA AUTH. CODE:	077-0180-031
SECTION CONTROL/ LIQUID SHUTOFF ADAPTER CABLE	115-3001-066

### ELECTRICAL COMPONENTS:



### NOTE:

REFER TO DWG. 054-5000-001 FOR OTHER SYSTEM COMPONENTS.

RELEASED DATE	ECO NO.	PROD. MGR.	SERV. MGR.	PROD. CHAMP.	ENG.	DRAFT.	REV.	DRAWING NO.
10/18/10	E16717	DSP	AT	GLE	CRS	MAP	A	054-3J16-021
5/26/11	E17536	DSP	TAC	BSG	CRS	AJK2	B	054-3J16-021