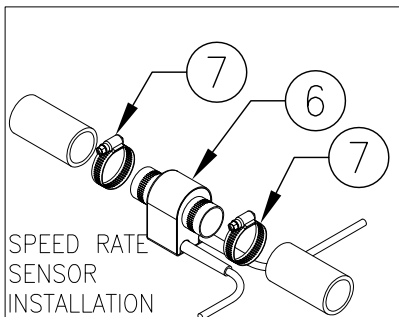
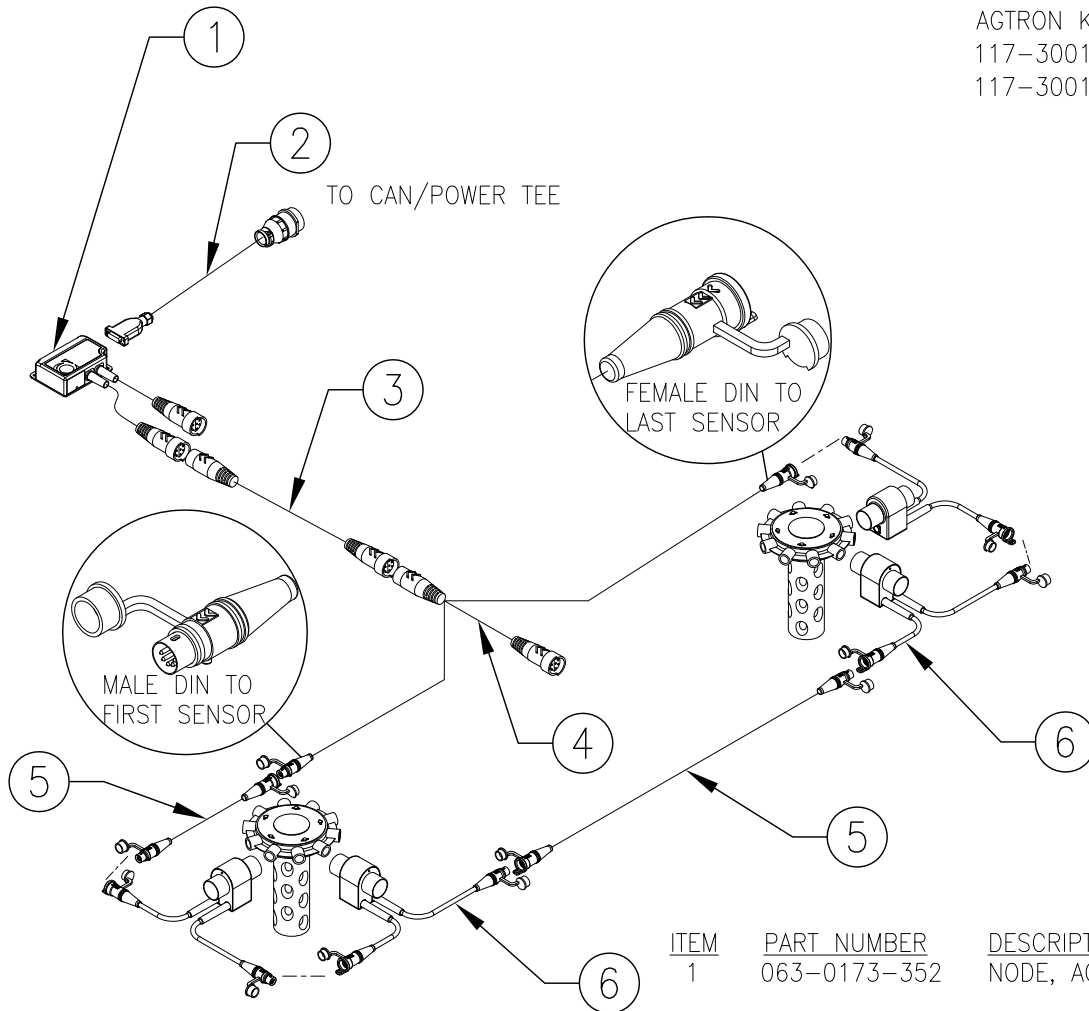


AGTRON SYSTEM DIAGRAM (LESS THAN 60 SENSORS)

AGTRON KITS:
 117-3001-023 (PRIMARY)
 117-3001-037 (SECONDARY)

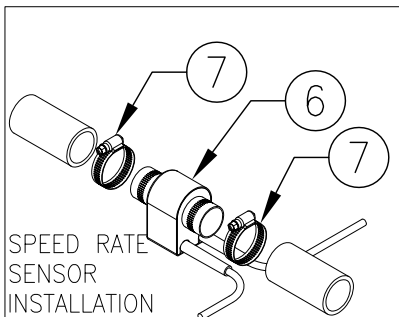
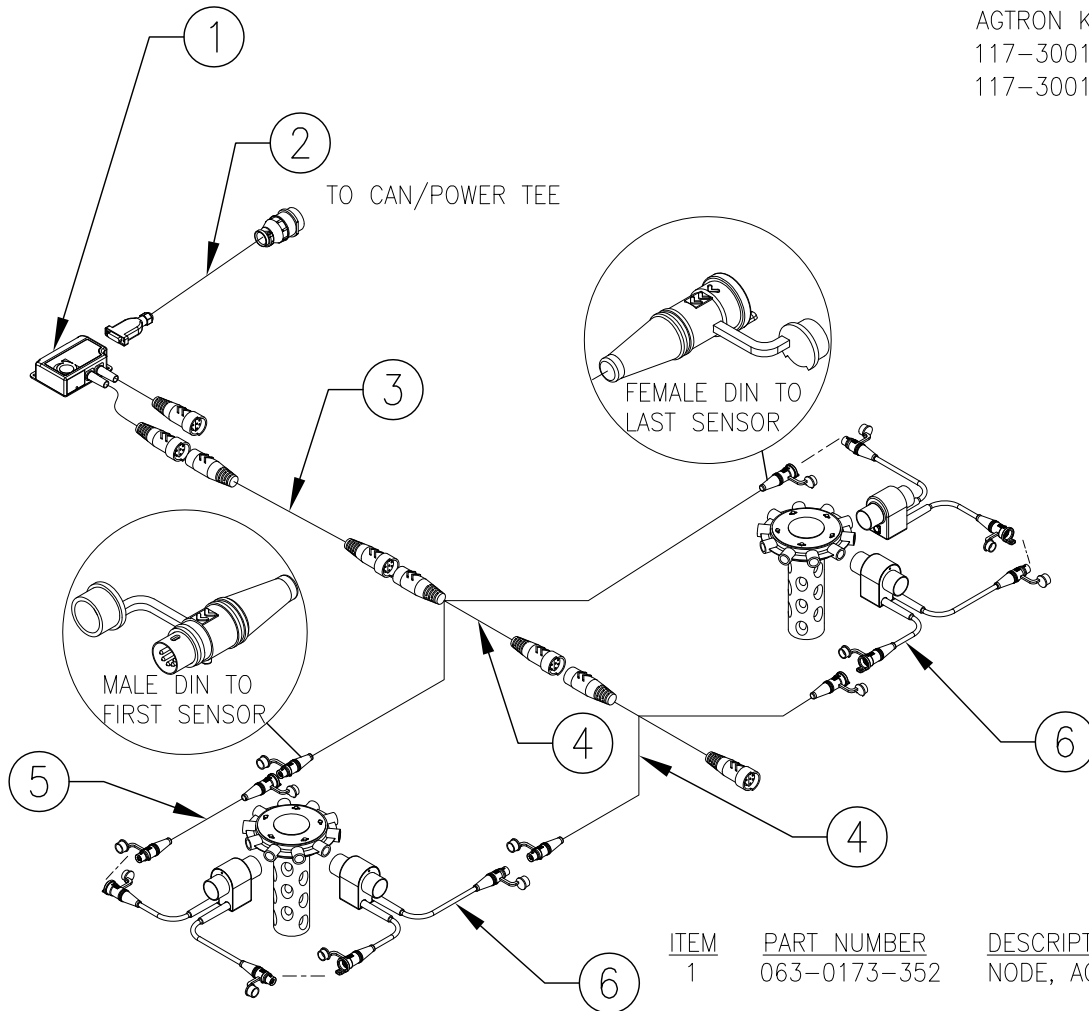


ITEM	PART NUMBER	DESCRIPTION
1	063-0173-352	NODE, AGTRON, BLOCKAGE
2	115-3001-102	CABLE, AGTRON, NODE
3	115-3001-095	CABLE, AGTRON, EXTENSION, 10'
	115-3001-096	CABLE, AGTRON, EXTENSION, 20'
4	115-3001-097	CABLE, AGTRON Y CABLE
5	115-3001-098	CABLE, AGTRON, SENSOR LOOP, 2'
	115-3001-099	CALBE, AGTRON, SENSOR LOOP, 4'
	115-3001-100	CABLE, AGTRON, SENSOR LOOP, 10'
	115-3001-101	CABLE, AGTRON, SENSOR LOOP, 20'
6	422-0000-102	SENSOR, AGTRON, SEED RATE, 1.00"
	422-0000-103	SENSOR, AGTRON, SEED RATE, 1.25"
	422-0000-104	SENSOR, AGTRON, SEED RATE, 7/8"
	422-0000-105	SENSOR, AGTRON, SEED RATE, 15/16"
7	435-3003-004	CLAMPS, WORM DRIVE, HOSE STAINLESS STEEL

RELEASED DATE	ECO NO.	PROD. MGR.	SERV.	PROD. CHAMP.	ENG.	DRAFT.	REV.	DRAWING NO.
8/22/11	E17981	DSP2	AT	BSG	BAD	JJP	A	054-5002-002

AGTRON SYSTEM DIAGRAM (MORE THAN 60 SENSORS)

AGTRON KITS:
 117-3001-023 (PRIMARY)
 117-3001-037 (SECONDARY)



ITEM	PART NUMBER	DESCRIPTION
1	063-0173-352	NODE, AGTRON, BLOCKAGE
2	115-3001-102	CABLE, AGTRON, NODE
3	115-3001-095 115-3001-096	CABLE, AGTRON, EXTENSION, 10' CABLE, AGTRON, EXTENSION, 20'
4	115-3001-097	CABLE, AGTRON Y CABLE
5	115-3001-098 115-3001-099 115-3001-100 115-3001-101	CABLE, AGTRON, SENSOR LOOP, 2' CALBE, AGTRON, SENSOR LOOP, 4' CABLE, AGTRON, SENSOR LOOP, 10' CABLE, AGTRON, SENSOR LOOP, 20'
6	422-0000-102 422-0000-103 422-0000-104 422-0000-105	SENSOR, AGTRON, SEED RATE, 1.00" SENSOR, AGTRON, SEED RATE, 1.25" SENSOR, AGTRON, SEED RATE, 7/8" SENSOR, AGTRON, SEED RATE, 15/16"
7	435-3003-004	CLAMPS, WORM DRIVE, HOSE STAINLESS STEEL

RELEASED DATE	ECO NO.	PROD. MGR.	SERV.	PROD. CHAMP.	ENG.	DRAFT.	REV.	DRAWING NO.
8/22/11	E17981	DSP2	AT	BSG	BAD	JJP	A	054-5002-002