

# OMNISEED HYDRAULIC INSTALL SCHEMATIC (THREE BIN SYSTEM SHOWN)

BEFORE MOUNTING THE OMNISEED HYDRAULIC COMPONENTS, INSTALL THE PROPER FITTINGS ACCORDING TO THE TABLES BELOW. THIS AIDS WITH INSTALLATION AND MOUNTING OF THE COMPONENTS AND SIMPLIFIES HOSE CONNECTIONS.



PWM VALVE 083-0131-144			
FITTING	TO -6 JIC (M)	STRAIGHT ADAPTER	PORT 1, 2
FITTING	-6 SAE O-RING (M)	PLUG	PORT 3



DISTRIBUTION MANIFOLD 334-0002-168			
FITTING	-6 SAE O-RING (M)	TO -6 JIC (M)	STRAIGHT ADAPTER
FITTING	-6 SAE O-RING (M)	PLUS	END PORT
FITTING	-8 SAE O-RING (M)	TO -8 JIC (M)	STRAIGHT ADAPTER
FITTING	-8 SAE O-RING (M)	PLUS	END PORT

SEE NOTE 5

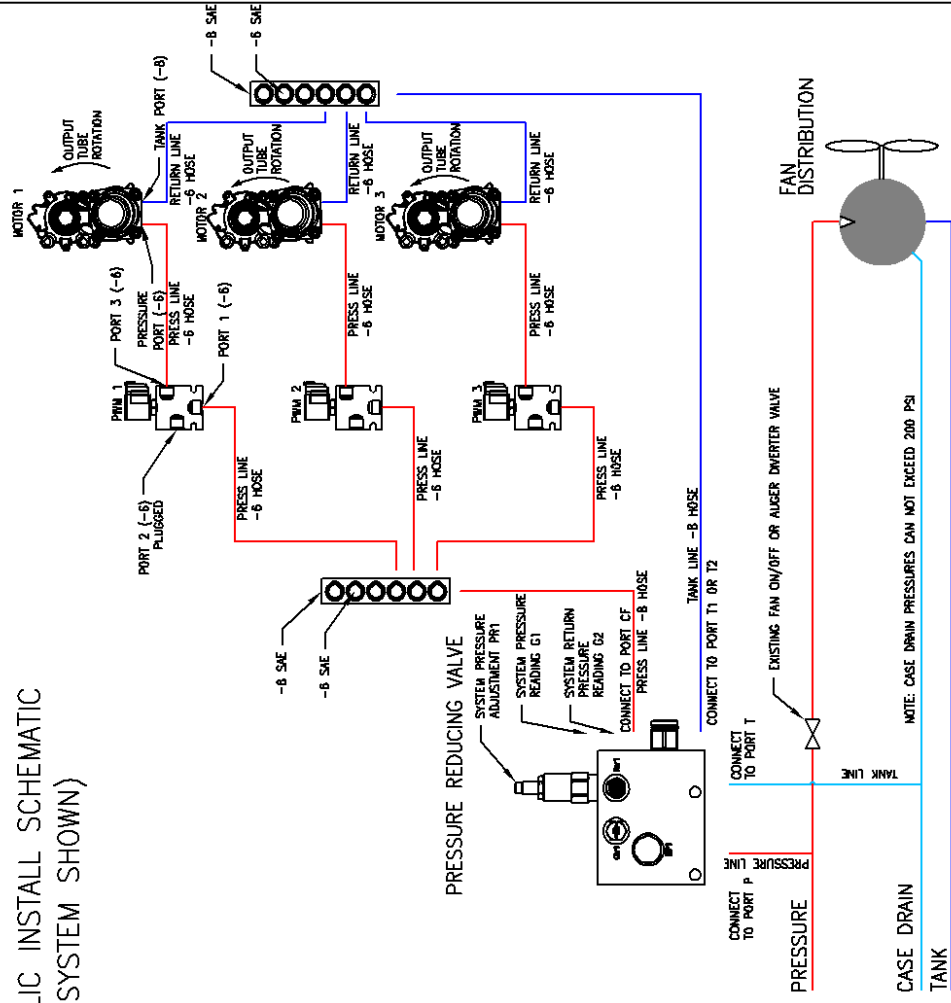


HYDRAULIC MOTOR 416-8000-001			
FITTING	-6 SAE O-RING (M)	TO -6 JIC (M)	STRAIGHT ADAPTER
FITTING	-6 SAE O-RING (M)	TO -6 JIC (M)	STRAIGHT ADAPTER



PRESSURE REDUCING VALVE 083-0131-141			
FITTING	-10 JIC (M)	TO -10 SAE O-RING (M)	STRAIGHT ADAPTER
FITTING	-4 SAE O-RING (M)	TO MALE DOWNSHIFT NIPPLE	HYDRAULIC
FITTING	-8 JIC (M)	TO -8 SAE O-RING (M)	PLUS
FITTING	-8 SAE O-RING (M)	TO -8 SAE O-RING (M)	PLUS
FITTING	-8 SAE O-RING (M)	TO -8 SAE O-RING (M)	PLUS

SEE NOTES 1-2



### NOTES:

1. SYSTEM PRESSURES CAN BE MONITORED VIA THE G1 (PRESSURE) AND G2 (TANK) PORTS ON THE PRESSURE REDUCING VALVE. MAX. SYSTEM PRESSURE TO MOTORS NOT TO EXCEED 1500 PSI.
2. TO ADJUST SYSTEM PRESSURE, USE PRESSURE TESTING KIT 117-3001-018 AND TEE IN BETWEEN THE PWM PORT 3 AND PRESSURE SIDE OF MOTOR. ADJUST THE PRESSURE OF THE SYSTEM ON PRT PORT OF THE PRESSURE REDUCING VALVE 083-0131-141 TO 200-300 PSI ABOVE PRESSURE TO MOTOR. HYDRAULIC HOSES TO WITHSTAND 3000 PSI.
3. CASE DRAIN LINE NOT TO EXCEED 200 PSI PRESSURE.
4. HYDRAULIC DISTRIBUTION MANIFOLD 334-0002-168 ONLY OFFERED IN 3-5 BIN GENERIC KITS. 1-2 BIN GENERIC KITS USE FITTINGS. DISTRIBUTION MANIFOLD CAN BE REPLACED WITH FITTINGS. (FITTINGS NOT SUPPLIED IN KIT)