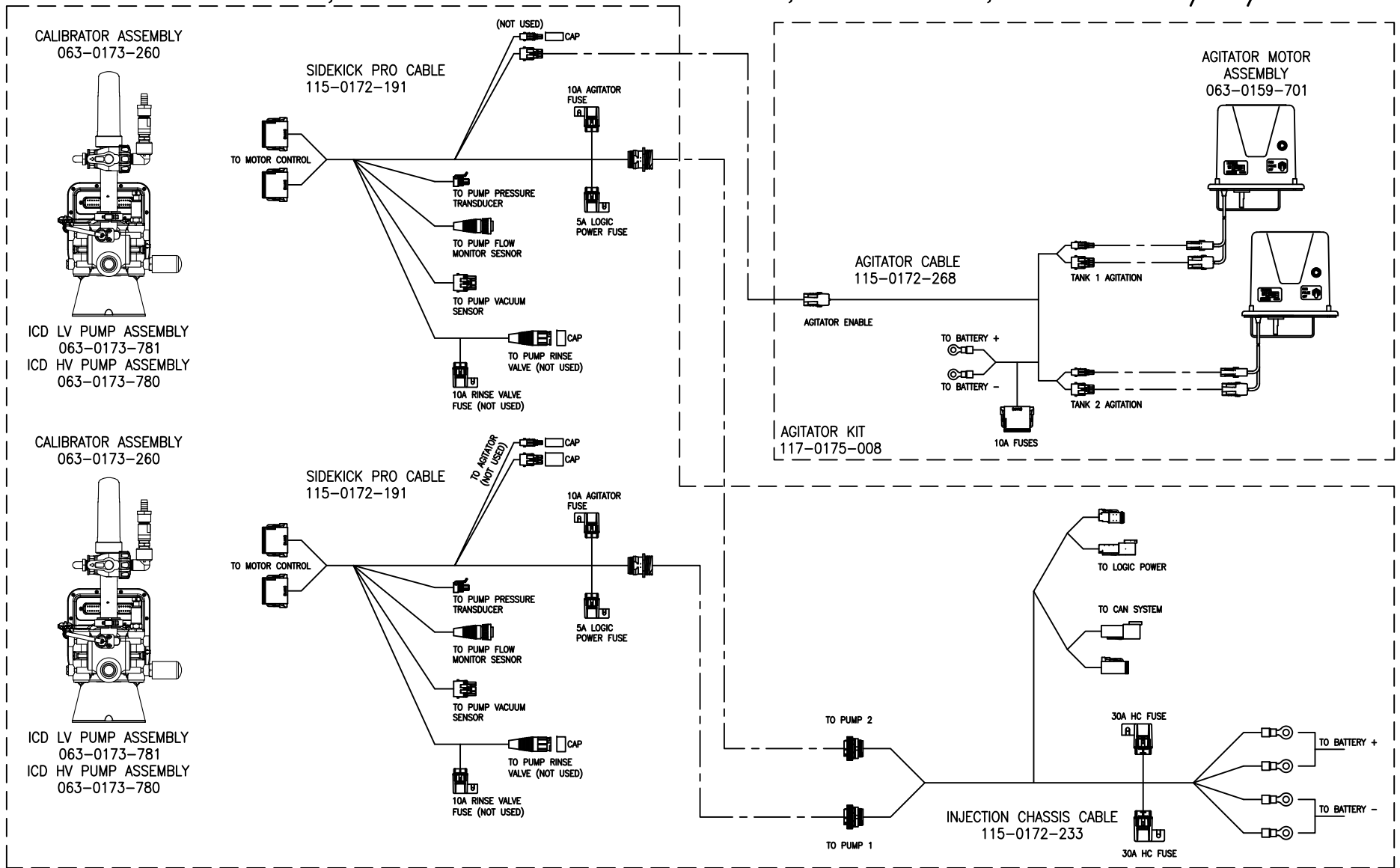


SYSTEM DRAWING, ICD SIDEKICK PRO INJECTION, DUAL PUMP, CASE IH 32/33/44xx

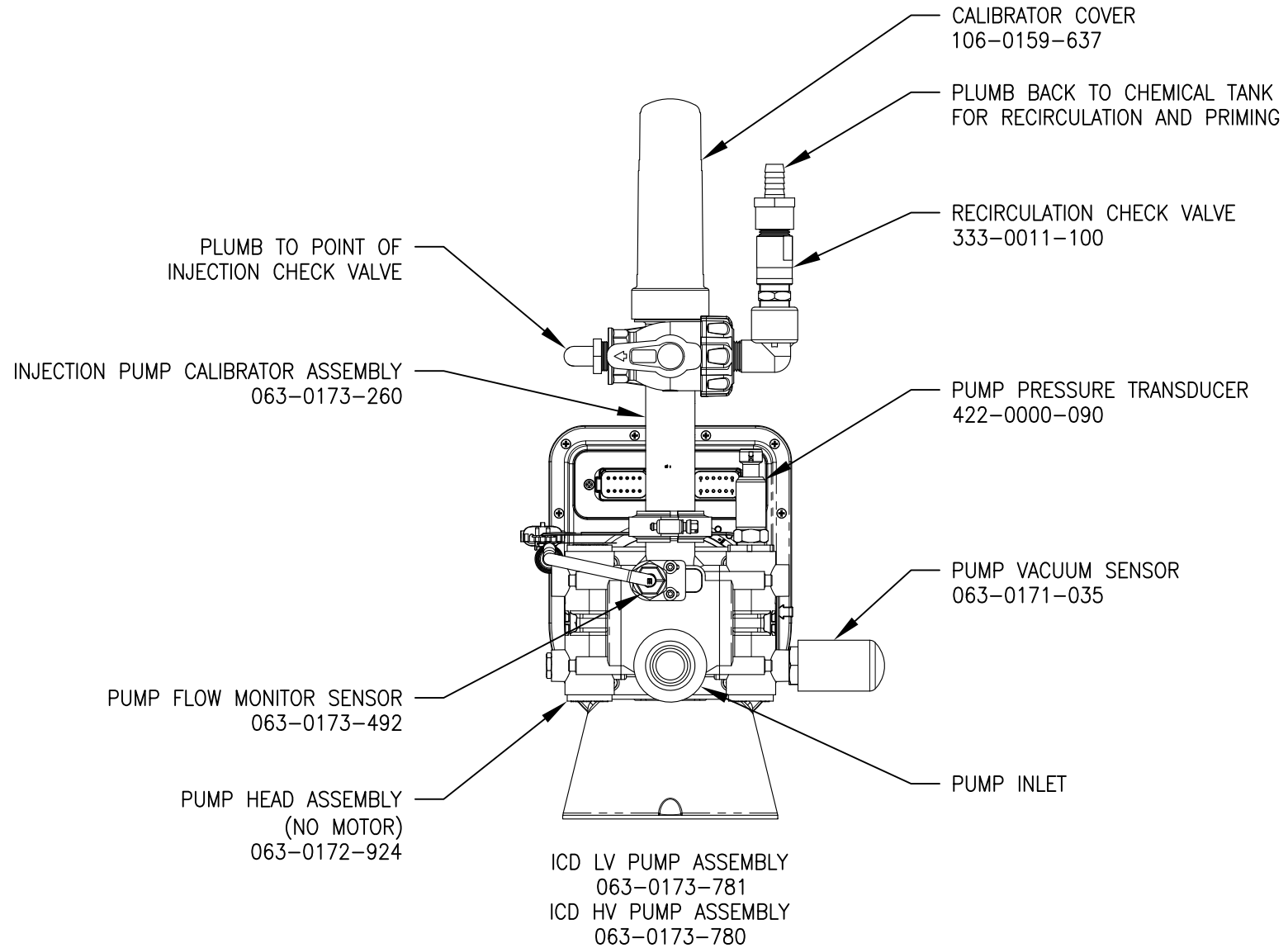


32/33XX MY09-17, 44XX MY09-16 KITS
 117-0175-022: DUAL HV PUMP
 117-0175-024: SINGLE TO DUAL HV PUMP
 117-0175-026: DUAL LV PUMP
 117-0175-028: SINGLE TO DUAL LV PUMP

MY17 4XXX KITS
 117-0175-029: DUAL HV PUMP
 117-0175-031: DUAL LV PUMP

RELEASED DATE	ECO #	REV.	DRAWING NO.
3/28/17	29297	A	054-7120-002
12/31/18	32447	B	054-7120-002

DIRECT CHEMICAL INJECTION PUMP

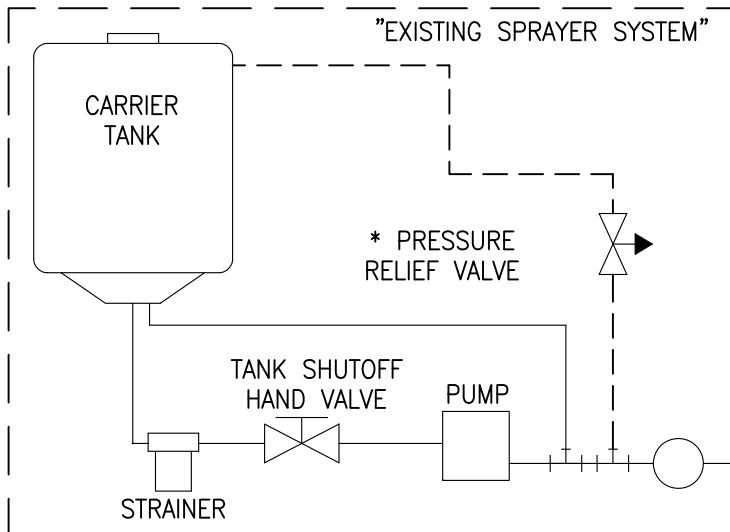
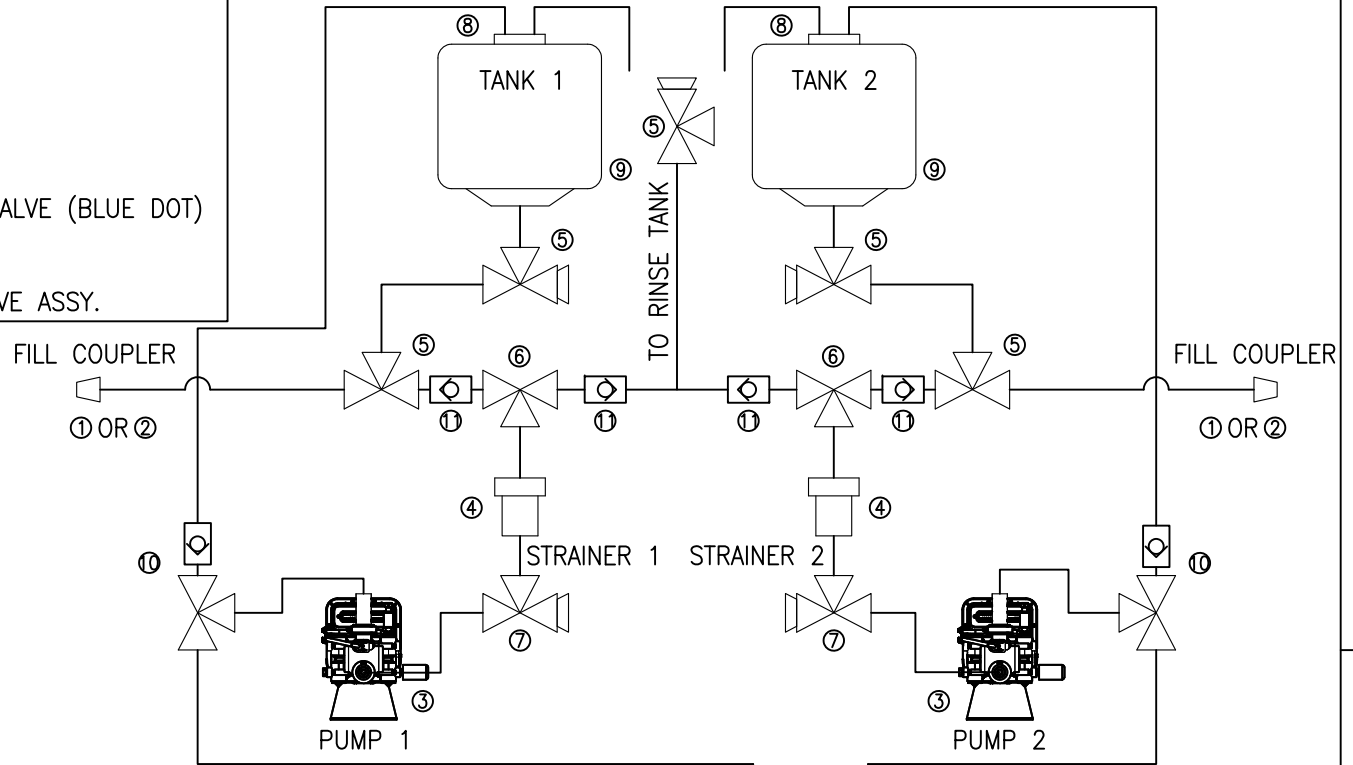


RELEASED DATE	ECO #	REV.	DRAWING NO.
3/28/17	29297	A	054-7120-002
12/31/18	32447	B	054-7120-002

PARTS LIST:

1. 333-0006-036 FILL COUPLER (M)
2. 333-0006-035 FILL COUPLER (F)
3. 063-0173-558 INJECTION PUMP
4. 333-9000-060 STRAINER
5. 334-0001-068 3/4" NPT VALVE
6. 334-0001-037 1/2" NPT VALVE
7. 334-0001-054 1/2" NPT CONT. FLOW VALVE (BLUE DOT)
8. 118-0159-043 TANK LID
9. 118-0159-059 50 GAL TANK
10. 063-0173-260 CALIBRATOR/ CHECK VALVE ASSY.
11. 333-0011-107 CHECK VALVE
12. 333-0011-102 CHECK VALVE

PLUMBING DIAGRAM



3" CHECK VALVE
333-0011-105

INLINE MIXER WITH CARRIER CHECK VALVE

3" MIXER - 063-0173-698

4" MIXER - 063-0173-699 / IN 117-0175-007, HIGHFLOW KIT

RELEASED DATE	ECO #	REV.	DRAWING NO.
3/28/17	29297	A	054-7120-002
12/31/18	32447	B	054-7120-002