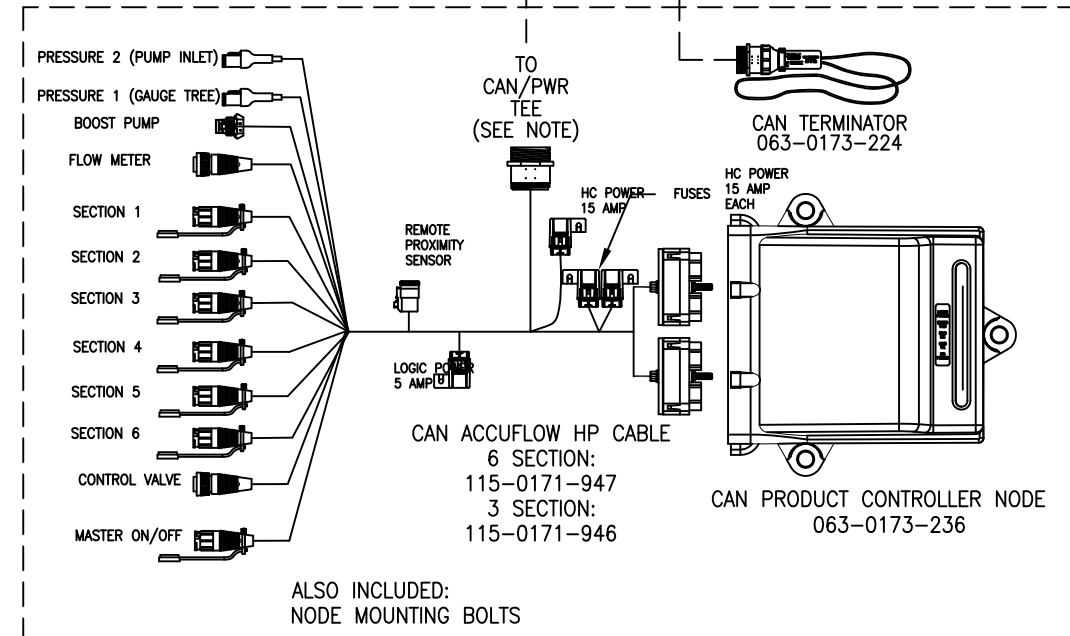
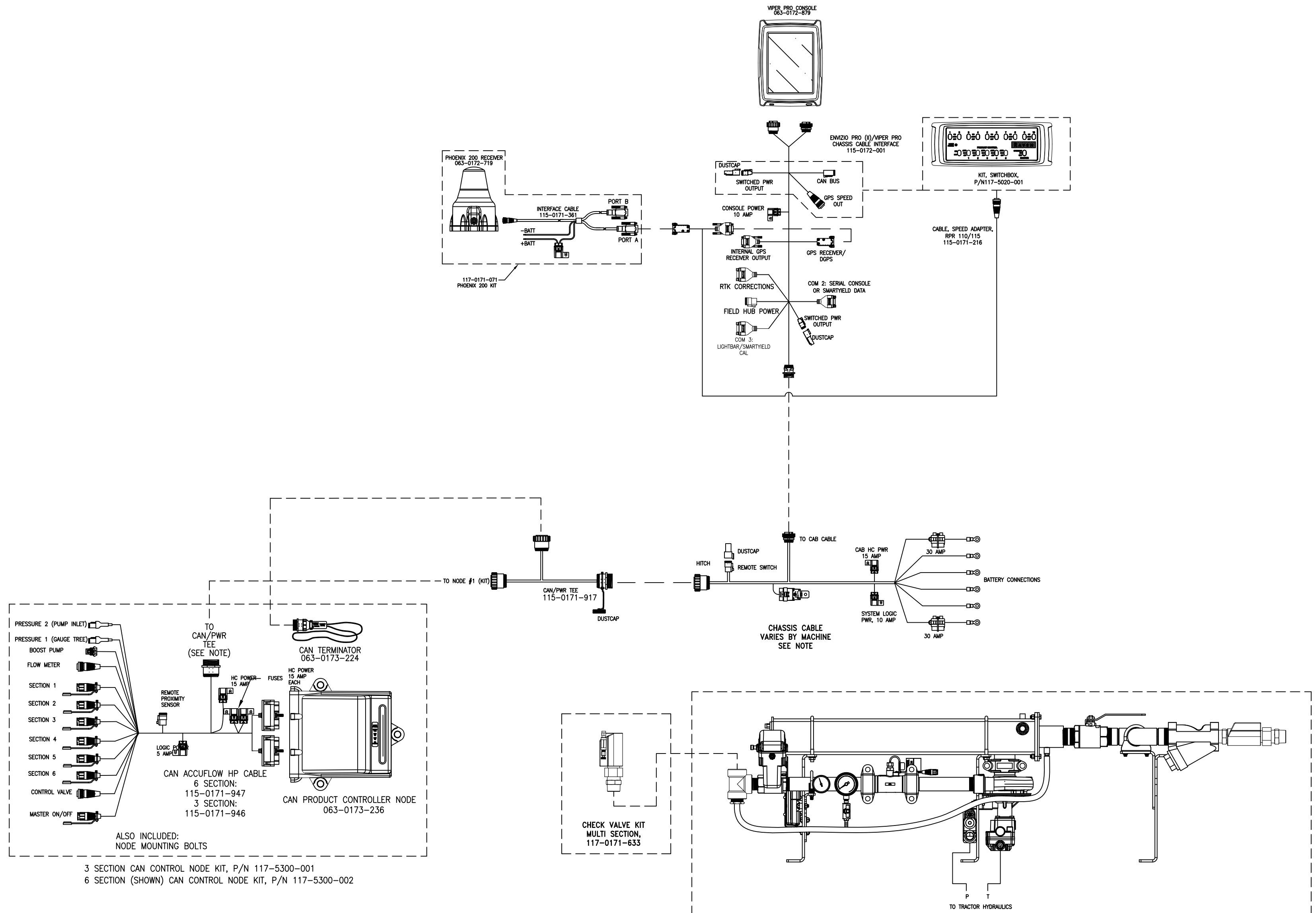


# ACCUFLOW VORTEX AND HP+ SYSTEM DIAGRAM



3 SECTION CAN CONTROL NODE KIT, P/N 117-5300-001  
 6 SECTION (SHOWN) CAN CONTROL NODE KIT, P/N 117-5300-002

ALSO INCLUDED:  
 NODE MOUNTING BOLTS

ON/OFF VALVE EXTENSION CABLES: (OPTIONAL)  
 6': 115-0171-832  
 12': 115-0171-833  
 24': 115-0171-834

\*\*VAPOR TUBES SOLD SEPARATELY\*\*  
 3/4" - 117-0171-409 (2 TUBE KIT)

**Optional:**

PROXIMITY SENSOR KIT  
 117-0171-298  
 PROX SENSOR EXTENSION  
 CABLE, 20'  
 115-0171-501

KIT, HP+ FAST VALVE  
 117-0171-571  
 KIT, VORTEX FAST VALVE  
 117-0171-573  
 KIT, VORTEX DUAL VALVE  
 117-0171-574  
 KIT, PUMP UPGRADE, HP+  
 117-0171-575  
 PUMP SEAL KIT  
 117-0171-577  
 PUMP HYDRAULIC MOTOR KIT  
 117-0171-576

**NOTE:**  
 REFER TO DWG. 054-5000-001 FOR OTHER SYSTEM COMPONENTS.

RELEASED DATE	ECO NO.	PROD. MGR.	SERV.	PROD. CHAMP.	ENG.	DRAFT.	REV.	DRAWING NO.
1/6/15	24208	GLE	-	DLG	SSJ	RRS	B	054-5300-004
4/18/16	27701	NGL	CCR	-	SSJ	RRS	C	054-5300-004