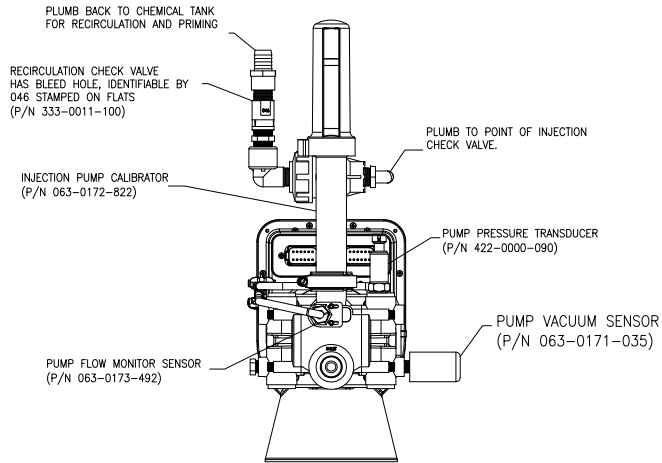
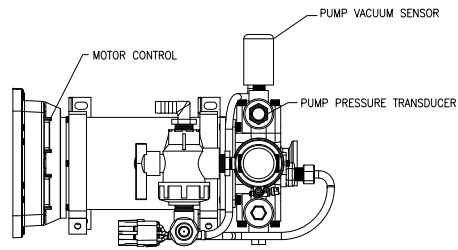
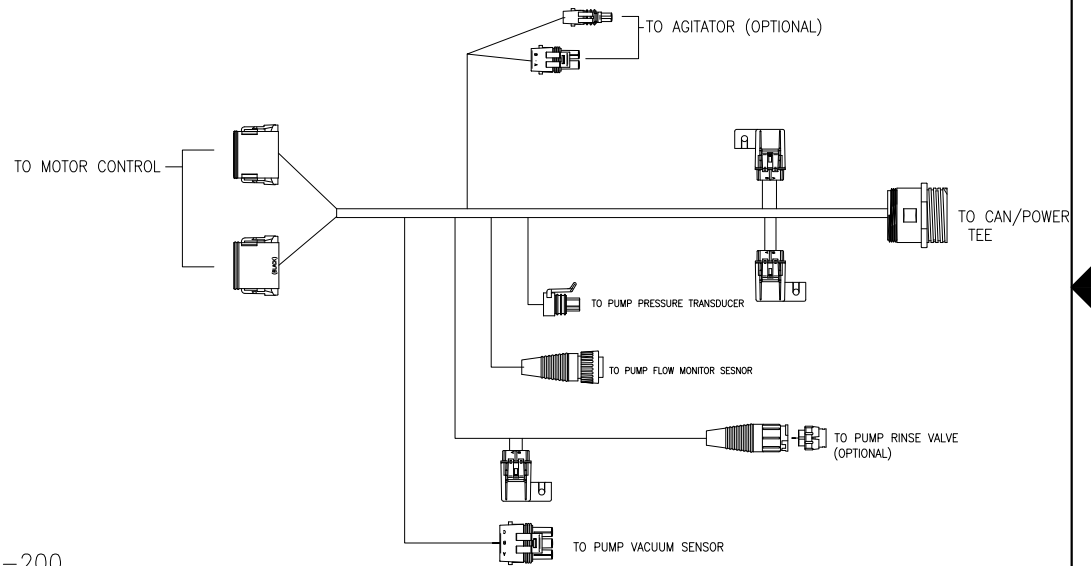


# SIDEKICK PRO, CAN, DIRECT CHEMICAL INJECTION



Select One (1) Motor Control Cable for each Pump/Module Kit:

115-0172-191



Select Pump/Module Kit:

- 1) Kit, Injection w/Calibrator, 5-200 oz/min: 063-0173-200
- 2) Kit, Injection w/Calibrator, 1-40 oz/min: 063-0173-201
- 3) Kit, Injection Module w/Calibrator, 24 Gal, 5-200 oz/min: 063-0173-213
- 4) Kit, Injection Module w/Calibrator, 24 Gal, 1-40 oz/min: 063-0173-212

## NOTE:

REFER TO DWG. 054-5000-001 FOR OTHER SYSTEM COMPONENTS.

RELEASED DATE	ECO NO.	PROD. MGR.	SERV. MGR.	PROD. CHAMP.	ENG.	DRAFT.	REV.	DRAWING NO.
10/18/10	E16352	JAB	AT	GLE	NAP	MAP	A	054-5120-001
5/19/14	E23219	GLE	AT	JCS	NAP	JJP	B	054-5120-001