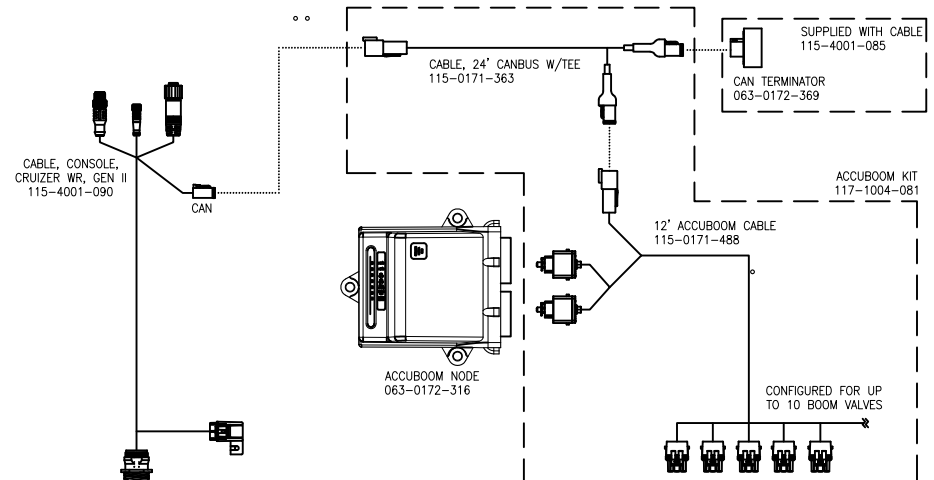
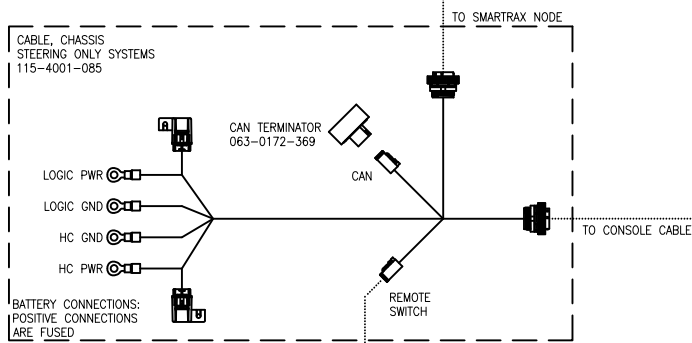
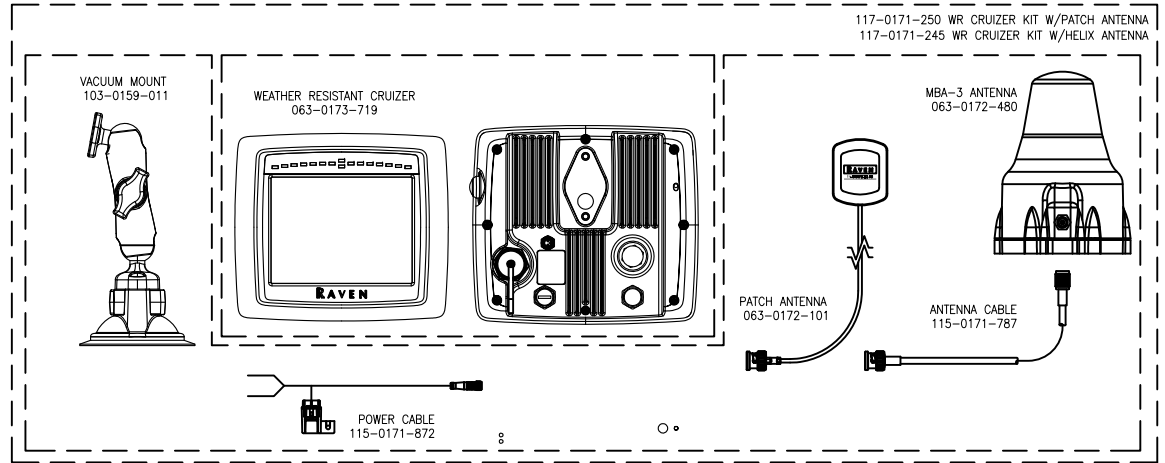
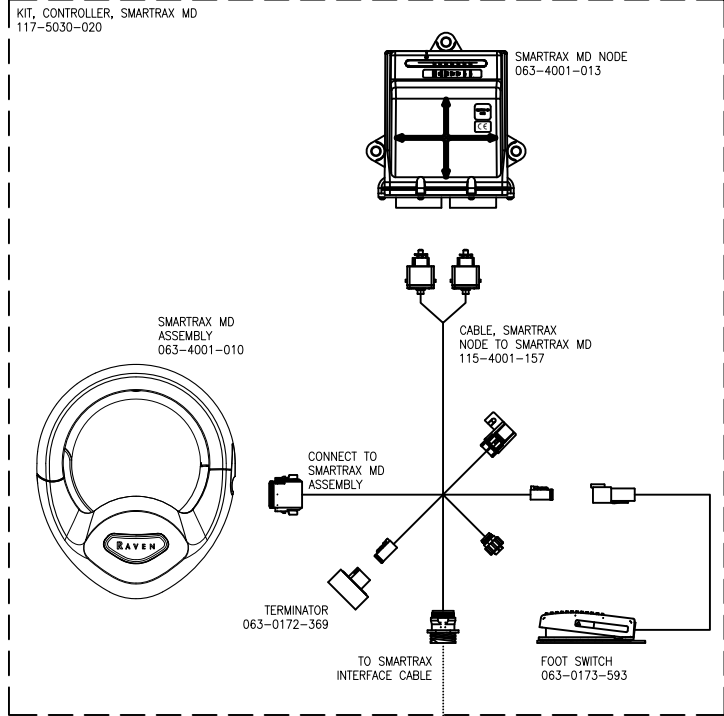


WEATHER RESISTANT CRUIZER WITH SMARTRAX MD/ACCUBOOM



ACCUBOOM VALVES
1 SECTION: 063-0171-926
3 SECTION: 063-0171-928
5 SECTION: 063-0172-039

RELEASED DATE	ECO NO.	PROD. MGR.	SERV. MGR.	PROD. CHAMP.	ENG.	DRAFT.	REV.	DRAWING NO.
10/20/14	23871	NDM	-	SAH	CRM	RRS	A	054-2280-005