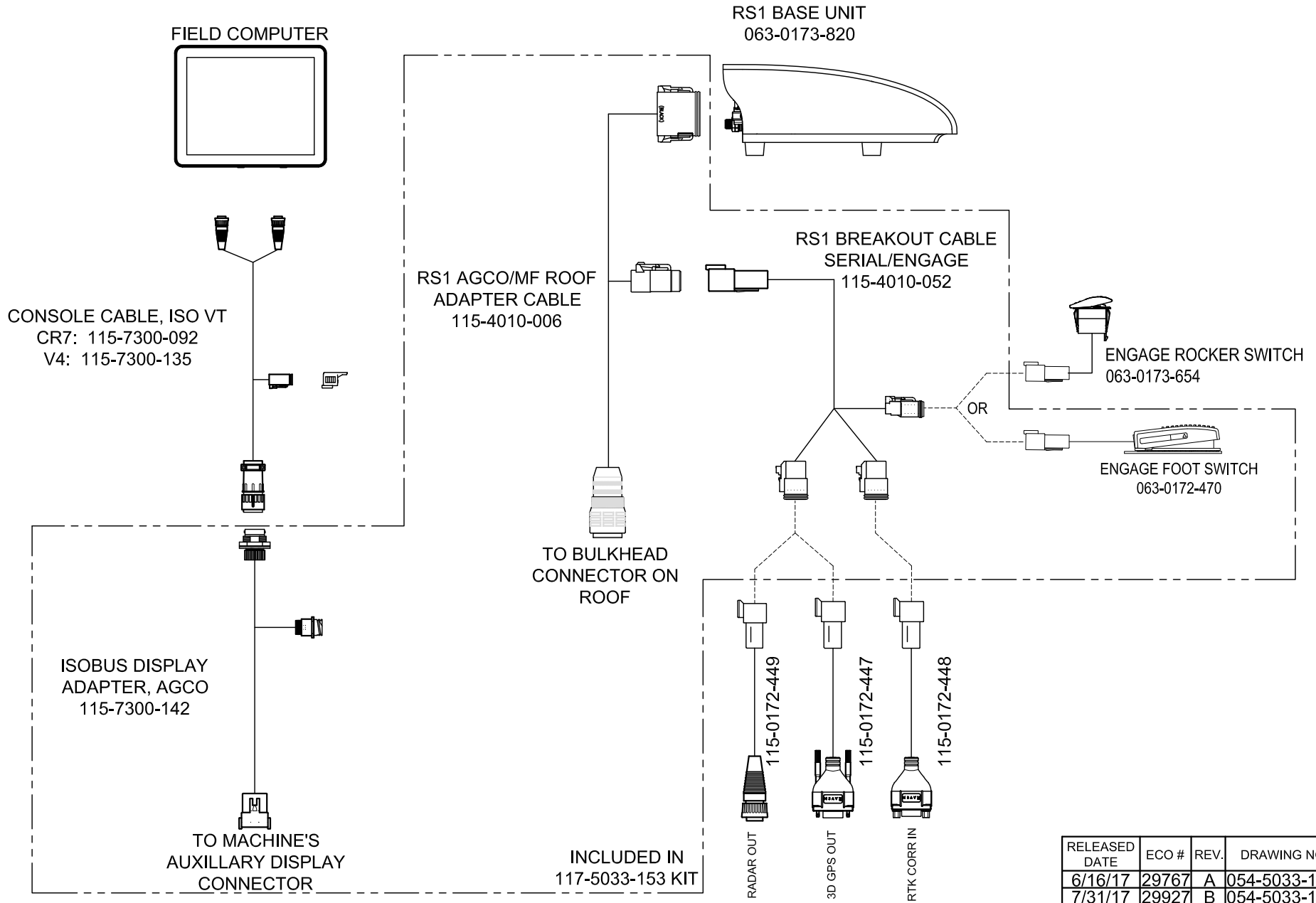


RS1 CHALLENGER MT6X5C/D/E MASSEY FERGUSON 86X0/87XX



RELEASED DATE	ECO #	REV.	DRAWING NO.
6/16/17	29767	A	054-5033-153
7/31/17	29927	B	054-5033-153