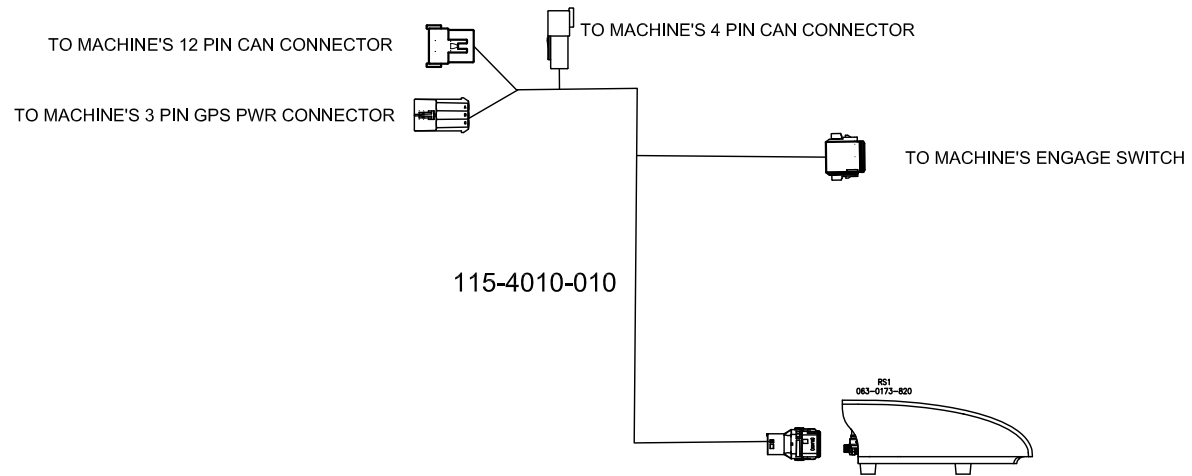
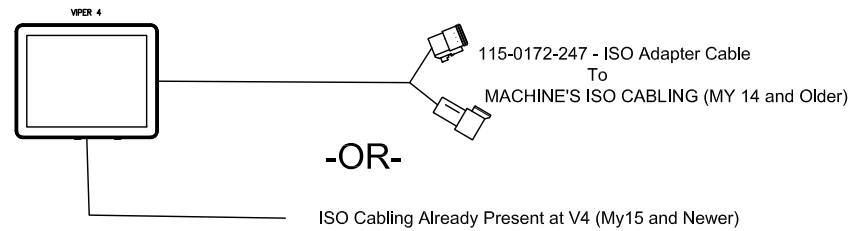


# V4- RS1 Rogator B Series Installation



| RELEASED DATE | ECO # | REV. | DRAWING NO.  |
|---------------|-------|------|--------------|
| 6/16/17       | 29768 | A    | 054-5033-150 |