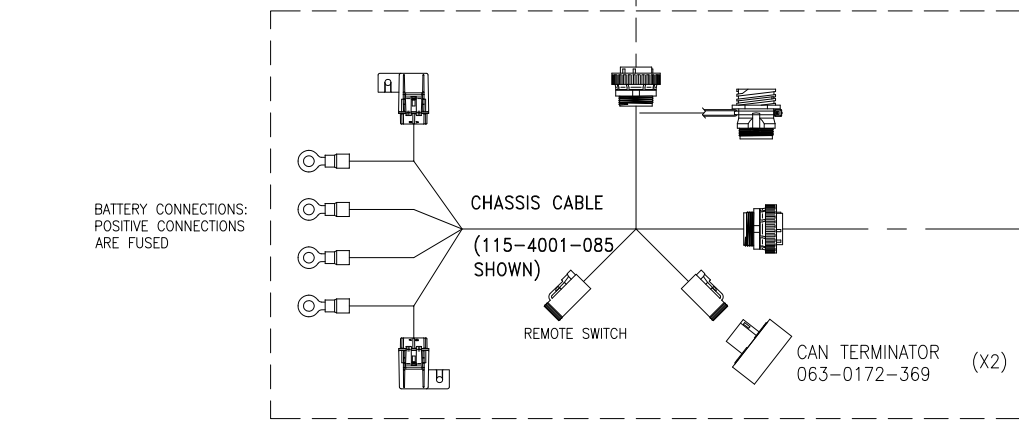
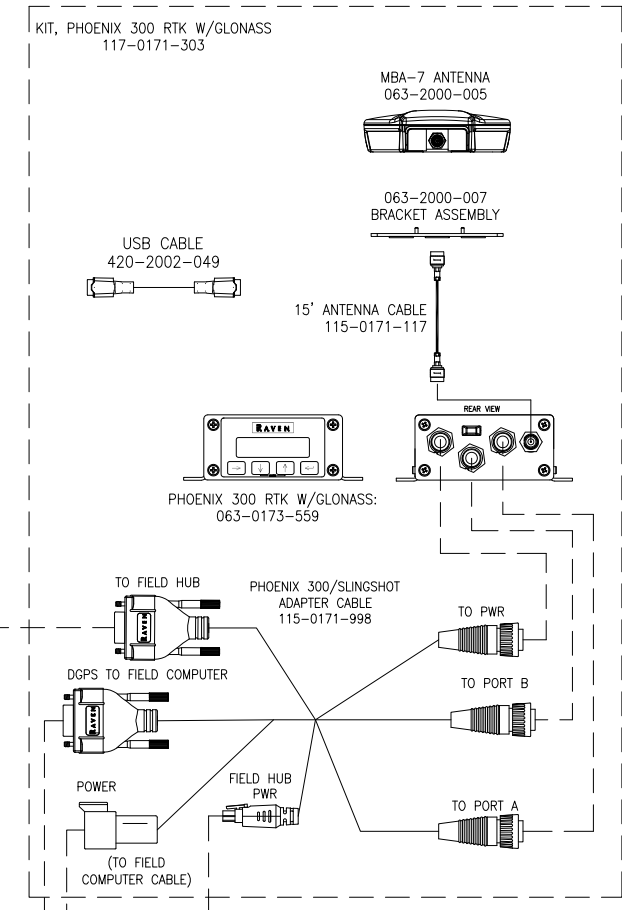
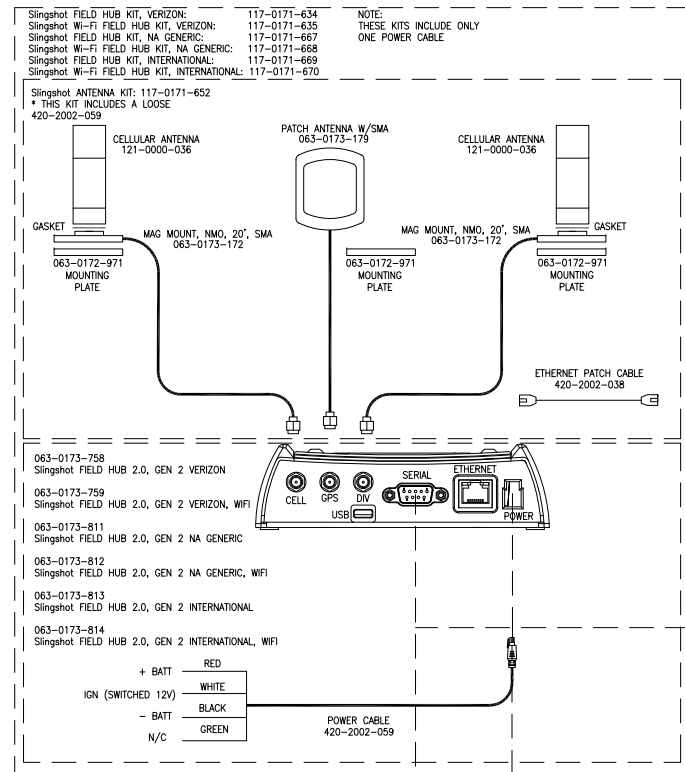
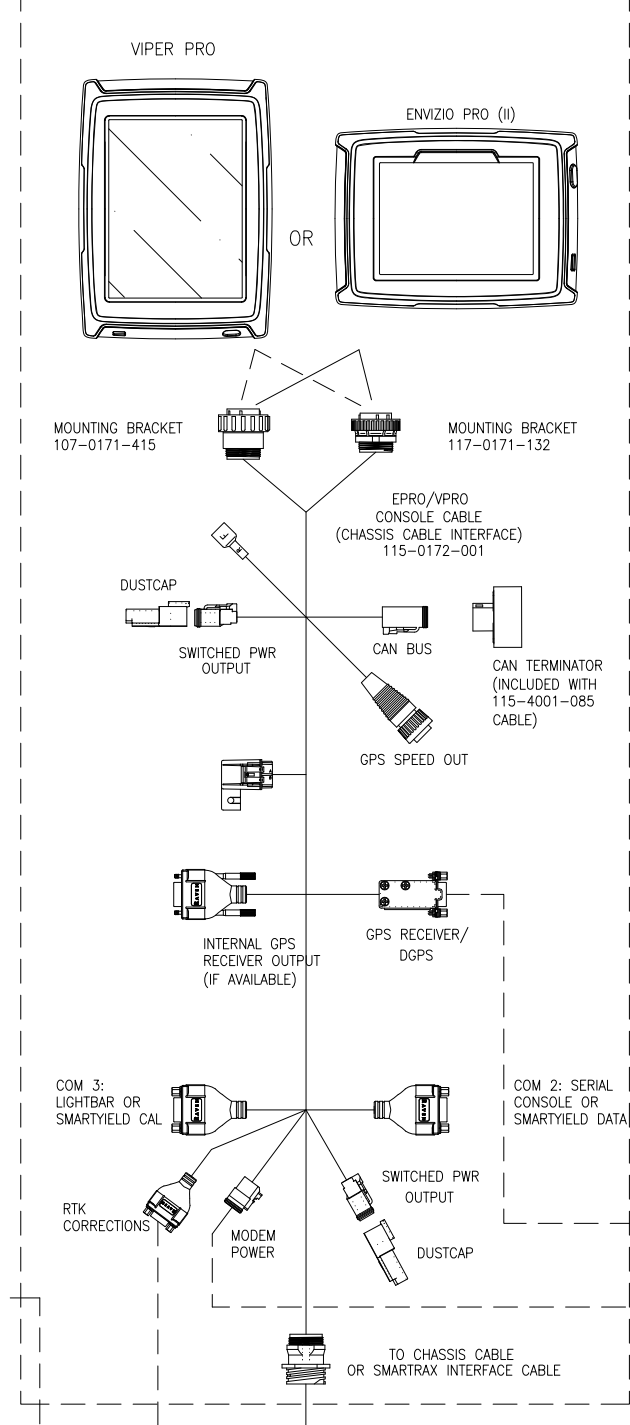
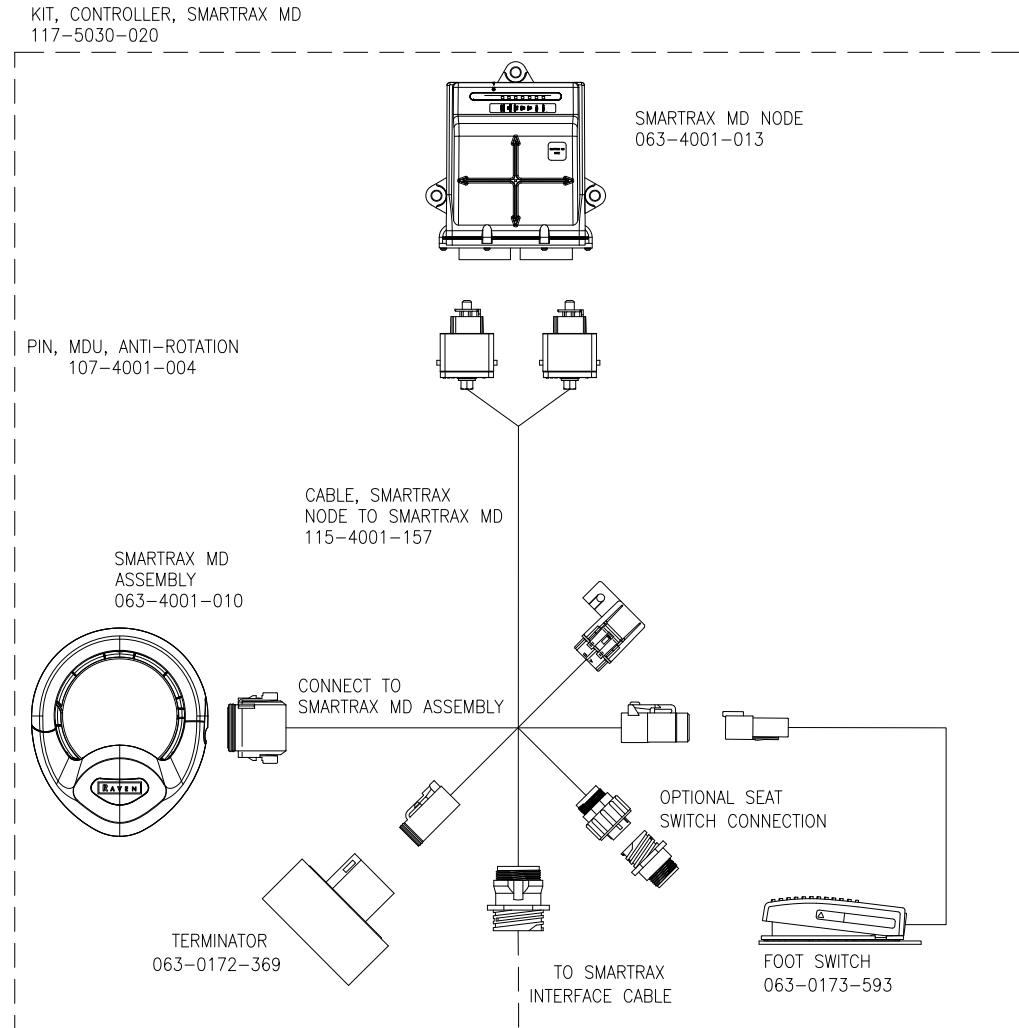


ENVIZIO PRO/VIPER PRO SmarTrax MDU W/SLINGSHOT



RELEASED DATE	ECO NO.	PROD. MGR.	SERV.	PROD. CHAMP.	ENG.	DRAFT.	REV.	DRAWING NO.
6/23/15	E24431	TPH	-	AT	CRM	JJP	B	054-3010-035
6/6/17	E29230	-	BCN	-	NAD2	JJP	C	054-3010-035