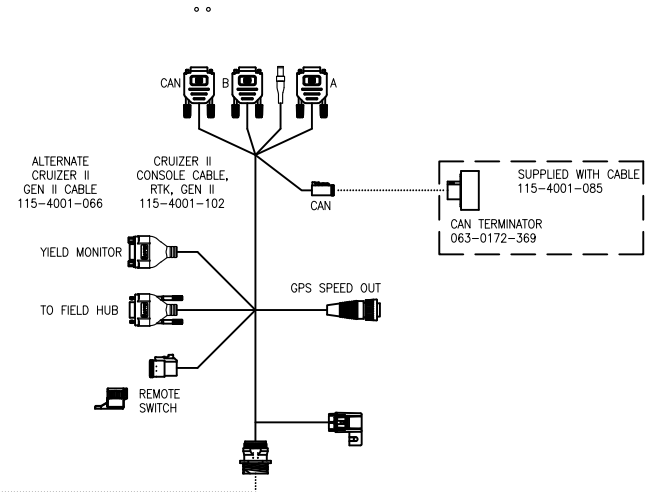
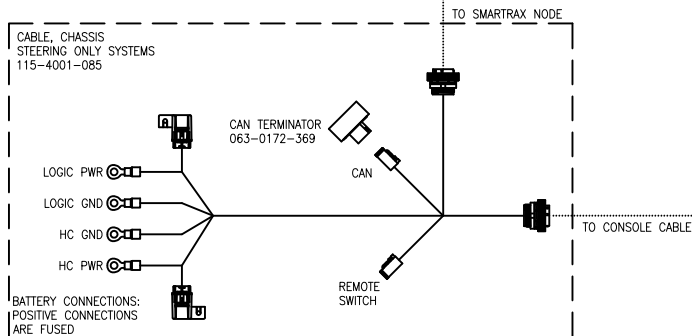
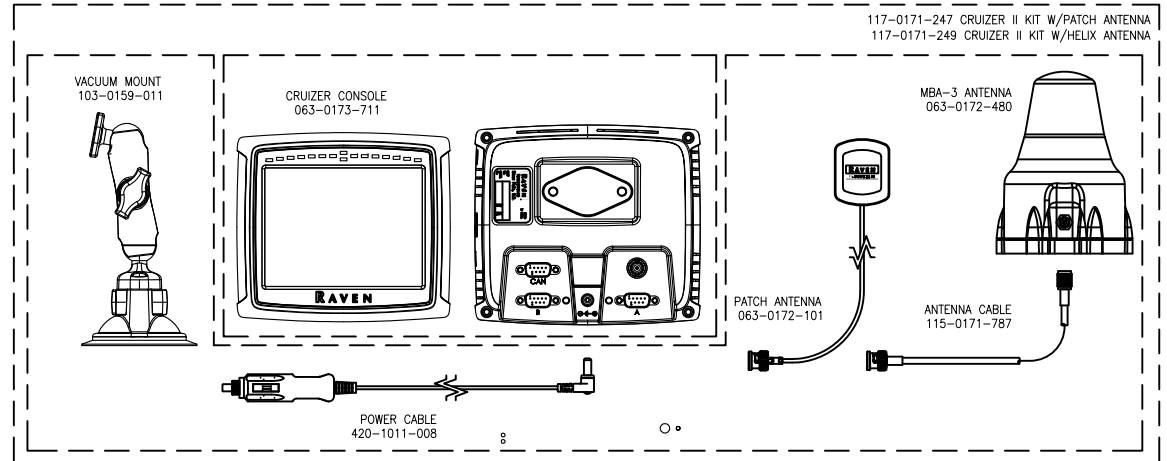
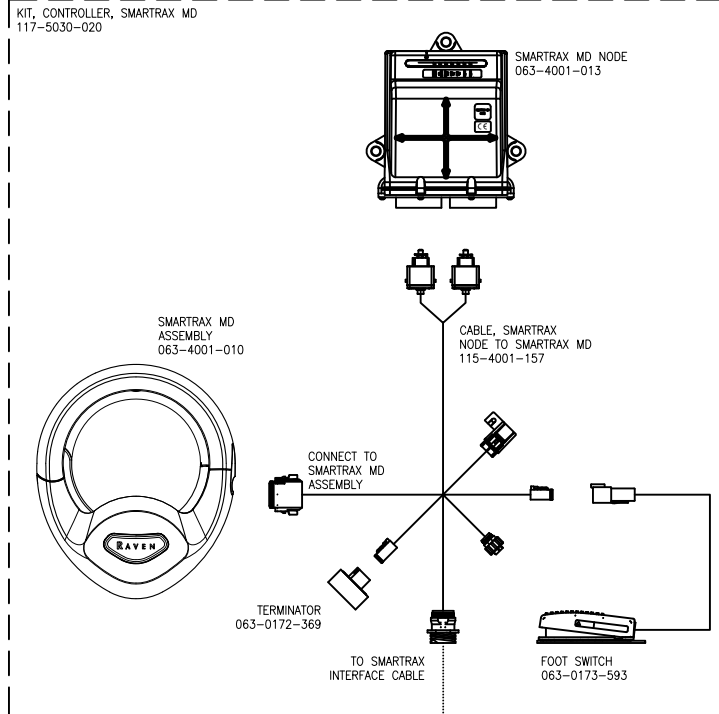


CRUIZER II WITH SMARTRAX MD



RELEASED DATE	ECO NO.	PROD. MGR.	SERV. MGR.	PROD. CHAMP.	ENG.	DRAFT.	REV.	DRAWING NO.
10/20/14	23870	NDM	-	SAH	CRM	RRS	A	054-2240-002