

# CRUIZER WR RTK SMARTRAX W/SLINGSHOT

D

C

B

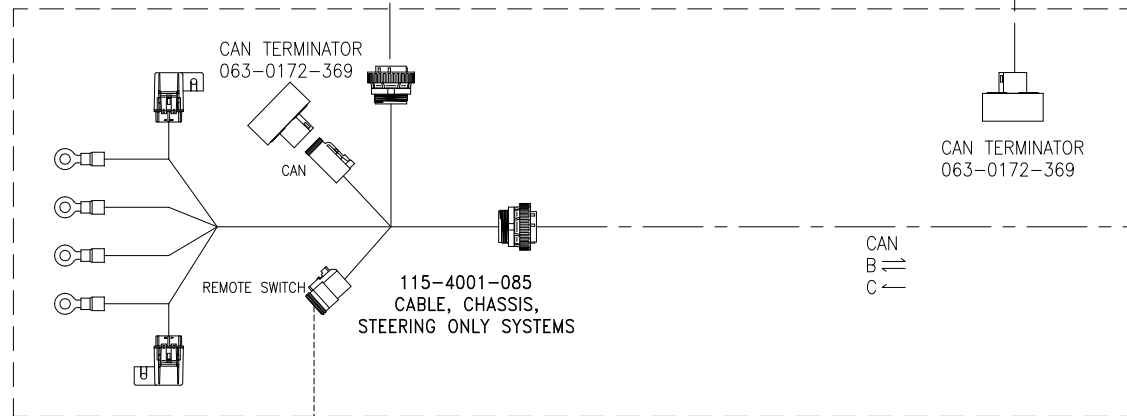
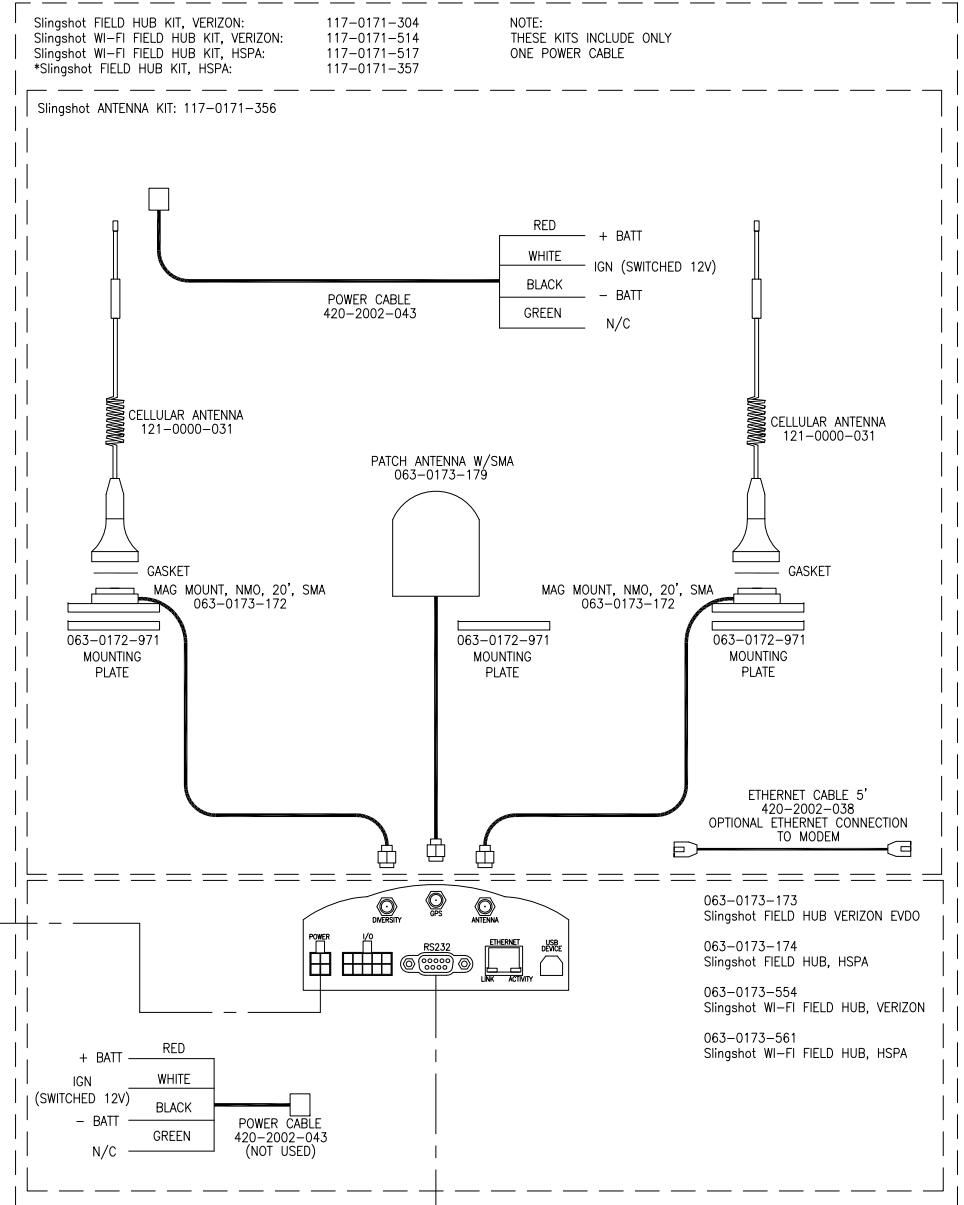
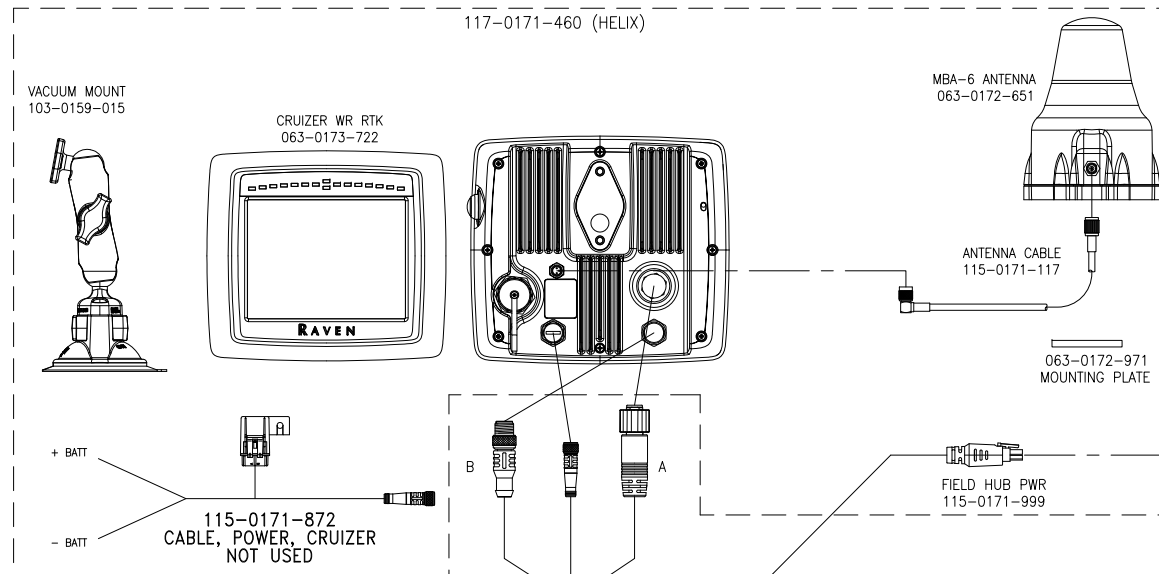
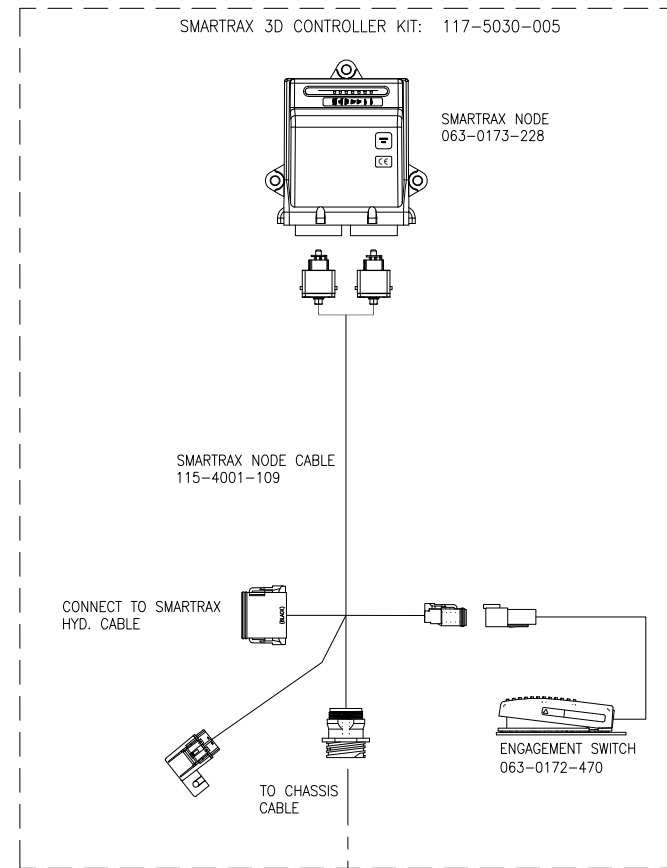
A

D

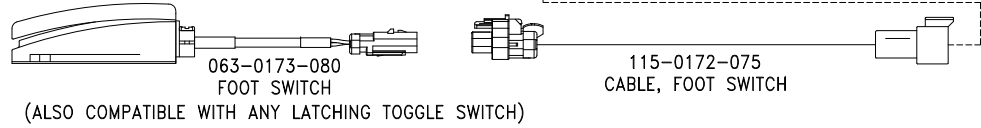
C

B

A



BATTERY CONNECTIONS:  
POSITIVE CONNECTIONS  
ARE FUSED.



OPTIONAL:  
REMOTE SWITCH KIT  
117-0171-298

REMOTE SWITCH EXTENSION CABLE 20'  
115-0171-501

RELEASED DATE	ECO NO.	PROD. MGR.	SERV.	PROD. CHAMP.	ENG.	DRAFT.	REV.	DRAWING NO.
11/20/12	E19388	TPH	AT	NRP	LDE	JJP	A	054-2230-003
10/20/14	E23833	NDM	-	SAH	CRM	JJP	B	054-2230-003