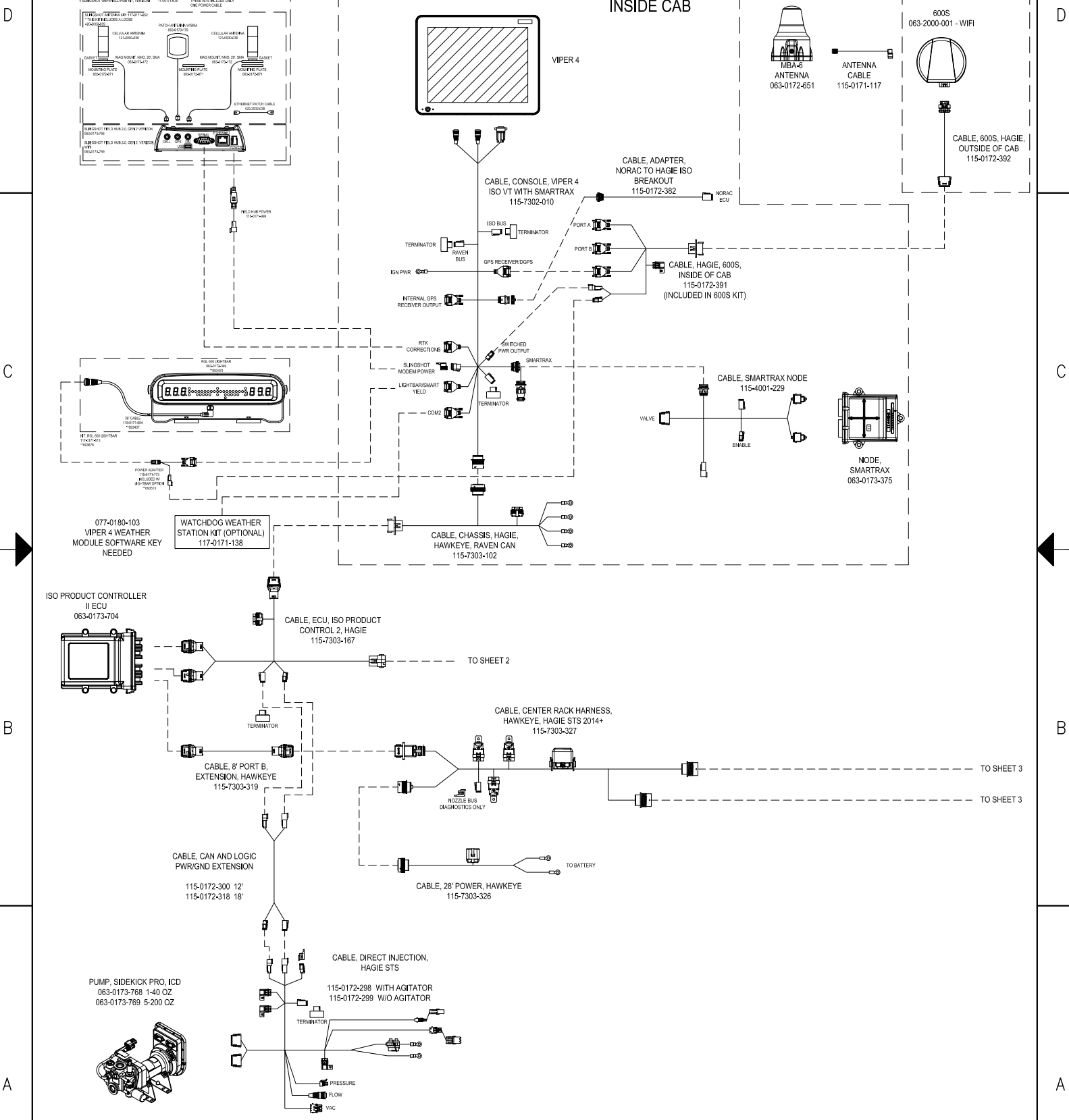


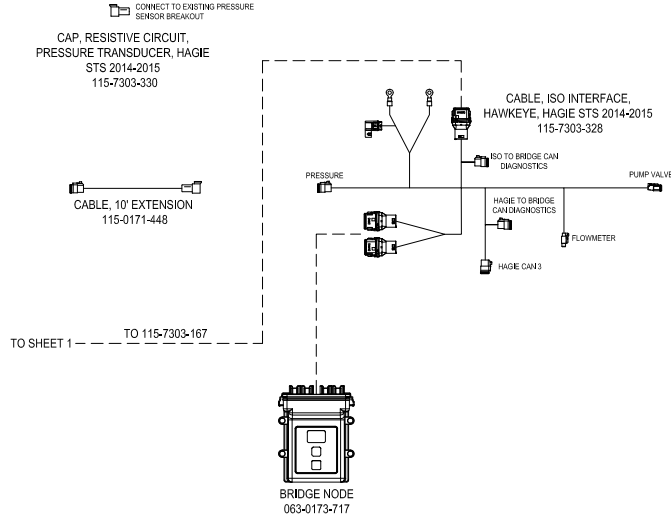
HAGIE HAWKEYE, STS, MY2014-MY2017

VIPER 4 W/GPS: 117-5010-012 [893642]
 VIPER 4+ W/GPS: 117-5010-044 [894105]
 VIPER 4+ W/O GPS: 117-5010-052 [891727]

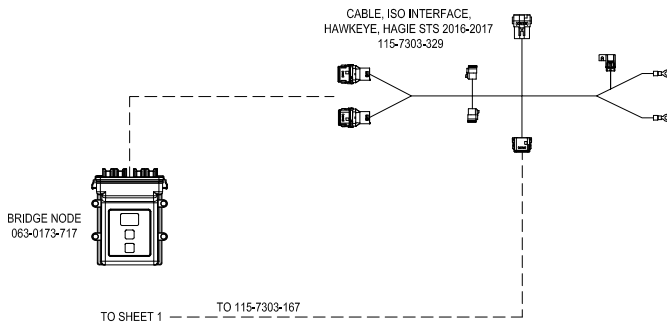


RELEASED DATE	ECO NO.	PROD. MGR.	SERV.	PROD. CHAMP.	ENG.	DRAFT.	REV.	DRAWING NO.
12/23/16	28936				TLB3	JJP	A	054-3002-016
1/25/17	29034		CCR		TLB3	JJP	B	054-3002-016

HAGIE HAWKEYE, STS, MY2014-MY2015 ECU, PRODUCT CONTROL CONNECTIONS



HAGIE HAWKEYE, STS, MY2016-MY2017 ECU, PRODUCT CONTROL CONNECTIONS

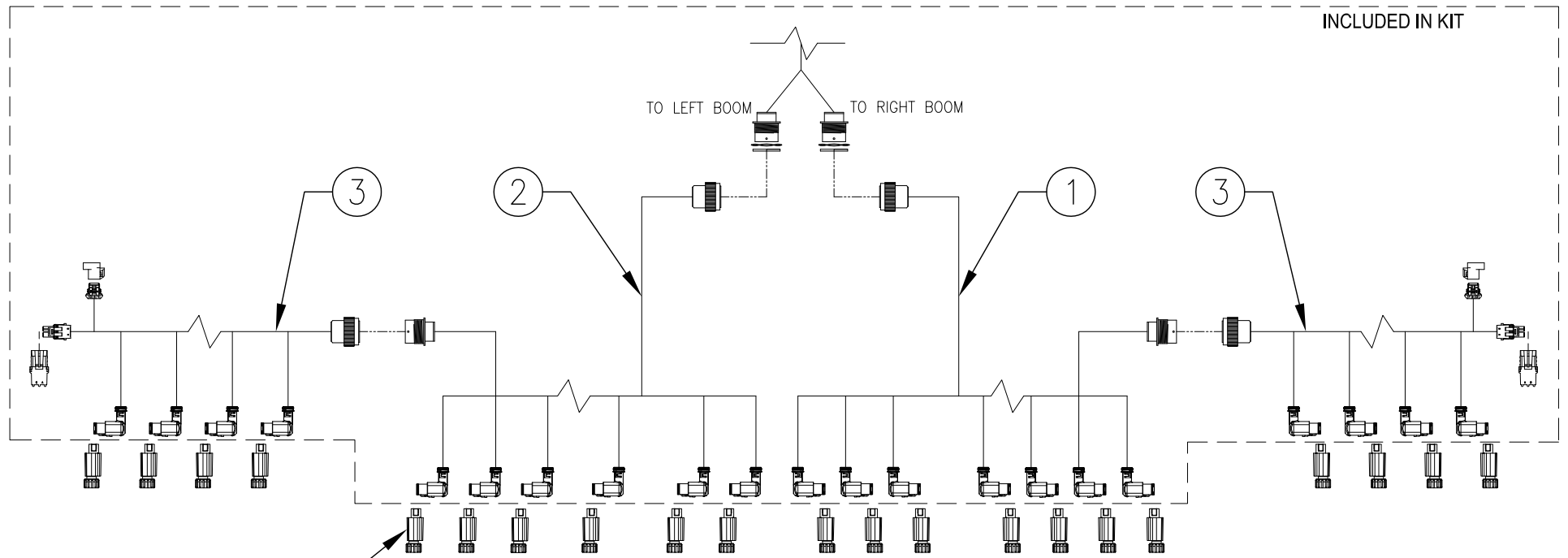


RELEASED DATE	ECO NO.	PROD. MGR.	SERV.	PROD. CHAMP.	ENG.	DRAFT.	REV.	DRAWING NO.
12/23/16	28936				TLB3	JJP	A	054-3002-016
1/25/17	29034		CCR		TLB3	JJP	B	054-3002-016

NOTES:

1. CABLES SHORTENED FOR GRAPHICAL PURPOSES

ITEM	DESCRIPTION	HAGIE STS 2014-2015 90' BOOM 15" SPACING IN KIT P/N: 117-1007-043	HAGIE STS 2016-2017 90' BOOM 15" SPACING IN KIT P/N: 117-1007-044	HAGIE STS 2014-2015 100' BOOM 15" SPACING IN KIT P/N: 117-1007-045	HAGIE STS 2016-2017 100' BOOM 15" SPACING IN KIT P/N: 117-1007-046	HAGIE STS 2014-2015 120' BOOM 15" SPACING IN KIT P/N: 117-1007-040	HAGIE STS 2016-2017 120' BOOM 15" SPACING IN KIT P/N: 117-1007-041
1	CABLE, RIGHT PRIMARY	115-7303-345	115-7303-345	115-7303-345	115-7303-345	115-7303-095	115-7303-095
2	CABLE, LEFT PRIMARY	115-7303-346	115-7303-346	115-7303-346	115-7303-346	115-7303-096	115-7303-096
3	CABLE, SECONDARY (QTY: 2)	115-7303-347	115-7303-347	115-7303-348	115-7303-348	115-7303-097	115-7303-097
4	WILGER NCV	063-0173-674 (QTY: 73)	063-0173-674 (QTY: 73)	063-0173-674 (QTY: 81)	063-0173-674 (QTY: 81)	063-0173-674 (QTY: 97)	063-0173-674 (QTY: 97)



RELEASED DATE	ECO NO.	PROD. MGR.	SERV.	PROD. CHAMP.	ENG.	DRAFT.	REV.	DRAWING NO.
12/23/16	28936				TLB3	JJP	A	054-3002-016
1/25/17	29034		CCR		TLB3	JJP	B	054-3002-016