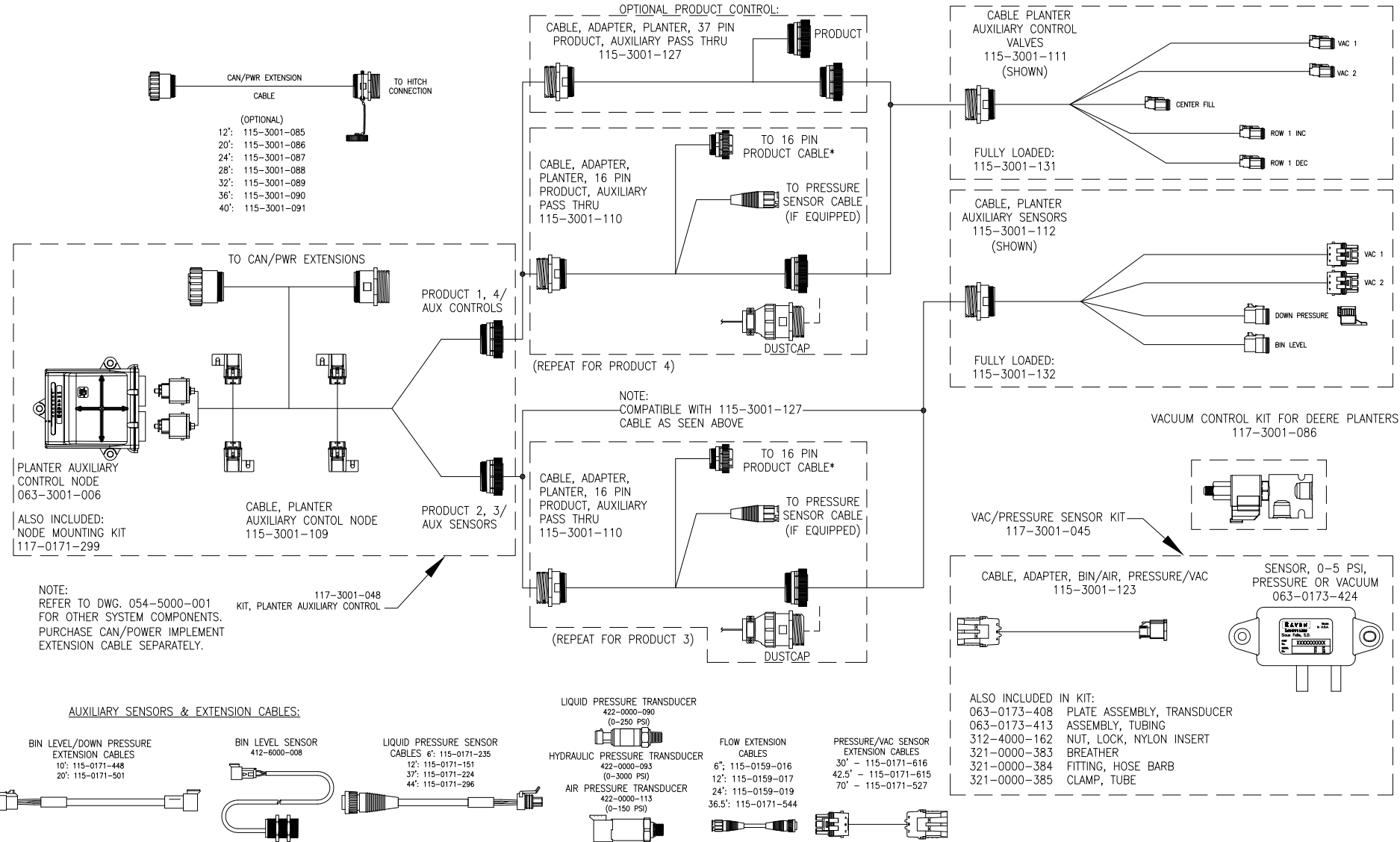
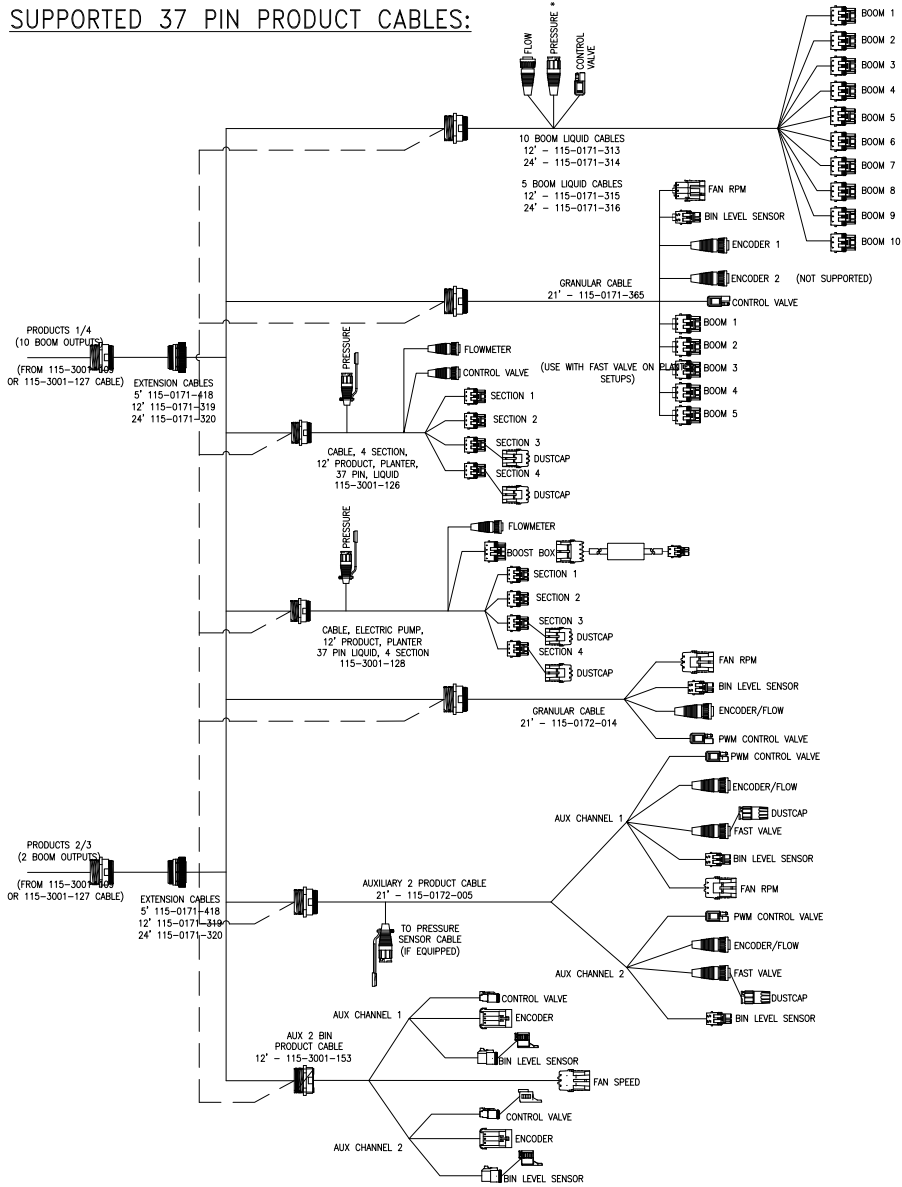


PLANTER AUXILIARY CONTROL SYSTEM

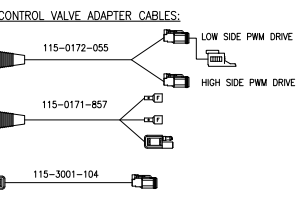
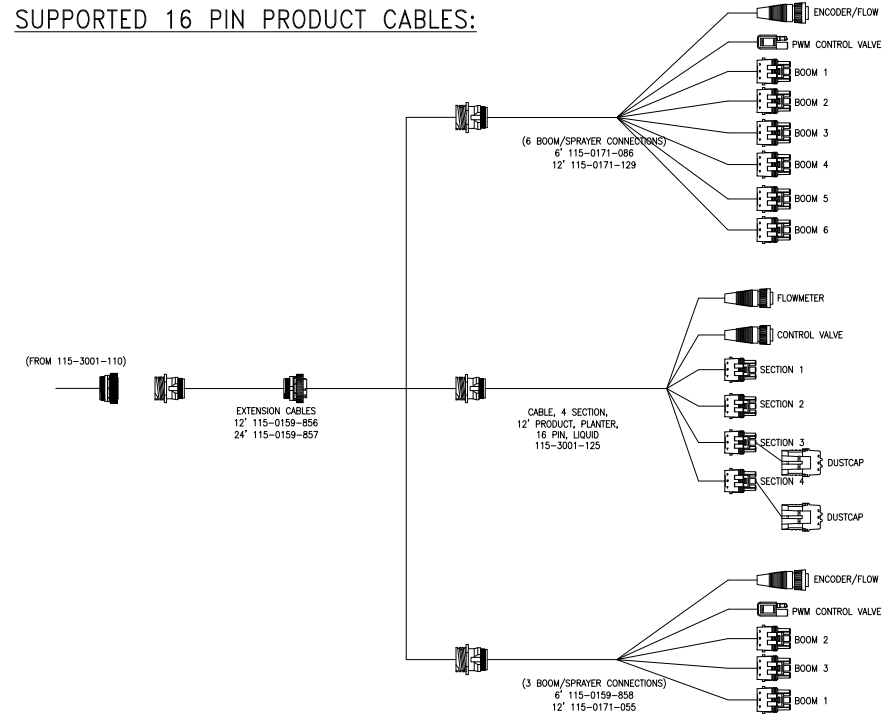


RELEASED DATE	ECO NO.	PROD. MGR.	SERV.	PROD. CHAMP.	ENG.	DRAFT.	REV.	DRAWING NO.
7/31/12	E18910	DSP	AT	BSG	CRS	JJP	A	054-3001-048
3/22/13	E20584	DSP	AT	SK	CRS	AJK2	B	054-3001-048

SUPPORTED 37 PIN PRODUCT CABLES:



SUPPORTED 16 PIN PRODUCT CABLES:



SYSTEM LIMITATIONS:
 1. EPRO V3.4 LIMITED TO 4 SECTIONS IN PLANTER MODE.
 2. AVAILABLE SECTION VALVE OUTPUTS COMPROMISED AS NUMBER OF AUXILIARY CONTROLS ARE ENABLED

RELEASED DATE	ECO NO.	PROD. MGR.	SERV.	PROD. CHAMP.	ENG.	DRAFT.	REV.	DRAWING NO.
7/31/12	E18910	DSP	AT	BSG	CRS	JJP	A	054-3001-048
3/22/13	E20584	DSP	AT	SK	CRS	AJK2	B	054-3001-048